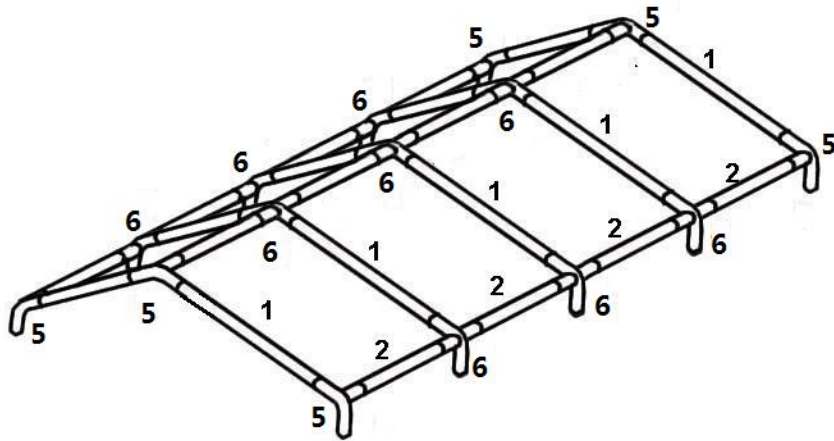


4x8M PE PARTY TENT

I

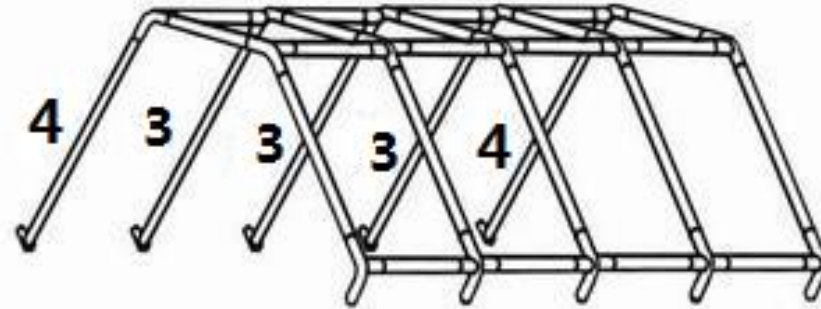
Select a flat ground for the tent, unpack the carton and check all the parts including tubes, tent and accessories... etc. are present as same as list.

Assemble the framework of rooftop by joining the portion (5. 6) together with poles (1.2). To ensure the screw fixed to every pole tightly .



II

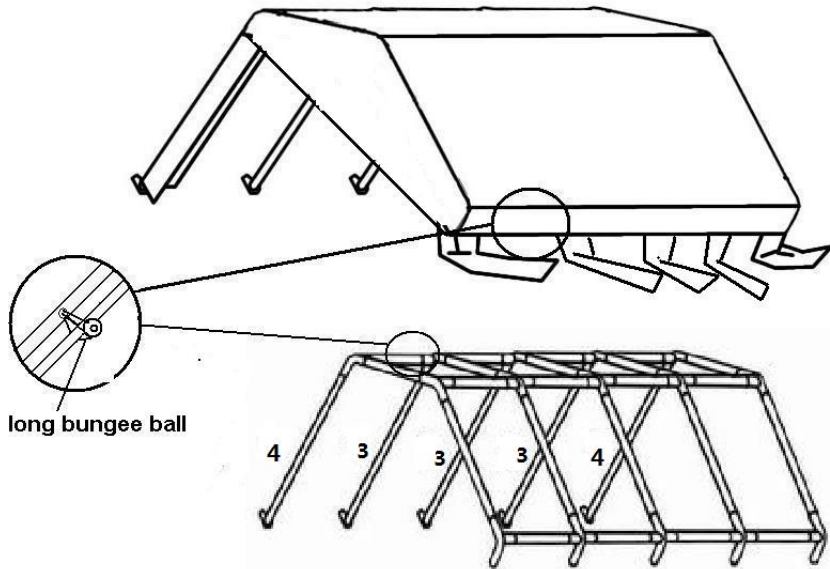
Attach one end of supported pole (3) to the joints (4, 5)



4x8M PE PARTY TENT

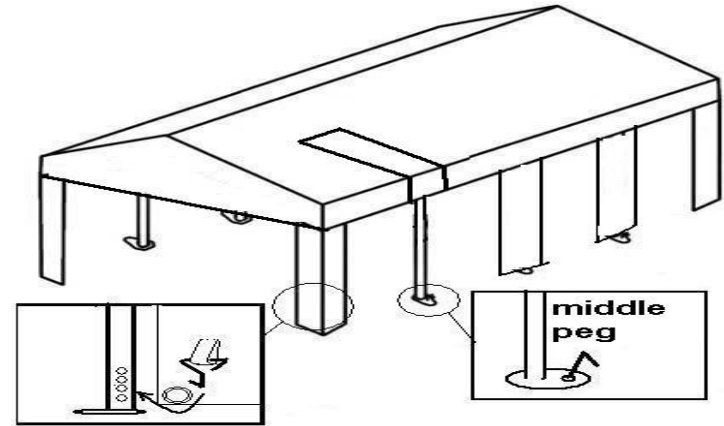
III

Cover the roof on the frame ,and attach it by the bungee balls properly ,take care of the tension of the bungee balls ,for if you use too many on one side of tent ,it may too tight to tie the other side of it .



IV

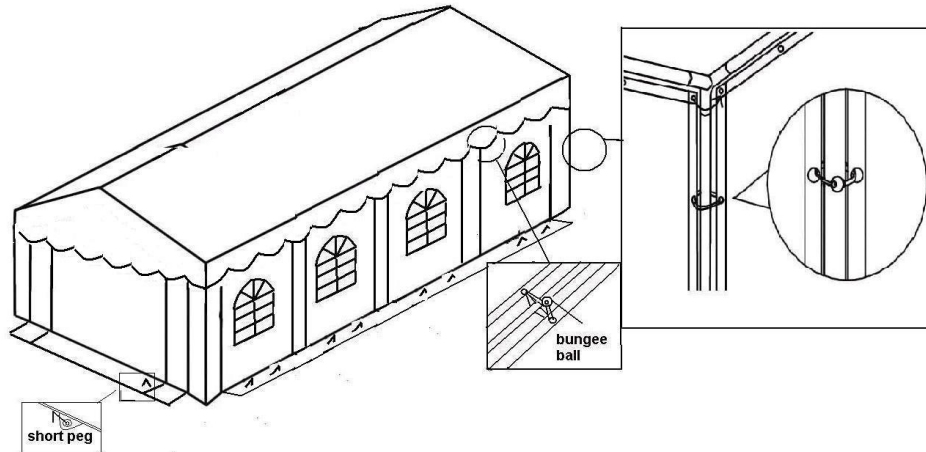
Attach another supported poles (3,4) to the joints (5, 6), built-up the framework, use the 6x180mm peg to fix each pole into the ground and use the hook to fix the leg cover to the leg. .



4x8M PE PARTY TENT

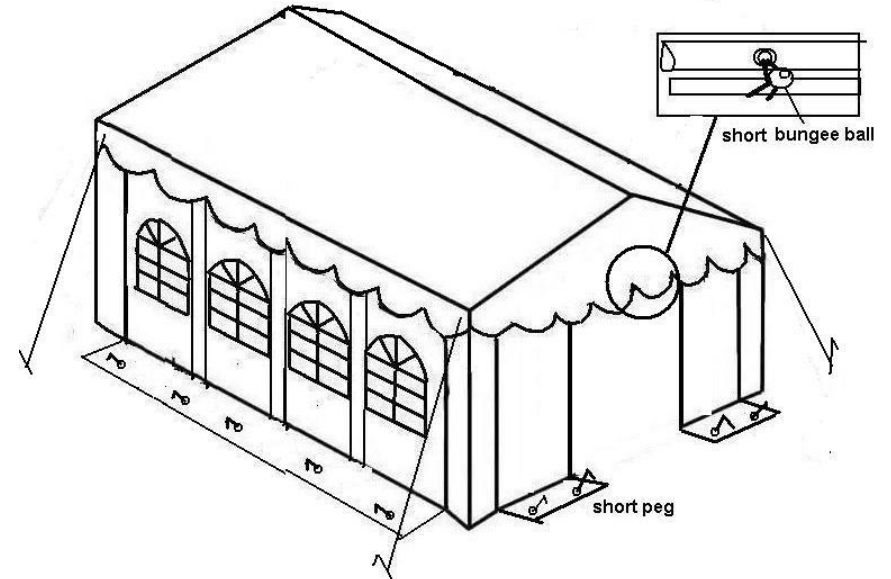
V

Spread the wall panel and door panel attach to framework by using the bungee cords clasp the frame to grommets that is construct over the wall panel and door panel to ensure stability. Also use the 4x180mm pegs to fix the doors to the ground. .



VI

The Guy lines clasp to each corner of tent and another end of line fix to ground by pegs 8x300mm.



. Warning

1. In order to avoid being rusted by air, oil is covered on the surface of the pipes, before set up the tent, please remove the oil carefully first to keep the cover clean.
2. Take note that the tent needs to be handled carefully to avoid damage.
3. Do not force the frame as they may be damage in the process.
4. Tents are meant as temporary shelter and must be evacuated under extreme weather conditions.
5. Please select a suitable site for the tent to avoid the damage to underground sprinkler systems, water, gas or electrical lines.