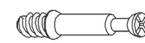
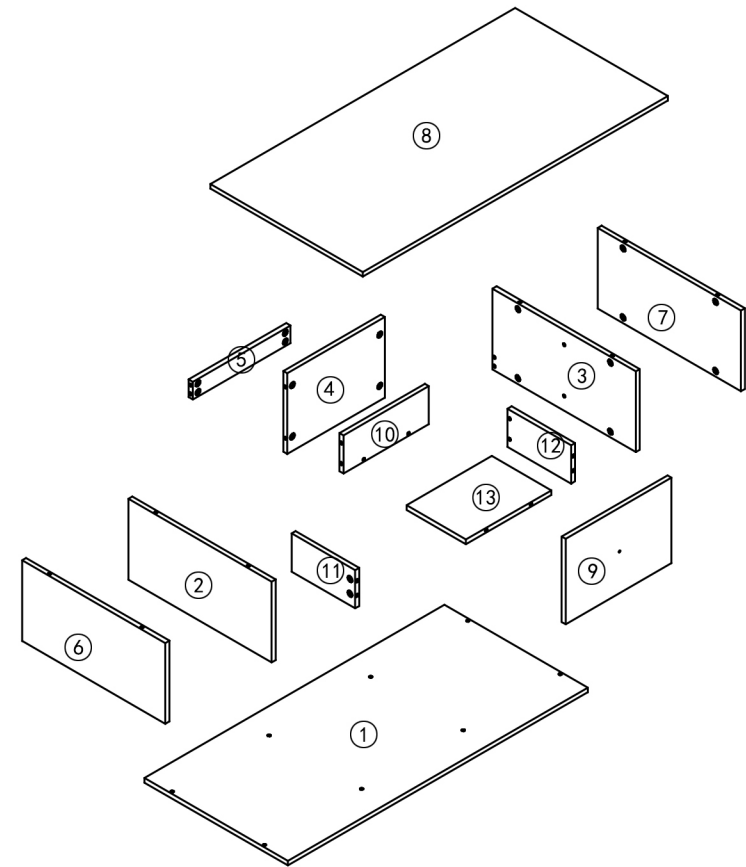
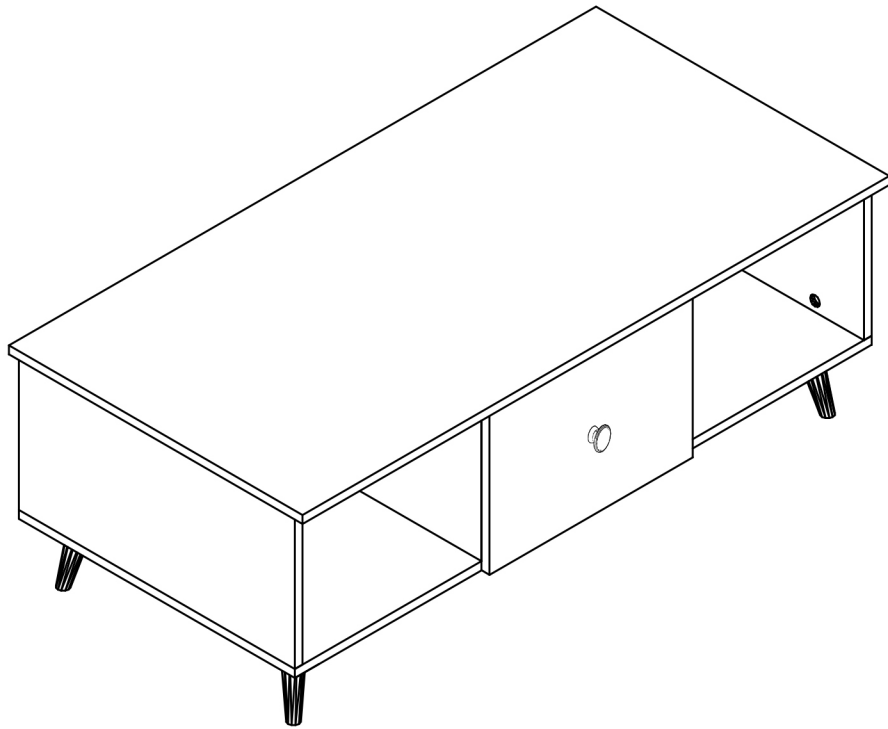


ASSEMBLY INSTRUCTION

Please follow the steps below are combined to install, if in doubt, please consult customer service for answers please consult customer service for answers



A*36



B*36



C*26



D*1



E*2

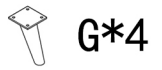
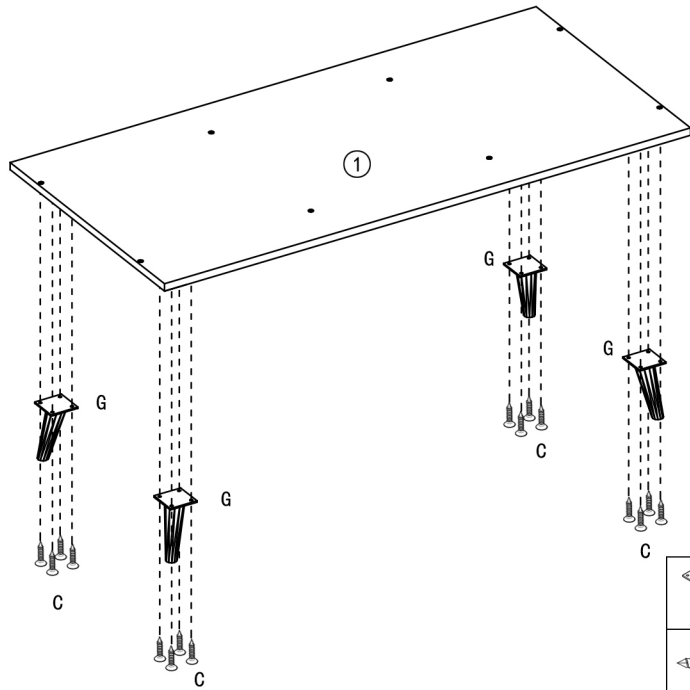


F*1

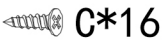


G*4

STEP 1

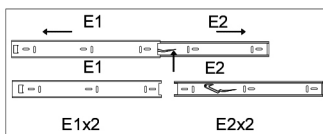
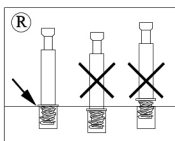
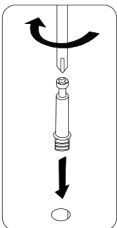
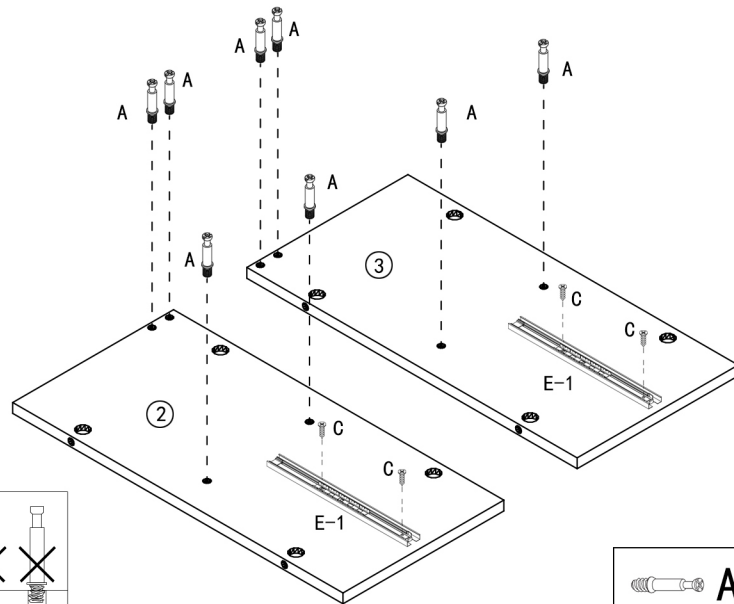


G*4



C*16

STEP 2



A*8

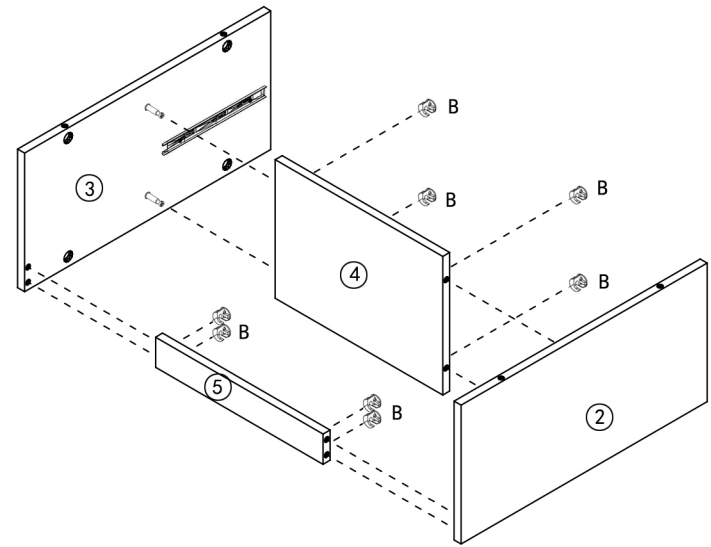


E-1*2



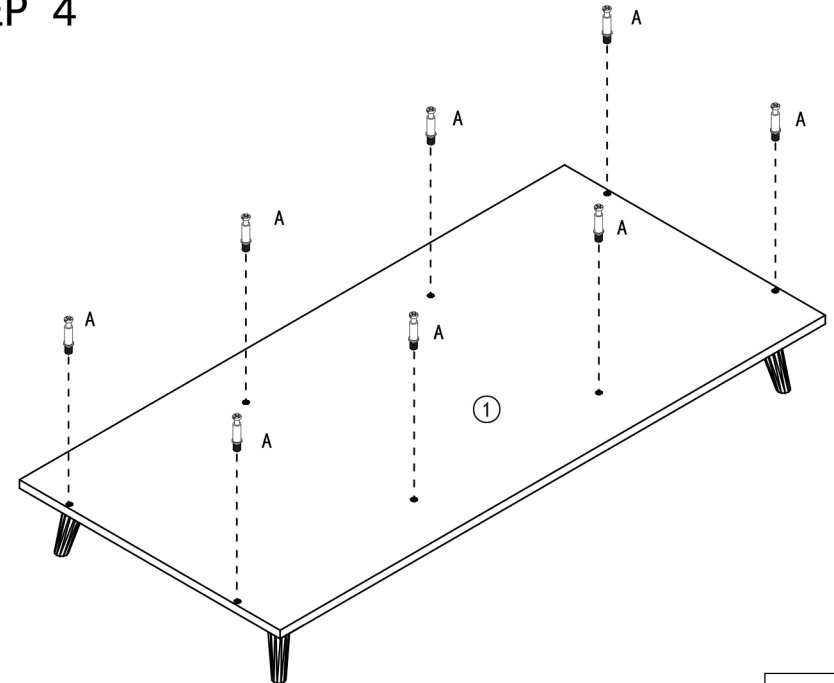
C*4

STEP 3



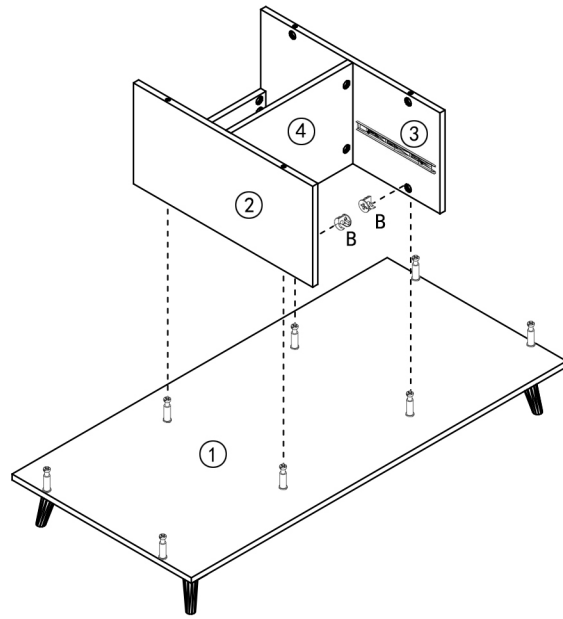
B*8

STEP 4



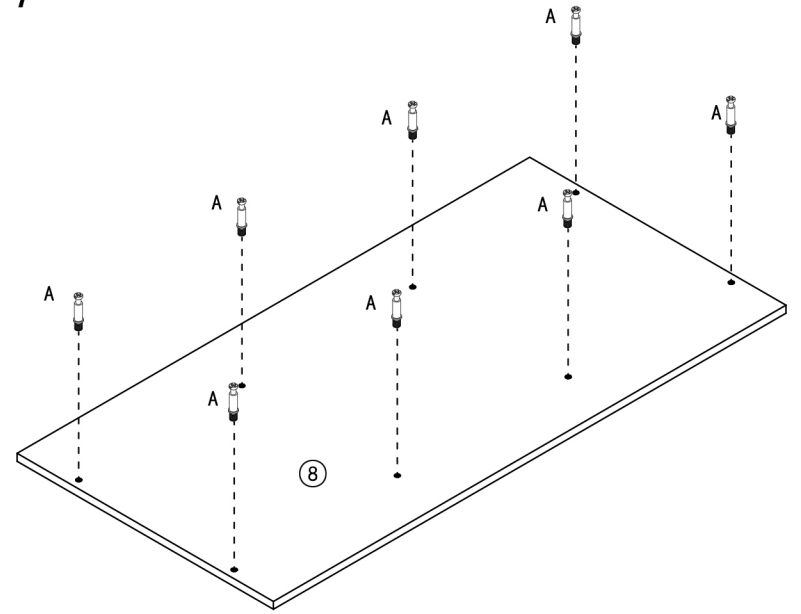
A*8

STEP 5



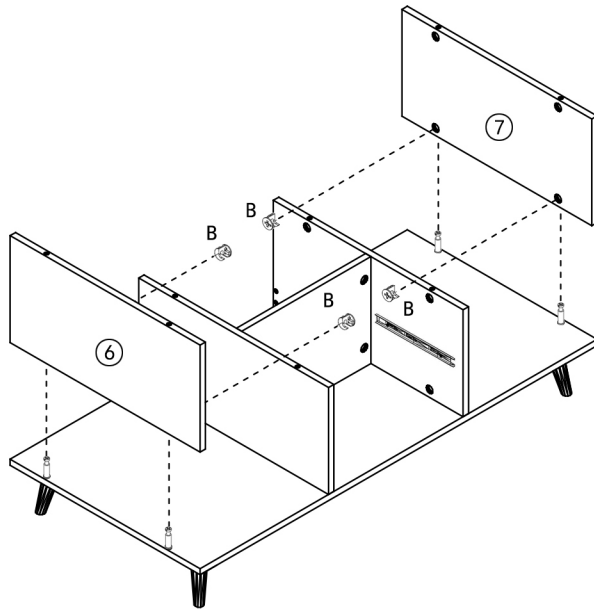
 B*4

STEP 7



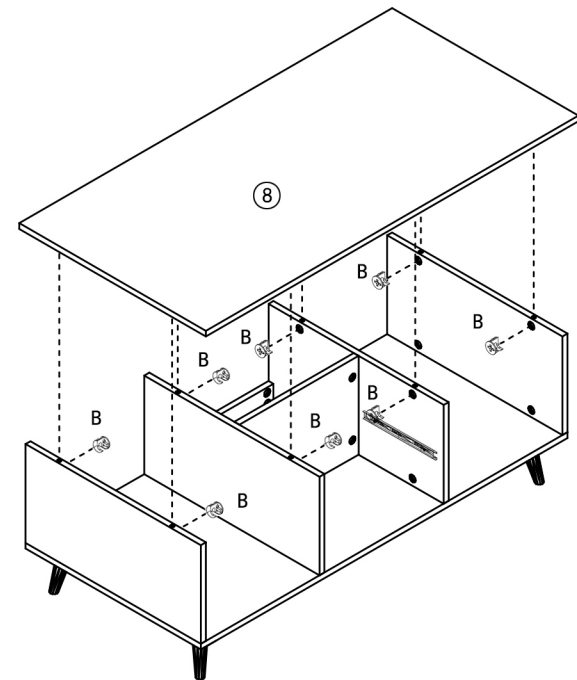
 A*8

STEP 6



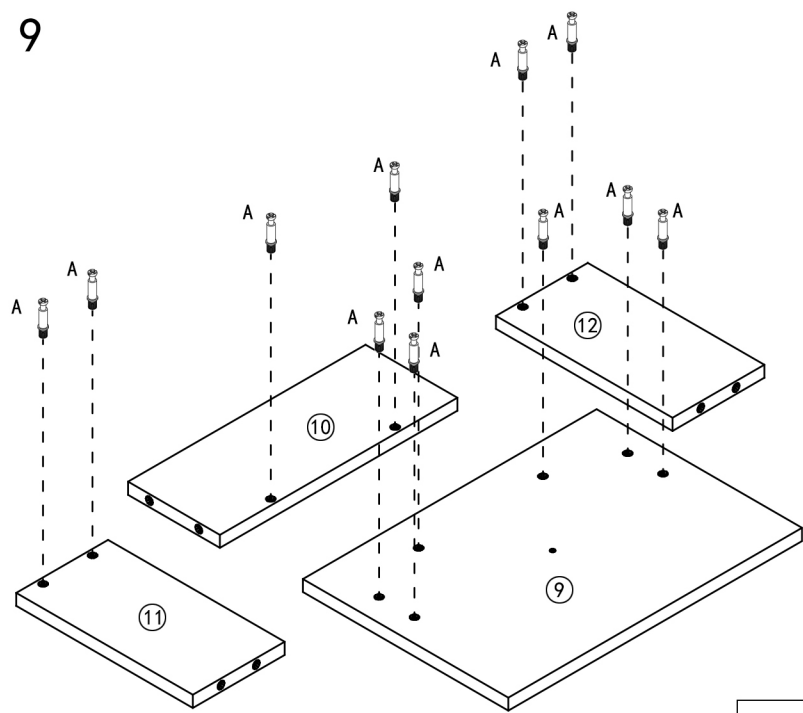
 B*4

STEP 8



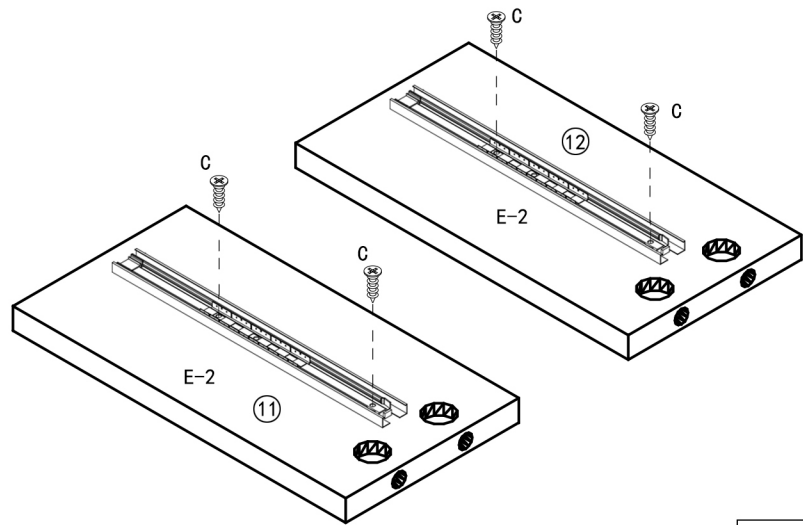
 B*8

STEP 9



 A*12

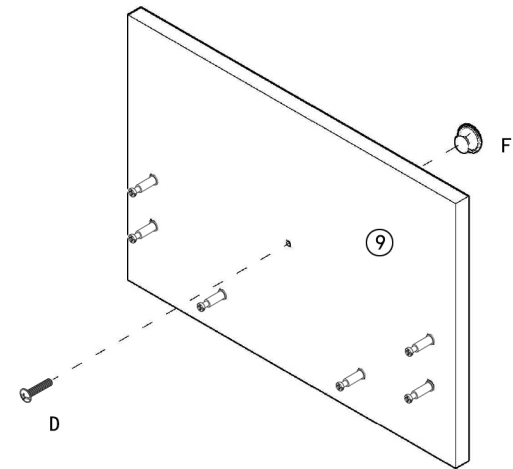
STEP 10



 E-2*2

 C*4

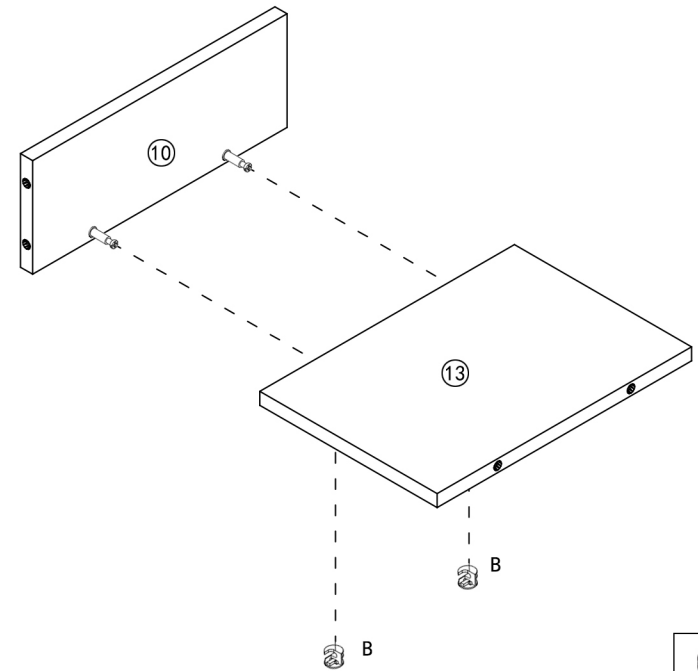
STEP 11




 F*1

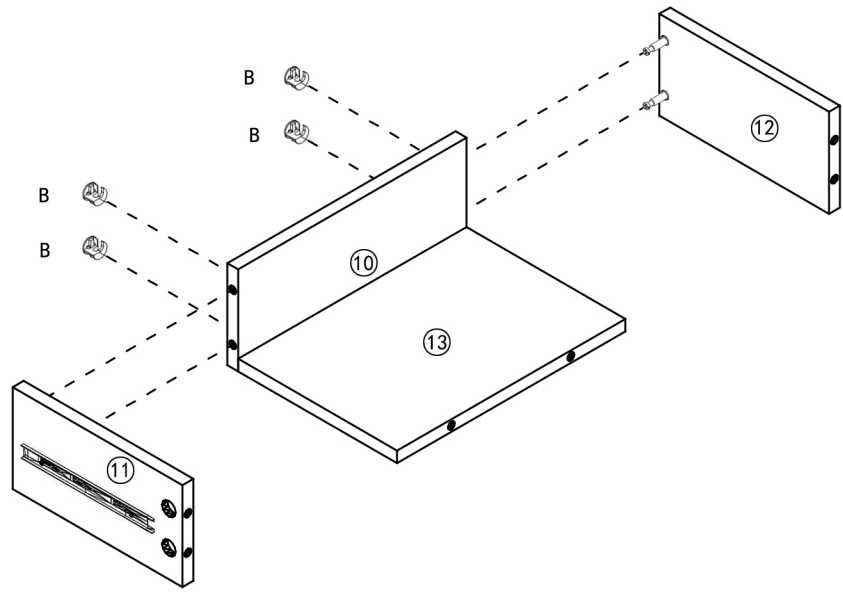
 D*1

STEP 12



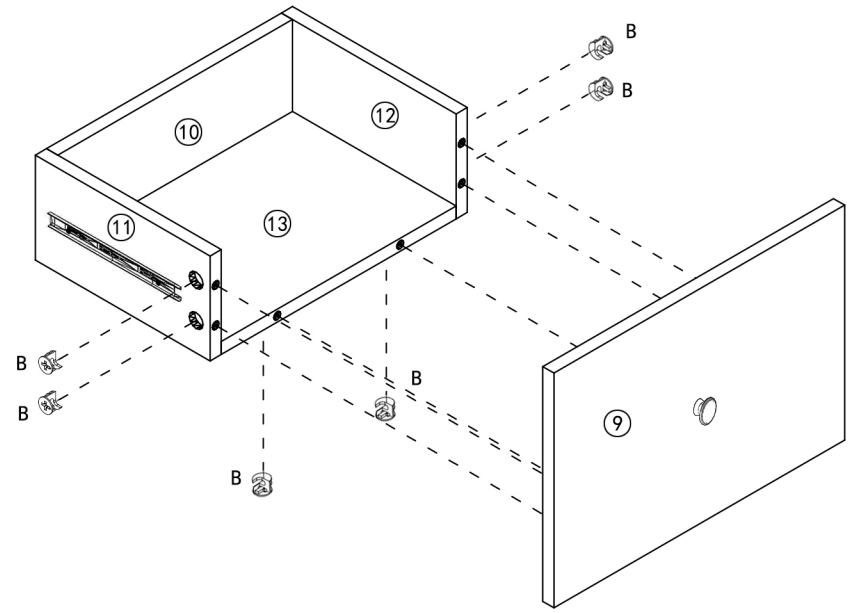
 B*2

STEP 13



 B*4

STEP 14



 B*6

STEP 15

