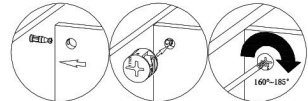
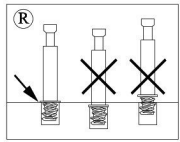
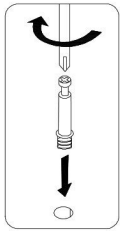
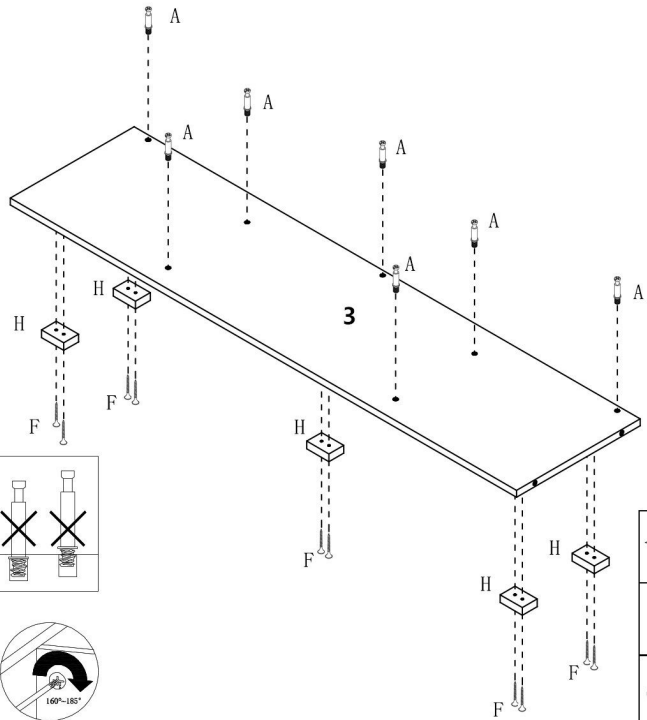
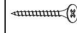


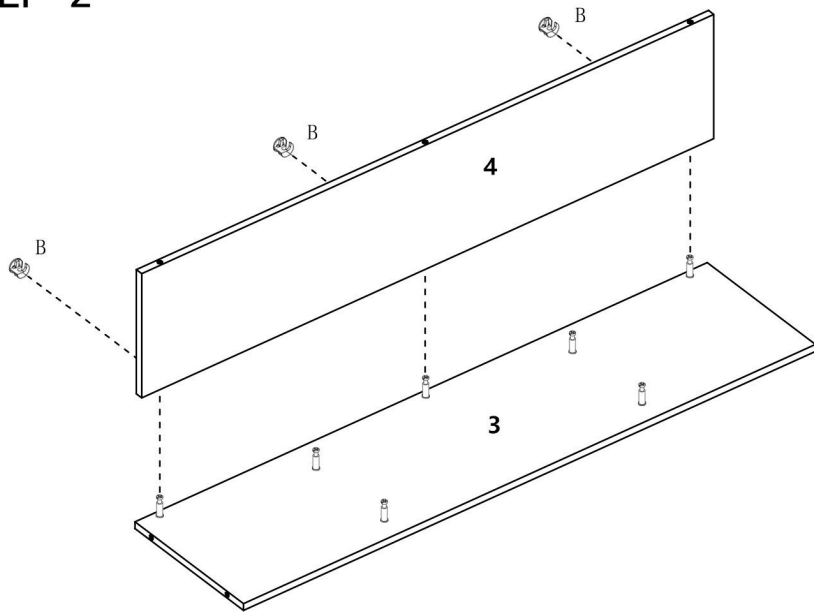


# STEP 1



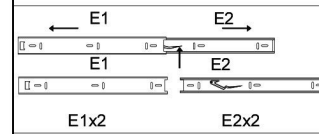
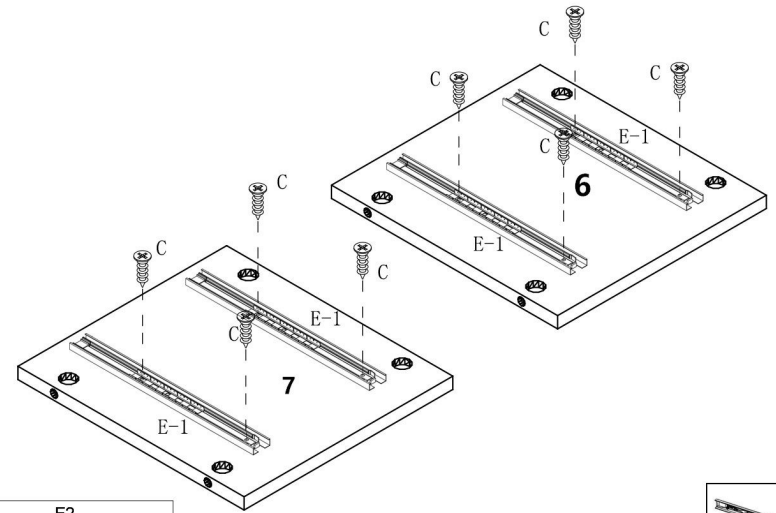
-  F\*10
-  H\*5
-  A\*7



# STEP 2



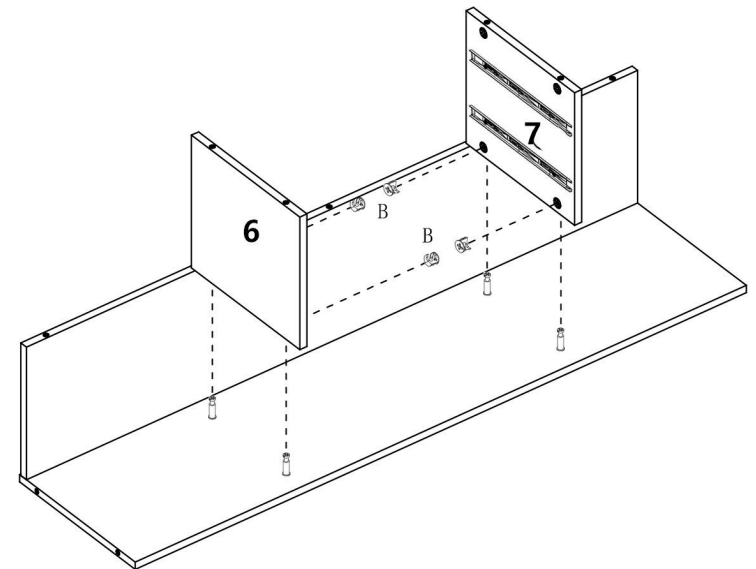
-  B\*3

# STEP 3



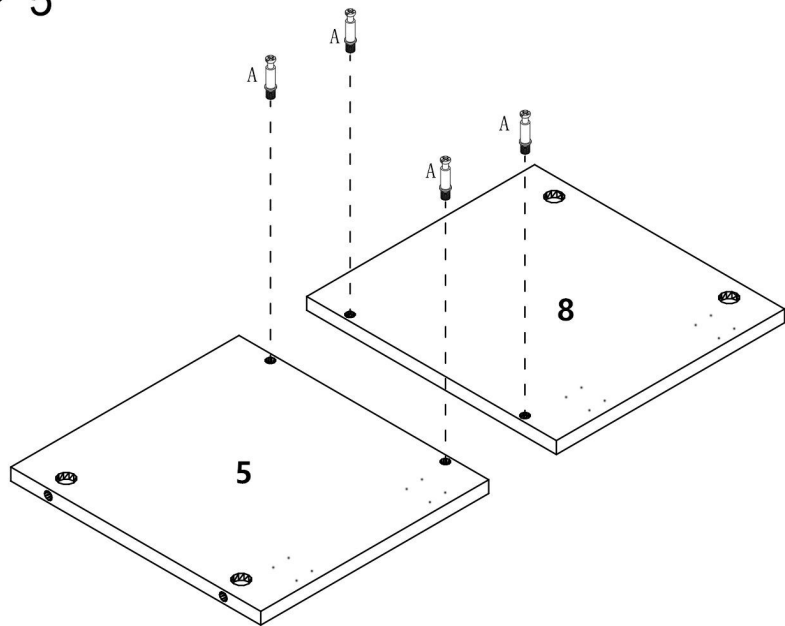
-  E-1\*4
-  C\*8

# STEP 4



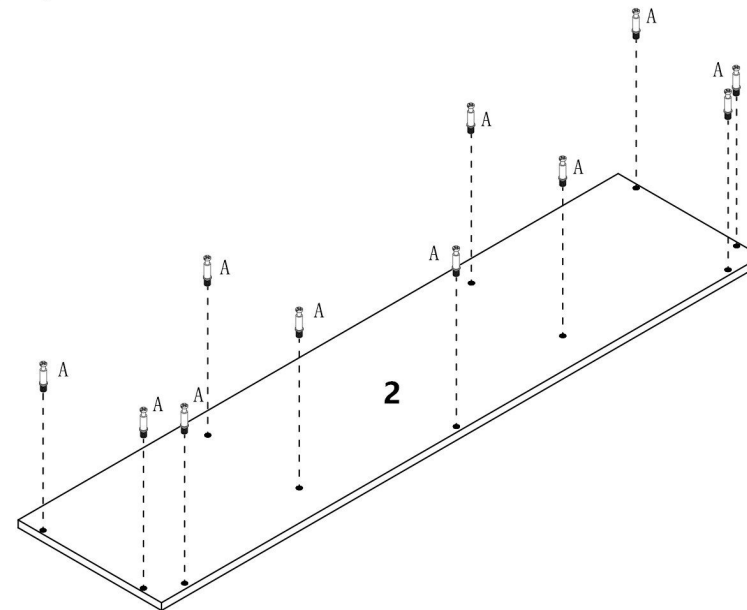
-  B\*4

### STEP 5



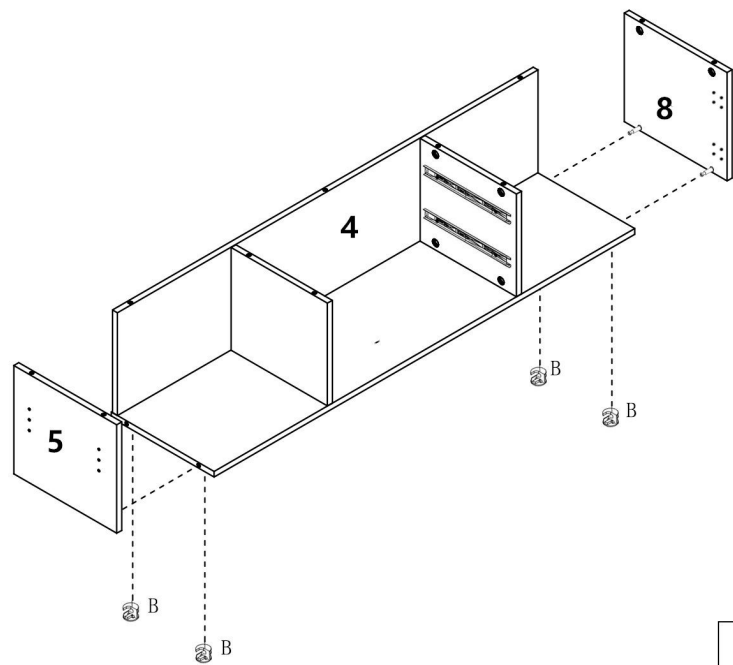
 A\*4

### STEP 7



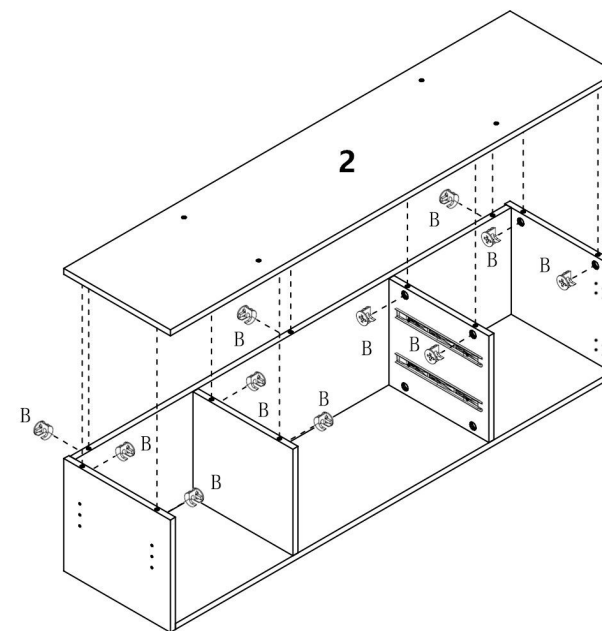
 A\*11

### STEP 6



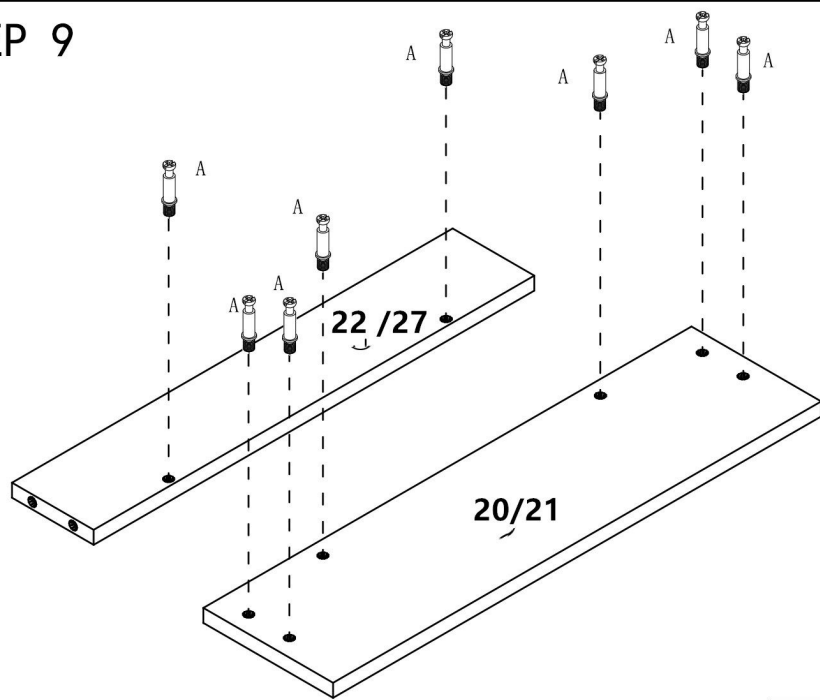
 B\*4

### STEP 8



 B\*11

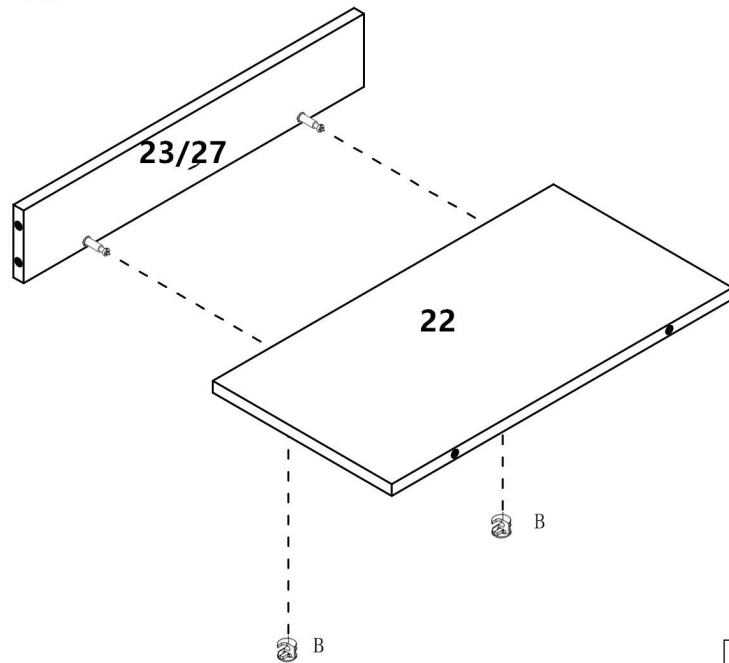
# STEP 9



Repeat this step twice

 A\*16

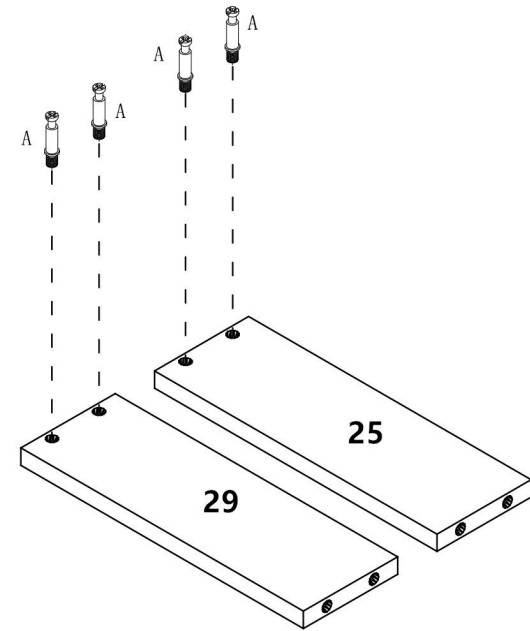
# STEP 10



Repeat this step twice

 B\*4

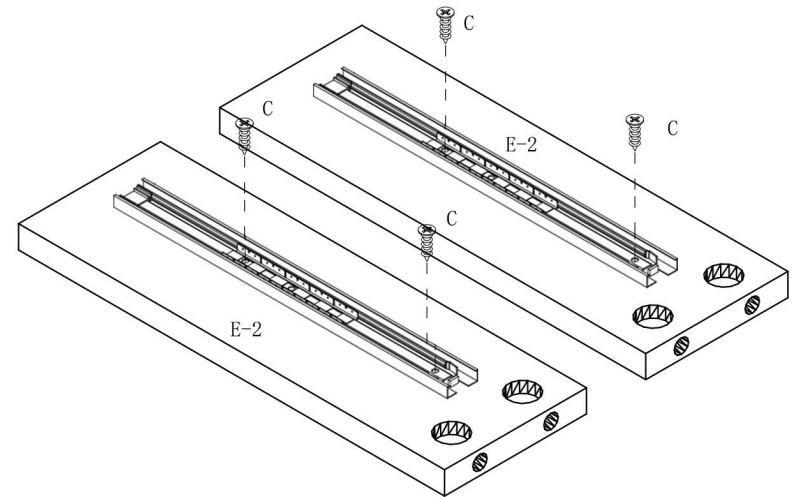
# STEP 11



Repeat this step twice

 A\*8

# STEP 12

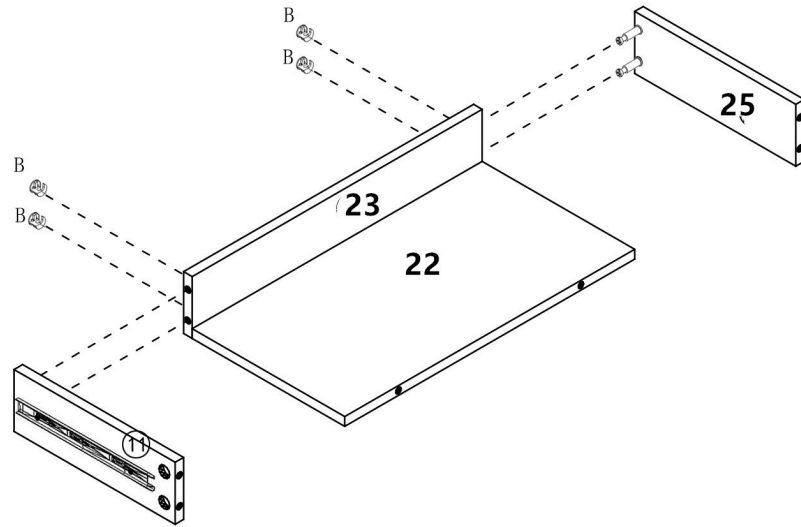


Repeat this step twice

 E-2\*4

 C\*8

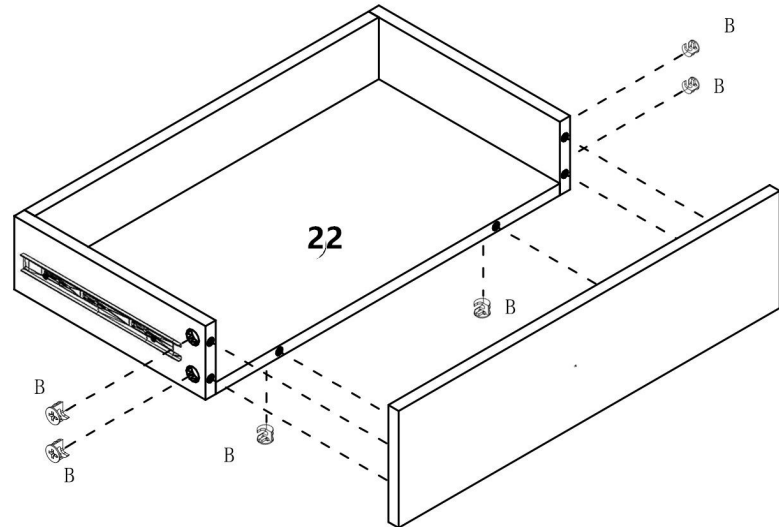
# STEP 13



Repeat this step twice

 B\*8

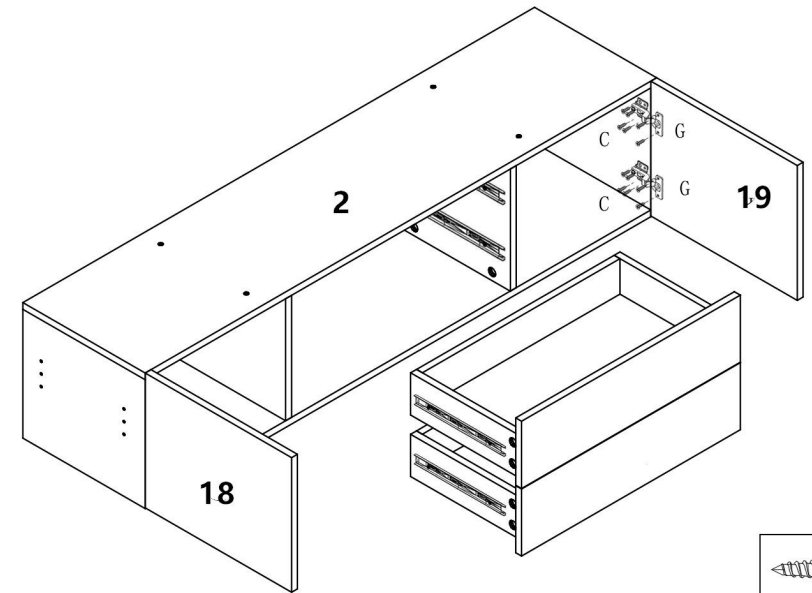
# STEP 14



Repeat this step twice

 B\*12

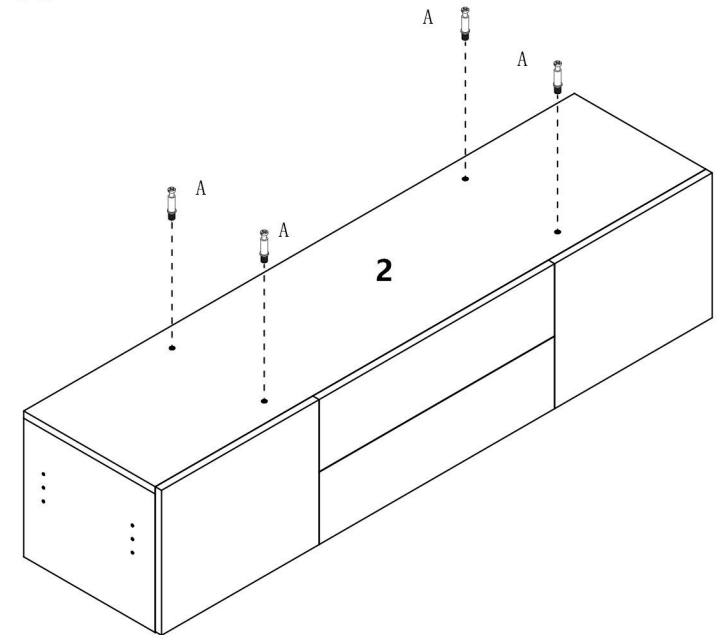
# STEP 15



 C\*24

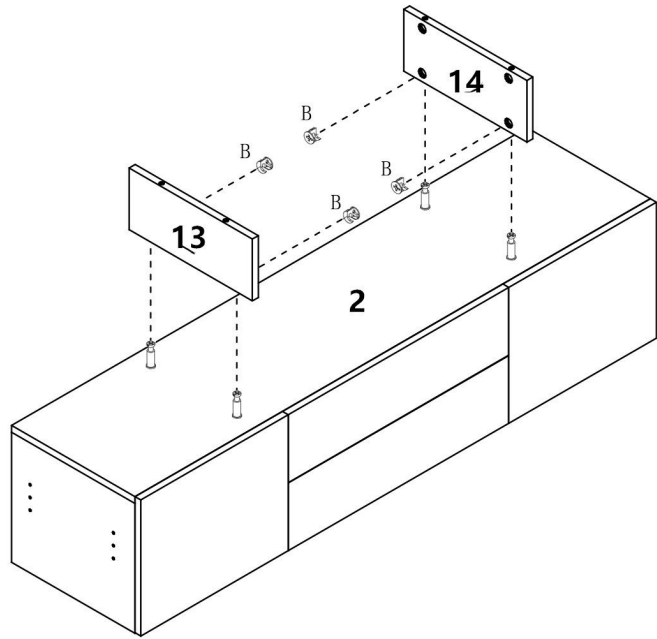
 G\*4

# STEP 16

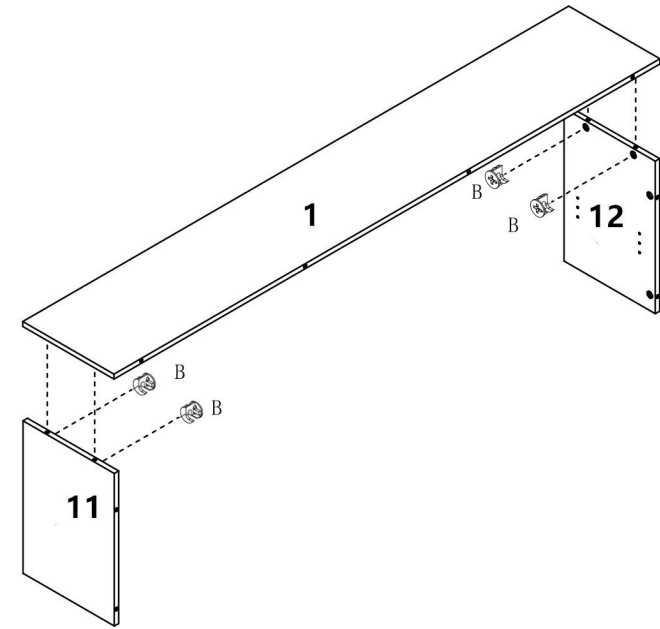


 A\*4

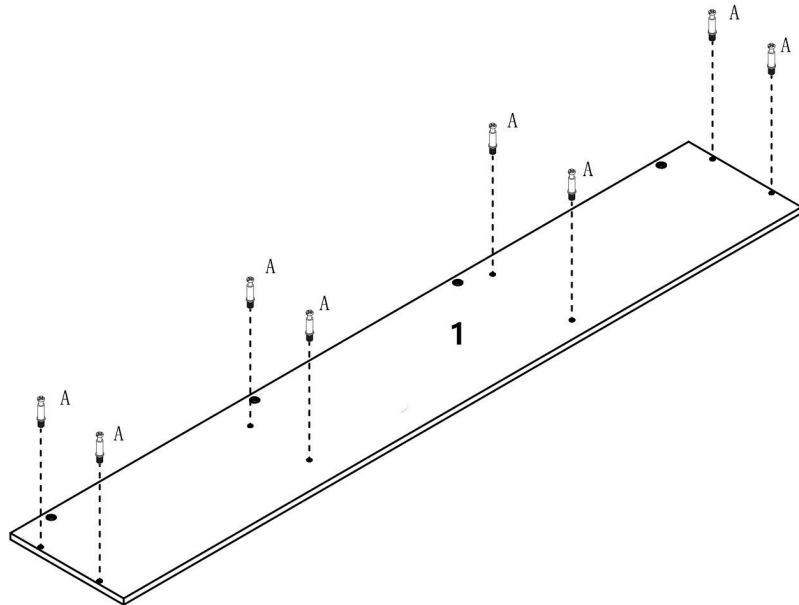
### STEP 17



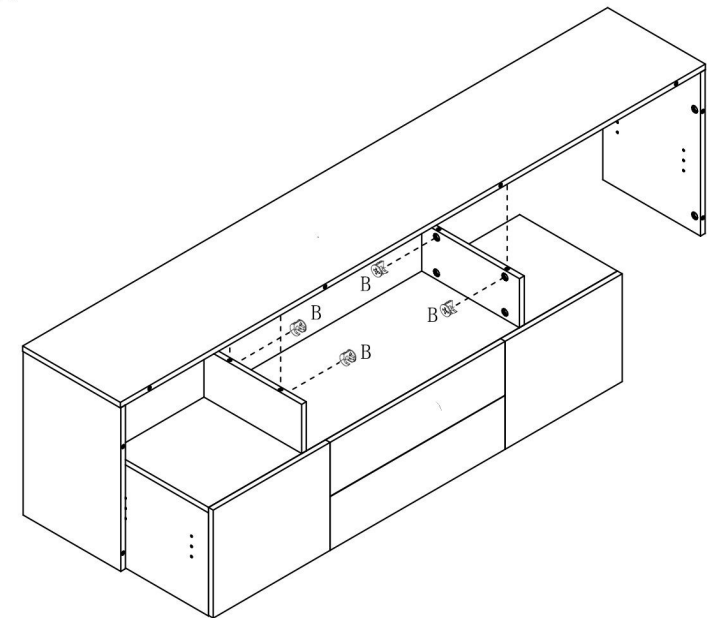
### STEP 19



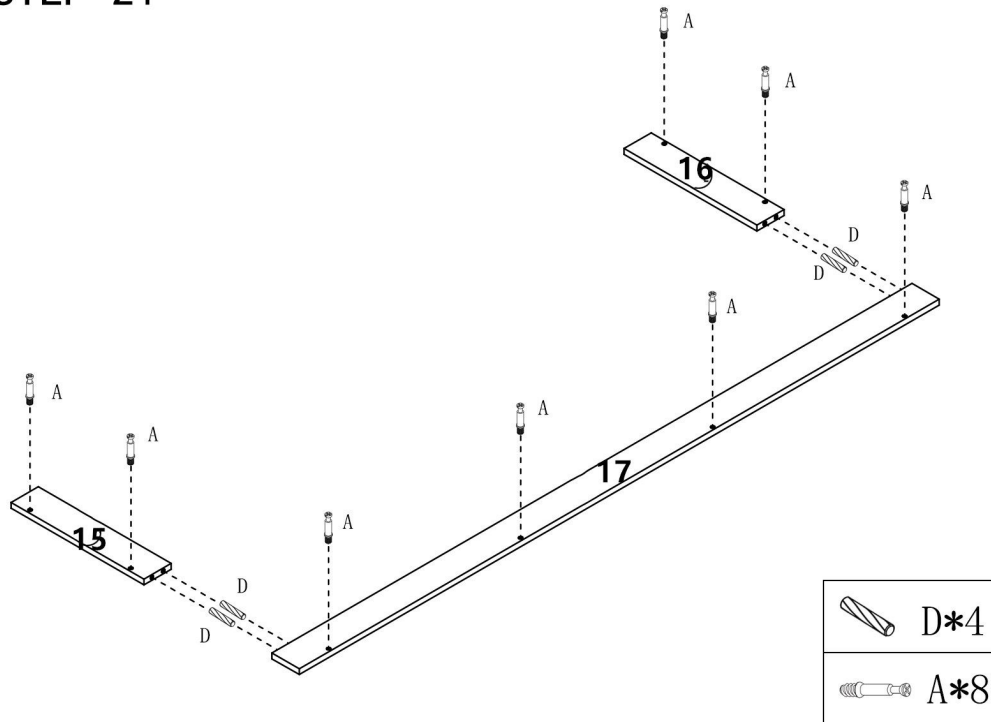
### STEP 18



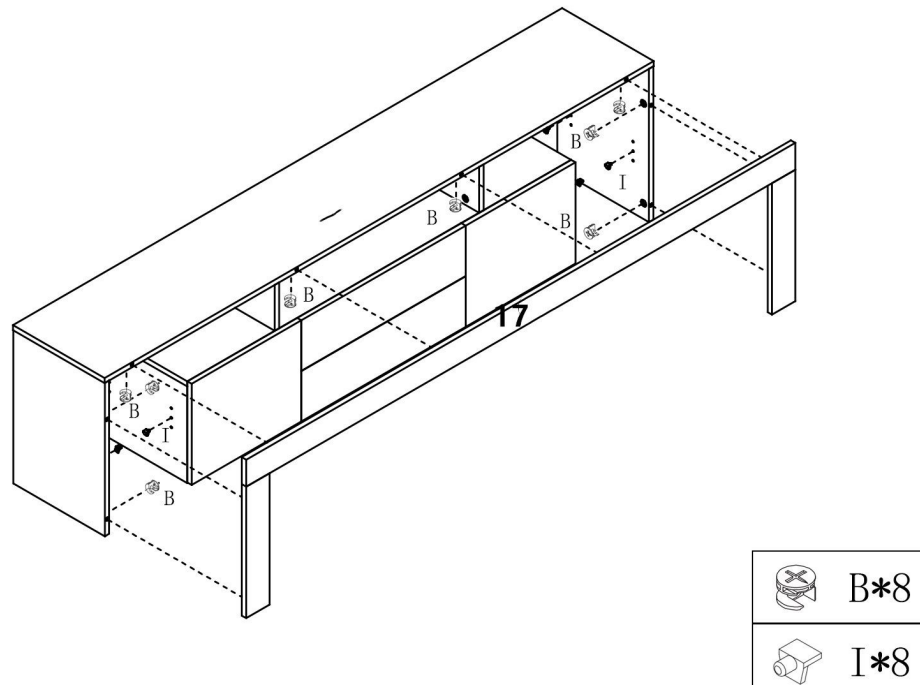
### STEP 20



## STEP 21



## STEP 22



## STEP 23

