

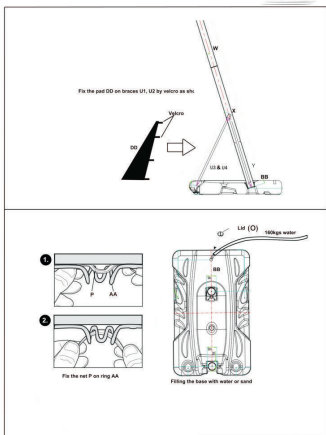
027英文

SEABOS

INSTRUCTION MANUAL FOR PORTABLE BASKETBALL STAND



Notice to assemblers:
All the basketball systems, including those used for displays, must be assembled and ballholed according to instructions. Failure to follow instructions could result in serious injury. Please read all warnings and cautions before assembly. It is recommended to supervise children as they play with this product. This product is to be assembled by 4 adults only!
We appreciate your purchasing one of our many fine products. We are assure that you will be very satisfied with your selection.



SAFETY INSTRUCTIONS

Owner must ensure that all players know and follow these rules for safe operation of the system.

To ensure safety, do not attempt to assemble this system without following the instructions carefully. Check entire box and inside all packing material for parts and/or additional instruction material. Before beginning assembly, read the instructions and identify parts using the hardware identifier and parts list in this document. Proper and complete assembly, use, and supervision are essential for proper operation and to reduce the risk of accident or injury. A high probability of serious injury exists if this system is not installed, maintained, and operated properly.

- If using a ladder during assembly, use extreme caution.
- Faulty (capable) adults are recommended for this operation.
- Check base regularly for leakage. Some leaks could cause system to tip over completely.
- Seat the pole sections properly (if applicable). Failure to do so could allow the pole sections to separate during play and/or transport of this system.
- Observe, correction, or misuse could result in system failure.
- Minimum operational height is 6'0" (1.83 m) to the bottom of backboard.
- This equipment is intended for home recreational use only and NOT excessive competitive play.
- Read and understand the warning label affixed to pole.
- The life of your basketball pole depends on many conditions. The climate, placement of the pole, location of the pole, exposure to corrosives such as pesticides, herbicides, or salts are all important.
- Adult supervision is recommended when adjusting height.

WARNING

Read and understand warnings listed below before using this product.
Failure to follow these warnings may result in serious injury and/or property damage.

Owner must ensure that all players know and follow these rules for safe operation of the system.

- DO NOT STAND on the rim or any part of the system including backboard, support arms or net.
- During play, especially when performing dunk type activities, keep player's feet away from the backboard rim and net.
- Serious injury could occur if backboard rim is contacted with backboard, rim or net.
- Do not slide, climb, shake or play on base and/or pole.
- After assembly is complete, fit system completely with water or sand. Never leave system in an upright position without being base with weight, as system may tip over causing injuries.
- When adjusting height or moving system, keep hands and fingers away from moving parts.
- Do not allow children to move or adjust system.
- During play, do not lean heavily (finger, elbow, shoulder, etc.). Objects may weigh in net.
- Surface beneath the base must be smooth and free of gravel or other sharp objects. Punctures cause leakage and could cause system to tip over.
- These injuries extend away from center base. Caution: Water only could cause corrosion and/or deterioration.
- Check pole system for signs of corrosion (rust, pitting, chipping) and repair with suitable repair paint. If not too penetrative through the steel supports, replace paint immediately.
- Check poles before each use for proper ballast, loose hardware, excessive wear and signs of corrosion and repair before use.
- Check system before each use for integrity.
- Do not use system during windy and/or severe weather conditions; system may tip over. These systems are to be stored outdoors in an area protected from the wind and the base should be properly stored.
- Never play on damaged equipment.
- When moving system, use caution to keep mechanism from striking.
- Keep pole top covered with cap at all times.
- Do not allow water to run to base. During rain-frosting weather add 3 gallons of one-liter antifreeze, water or simple tank completely and store. (Do not use salt.)
- While moving system, do not allow anyone to stand or sit on base or base address surrounding area.
- Do not leave system unattended or play on system when wheels are engaged for transport.
- Use Caution when moving system across uneven surfaces. System may tip over.
- Use extreme caution if playing system on sloped surface. System may tip over easily.
- See instruction manual for proper installation and maintenance.

