

# 6X12M PVC PART LIST

(1) 1470mm Galvanized Pipe

Quantity 28



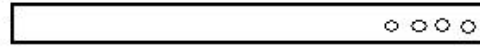
(2) 1940mm Galvanized Pipe

Quantity 48



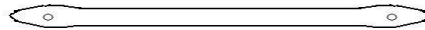
(3) 1920mm Galvanized Pipe

Quantity 14



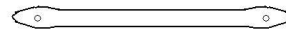
(4) 1510mm Galvanized Pipe

Quantity 14



(5) 510 Galvanized Pipe

Quantity 7



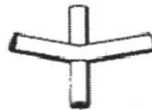
(6) 110° 3 Way joint

Quantity 4



(7) 110° 4Way joints

Quantity 10



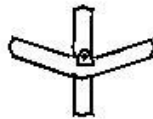
(8) 140° 3 Way joints

Quantity 2



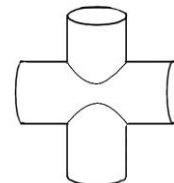
(9) 140° 4 Way joints

Quantity 5



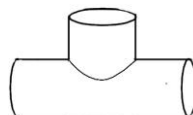
(10) Cross 4 Way joints

Quantity 10



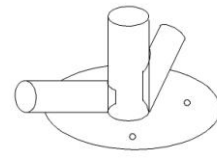
(11) 3 Way joints

Quantity 4



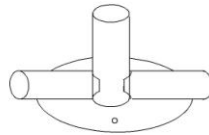
**(12) NO.12 3 Way joints**

**Quantity 4**



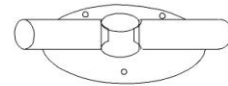
**(13) NO.13 3 Way joints**

**Quantity 10**



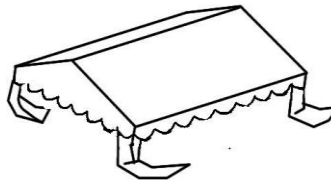
**(14) NO.14 3 Way joints**

**Quantity 4**



**Top Cover**

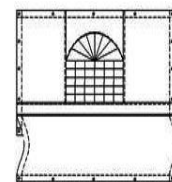
**Quantity 1**



**Side Panels**

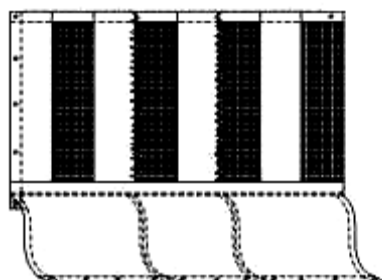
**Quantity 12**

**12pcs with windows**



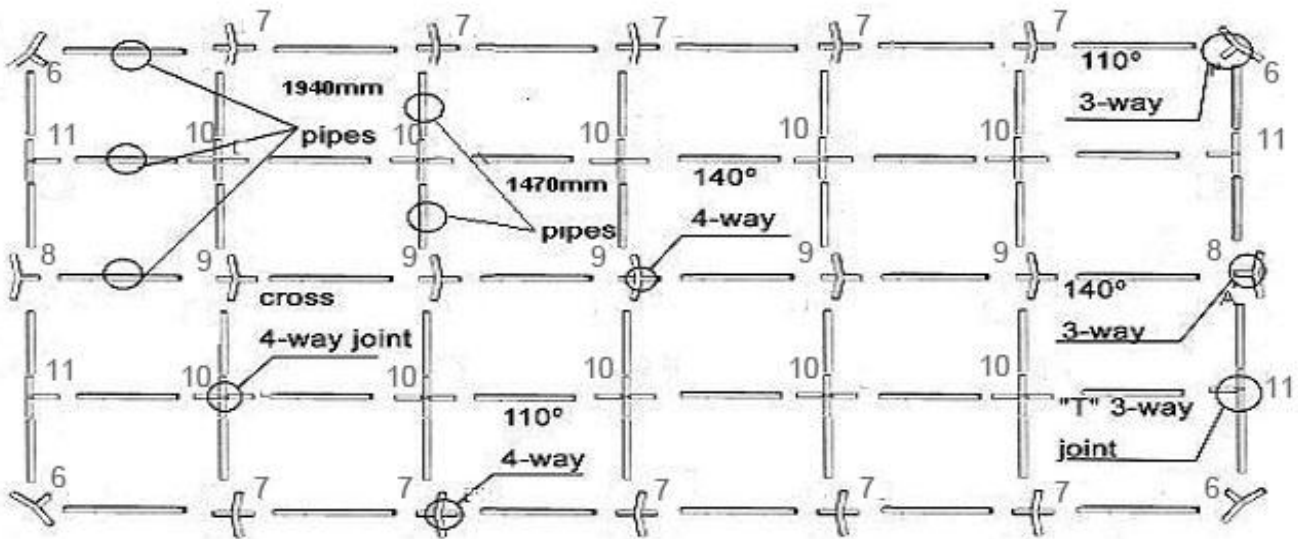
**Door Panels**

**Quantity 2**

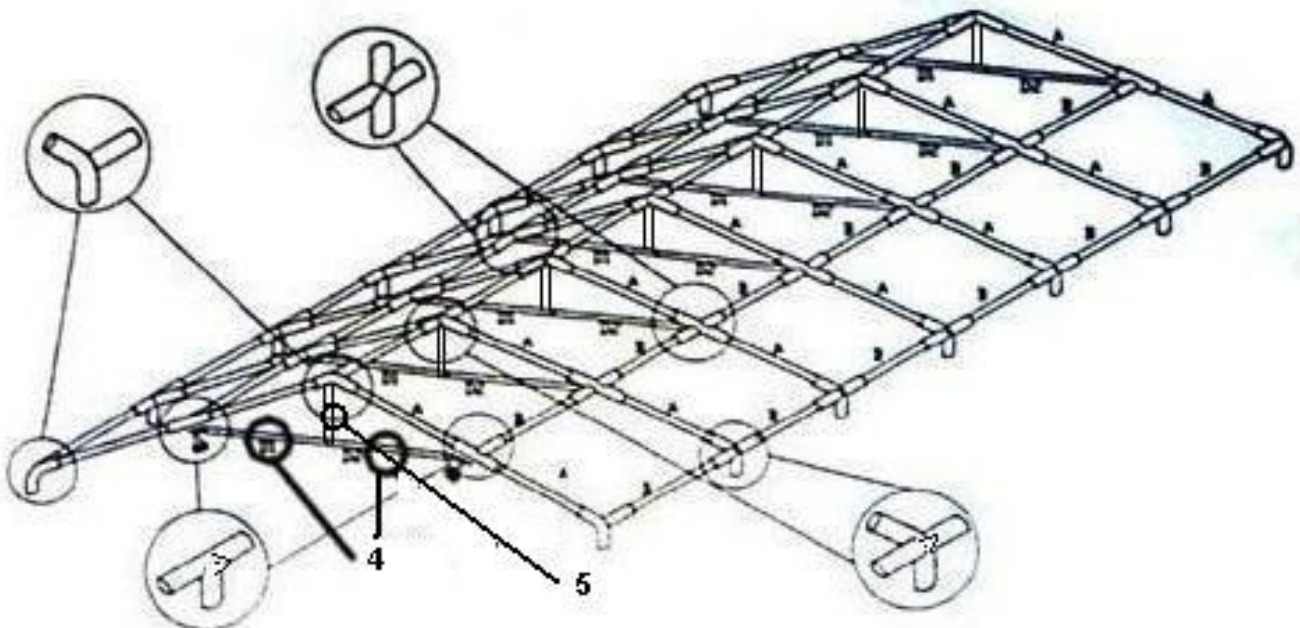


# 6X12M STRUCTURE TENT INSTRUCTION FRAME ASSEMBLY

1. Place all joints, 1940mm pipes and 1470mm pipes on the ground as shown. Push two pipes into the joints, use screws fix them.



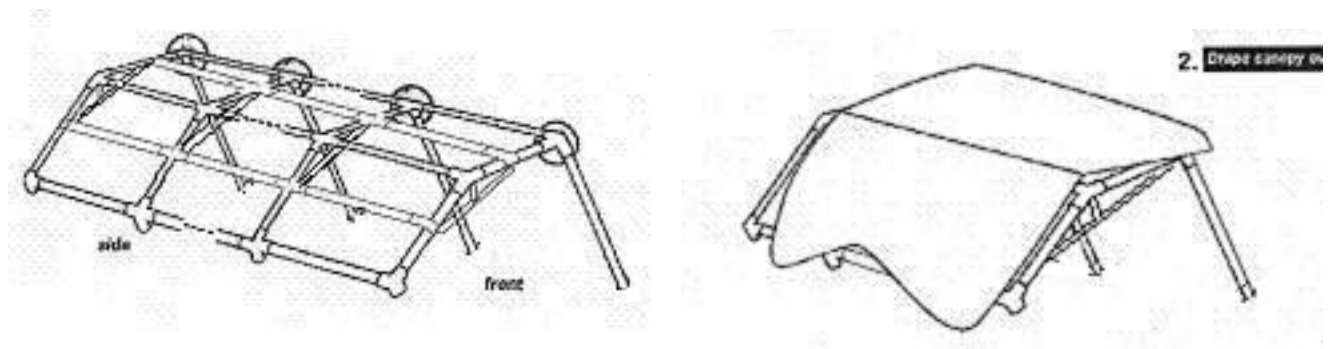
2. Connect pipes together starting with the center frame. Then assemble each side.



# ATTACHING COVER TO FRAME

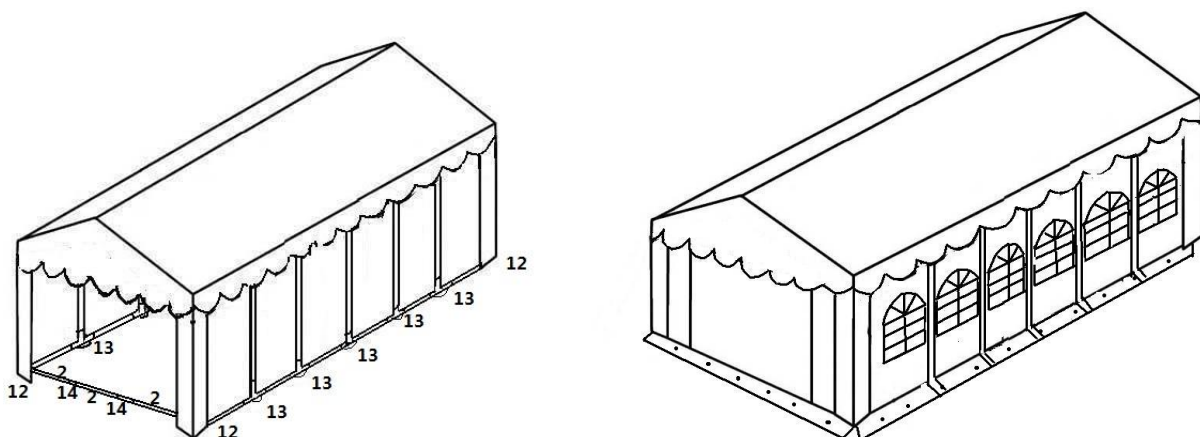
1. Start by lifting one of the frame and inserting legs.
2. Drape cover over frame.
3. Next, lift the other side of the frame and insert remaining legs.
4. Hung up the all side panels and door panels.

**NOTE:** *Loosen the straps on the bottom of the legs when attach the cover. Adjust as needed after the canopy is assembled.*



**Insert the remaining legs and finish attaching cover to frame.**

5. Then hung up the all side panels, and set up the foot and the ground bar.



**NOTE:** USING TIR DOWNS OR PROPER ANCHOR KIT FOR YOUR NEEDS.

1. ATTENTION:

**NEVER use below strap to tighten the roof and sidewall with window and sidewall with door, this will damage the grommet and fabric**

