

# THREE SIDES VIEWING ELECTRIC FIREPLACE

■ BEF-36WMT02

■ BEF-43WMT02

■ BEF-50WMT02

■ BEF-60WMT02

■ BEF-72WMT02

## OWNERS MANUAL



36"/43"/50"/60"/72" Wall Mounted & Built-in Electric Fireplace

**AC 220V-240V 50Hz 1400-1600 W**

### **WARNING**

**Read and understand** this entire owner's manual, including **all safety information**, before plugging in or **using** this product. Failure to do so could result in **fire, electric shock, or serious personal injury.**

### **CAUTION**

**Keep this owner's manual** for future reference. If you sell or give this product away, **make sure this manual accompanies this product.**





# IMPORTANT SAFETY INFORMATION!

## WARNING

**When using electrical appliances basic precautions should always be followed to reduce the risk of fire, electric shock and injury to persons, including the following:**

- Read all instructions before using this heater.
- This heater is hot when in use. To avoid burning, do not touch hot surface. If provided, use handles when moving this heater. Keep combustible materials, such as furniture, pillows, bedding, papers, clothes, and curtains at least 1 m from the front of the heater and keep them away from the sides and rear. In order to avoid overheating, do not cover the heater.
- Extreme caution is necessary when any heater is used near children or the infirm and whenever the heater is left operating and unattended.
- Always unplug heater when not in use.
- Do not operate any heater with a damaged cord or plug or after the heater malfunctions, has been dropped damaged in any manner, return heater to authorized service facility for examination, electrical or mechanical adjustment, or repair.
- Indoor use only, do not use outdoors.
- This heater is not intended for use in bathrooms, laundry areas and similar indoor locations. Never locate heater where it may fall into a bathtub or other water container.
- Do not run cord under carpeting. Do not cover cord with throw rugs, runners, or similar coverings. Arrange cord away from traffic area and where it will not be tipped over.
- To disconnect heater, turn controls to off, then remove plug from outlet.
- Do not inset or allow foreign objects to enter any ventilation or exhaust opening as this may cause an electric shock or fire, or damage the heater.
- To prevent a possible fire, do not block air intakes or exhaust in any manner. Do not use on soft surfaces, like a bed, where openings may become blocked.
- A heater has hot and arcing or sparking parts inside. Do not use it in areas where gasoline, or flammable liquids are used or stored.
- Use this heater only as describes in this manual. Any other use not recommended by the manufacturer may cause fire, electric shock, or injury to persons.
- DANGER-HIGH Temperatures may be generated under certain abnormal conditions. Do not partially or fully cover or obstruct the front of this heater.
- Replacement of the lamps should be done only while the heater is disconnected from the supply circuit.
- This appliance is not intended for use by persons (including children) with reduced physical, sensory or capabilities, or lack of experience and knowledge, unless they have been given supervision or instruction concerning use of the appliance by a person responsible for their safety. Children should be supervised to ensure that they do not play with the appliance.
- CAUTION: In order to avoid a hazard due to inadvertent resetting of the thermal cut-out, this appliance must not be supplied through an external switching device, such as a timer, or connected to a circuit that is regularly switched on and off by the utility.

# Preparation




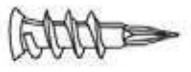
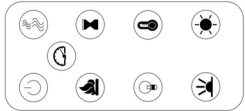

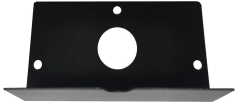







This product includes a **GLASS panel!** Always use **extreme caution** when handling **glass**. Failure to do so could result in **personal injury** or **property damage**.

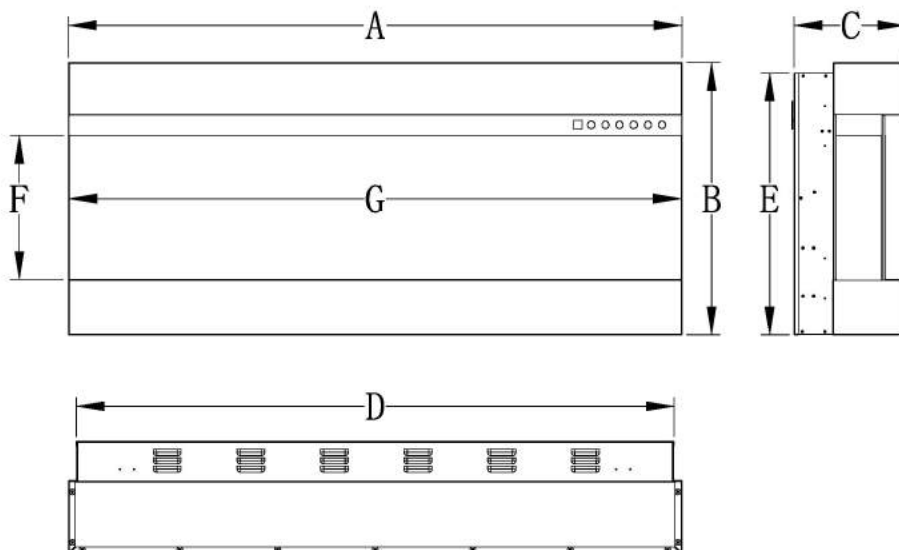
Remove all parts and hardware from the carton and place them on a clean, soft, dry surface. Parts and assembly steps are grouped for wall-hanging or recessing use. Check the parts list to make sure nothing is missing. Dispose of packaging materials properly. Please recycle whenever possible.

**You will need the following tools (not included):** Phillips screwdriver; stud finder; level; tape measure; electric drill; 1/4" wood drill bit, hammer.

# Parts and Hardware

 <p><b>A – Fireplace</b></p>				
	<p><b>B – Wood Screws</b></p>		<p><b>C – Drywall anchors</b></p>	
				
<p><b>D-Remote Control</b></p>	<p><b>E-Metal bracket</b></p>	<p><b>F-Metal cover plate</b></p>		
				
<p><b>G-Wall Bracket</b> Fixed on back of firebox</p>	<p><b>H-Decorative Crystals</b> (Black and Clear)</p>	<p><b>I - Drift Log Piece</b></p>	<p><b>J-Box connector</b></p>	<p><b>K - Plastic Tray</b></p>

# Specification and Dimension



PRODUCT DIMENSIONS							
Model Number	A	B	C	D	E	F	G
BEF-36WMT02	36.6" 93cm	19.1" 48.4cm	7.9" 20cm	35.5" 90.2cm	18.3" 46.56cm	10.1" 25.61cm	36.4" 92.57cm
BEF-43WMT02	43.3" 110.2cm	19.1" 48.4cm	7.9" 20cm	42.2" 107.22cm	18.3" 46.56cm	10.1" 25.61cm	43.1" 109.6cm
BEF-50WMT02	50" 127cm	19.1" 48.4cm	7.9" 20cm	48.9" 124.2cm	18.3" 46.56cm	10.1" 25.61cm	49.8" 126.57cm
BEF-60WMT02	60" 152.4cm	19.1" 48.4cm	7.9" 20cm	58.9" 149.6cm	18.3" 46.56cm	10.1" 25.61cm	59.8" 151.97cm
BEF-72WMT02	72" 182.8cm	19.1" 48.4cm	7.9" 20cm	70.9" 180cm	18.3" 46.56cm	10.1" 25.61cm	71.8" 182.37cm

## Installation and Assembly

Your appliance is a wall-mounted, recessed and/or mantel installed appliance. Select a suitable location that is not susceptible to moisture and is away from drapes, furniture and high traffic areas.

**NOTE:** Follow all National and local electrical codes.

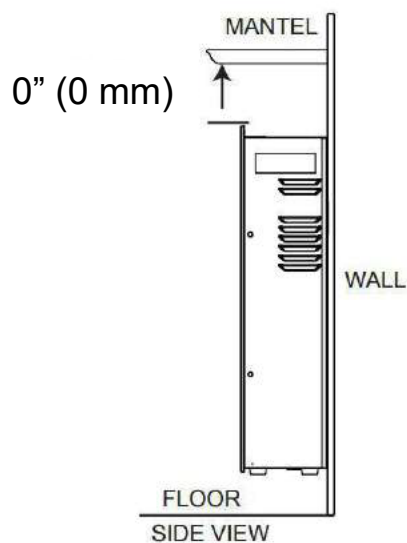
### MINIMUM CLEARANCE TO COMBUSTIBLES

Measurements are taken from the glass front.			
Bottom	0"	Top	0" to mantel
Sides	0"	Top	0" to ceiling
Back	0"		

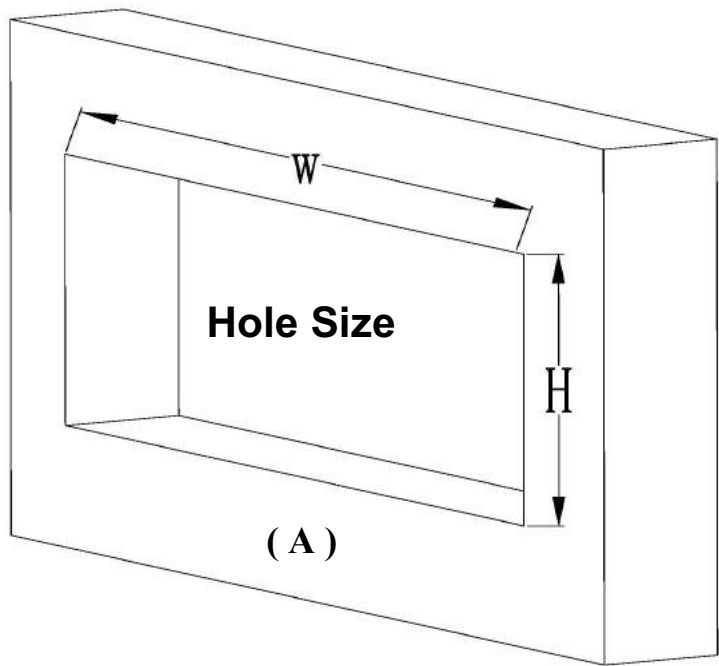
### MINIMUM MANTEL CLEARANCES

## WARNING

WHEN USING PAINT OR LACQUER TO FINISH THE MANTEL, THE PAINT OR LACQUER MUST BE HEAT RESISTANT TO PREVENT DISCOLOURATION.



# Recessed To Wall Installation

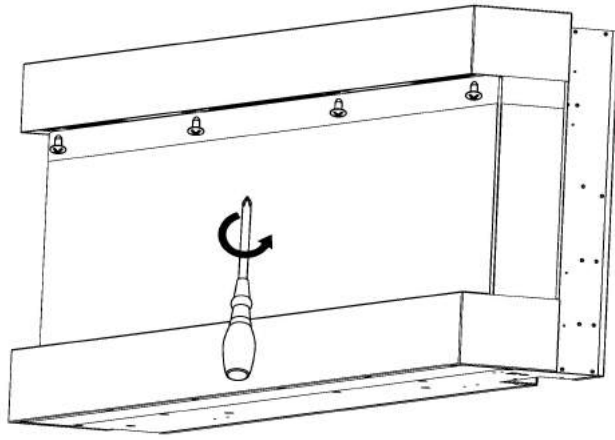


**STEP A.** Selection a dry wall to open a hole for fireplace box. Size of hole as below chart **Figure ( A )**

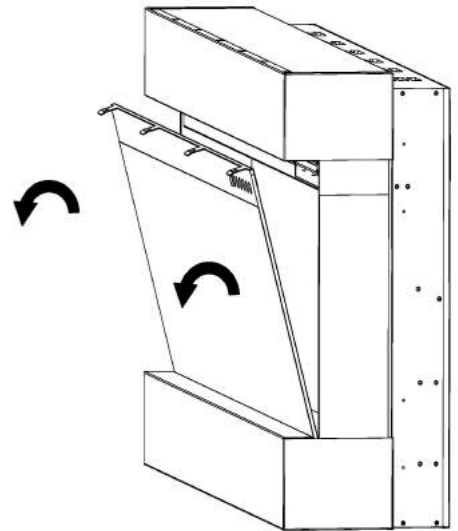
Framing Hole Size		
Model Number	W	H
BEF-36WMT02	35.9" (91.2CM)	18.84" (47.86CM)
BEF-43WMT02	42.71" (108.3CM)	18.84" (47.86CM)
BEF-50WMT02	49.29" (125.2CM)	18.84" (47.86CM)
BEF-60WMT02	59.29" (150.6CM)	18.84" (47.86CM)
BEF-72WMT02	71.25" (181CM)	18.84" (47.86CM)

**STEP B.** Using the screw driver to take off the screws from the front **Figure (B)**

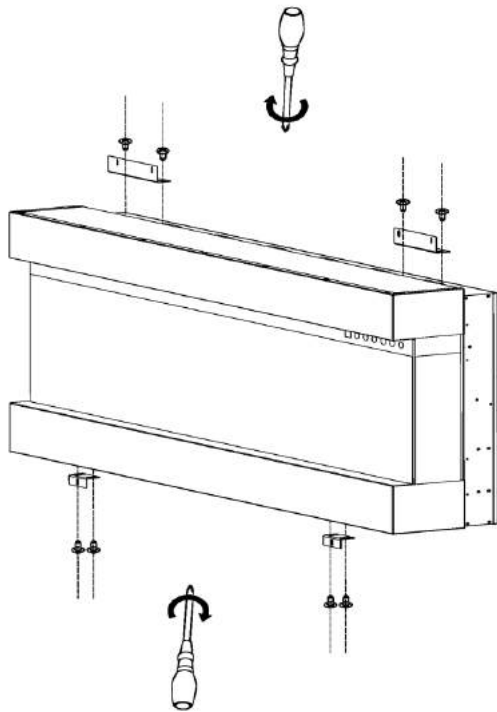
**STEP C.** Have two adult people to pull of the glass panel and take it out **Figure (C)**



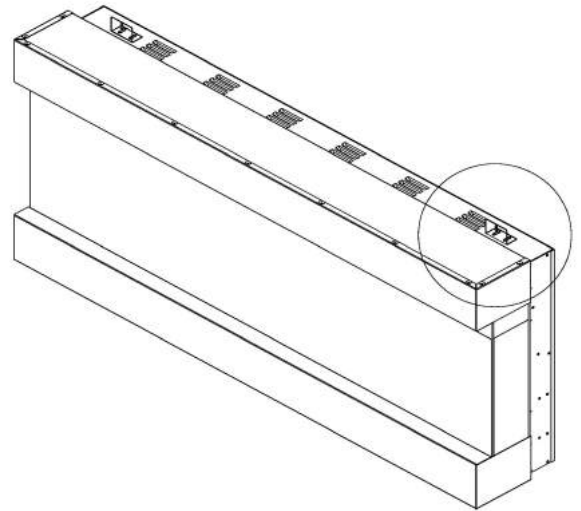
(B)



(C)



(D)

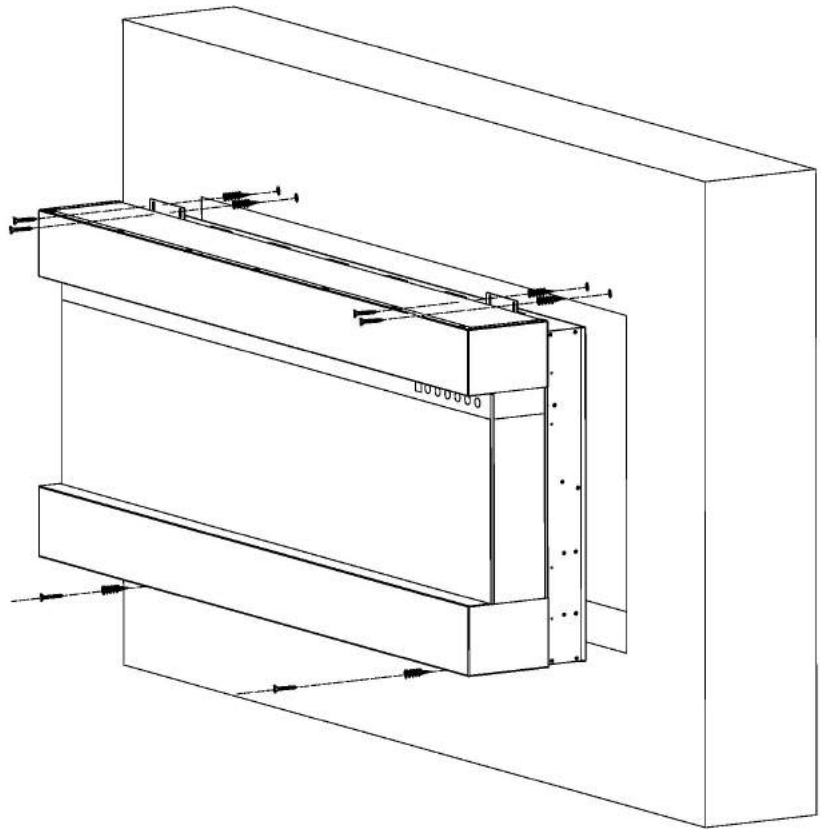


(E)

**STEP D.** Fix the metal brackets (F) to the **BOTTOM** and to the **TOP** of the fireplace box. **Figure (D,E)**

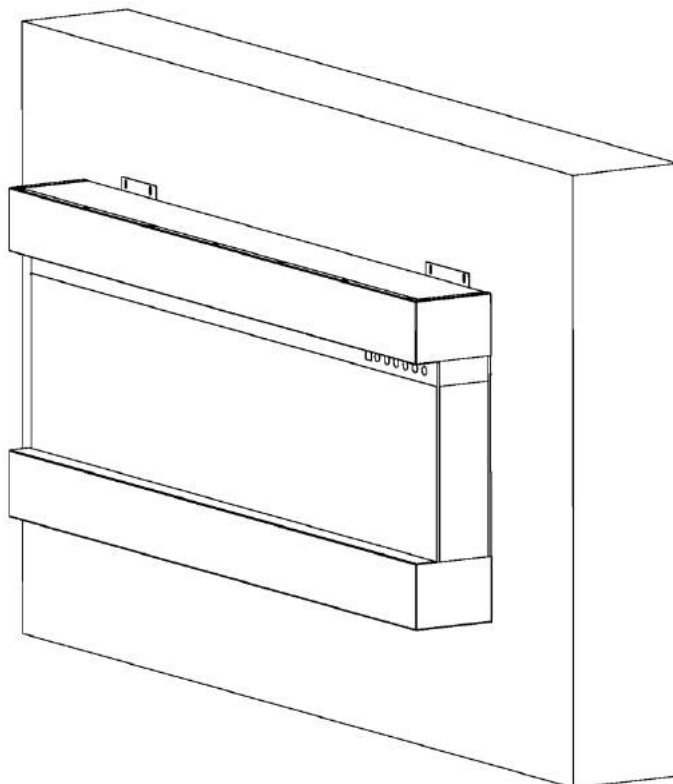
**NOTE:** Metal brackets can be use as movable, please adjust to the best location as need

**STEP E.** Have two adult people to lift of the fireplace box and put it inside of the wall opening hole. Using the screw driver to fix all wood screws and drywall anchors through the metal brackets to the wall and fixing tightly. NOTE: Making sure that all screws and drywall anchors are well screwed.



( F )

**STEP F.** Your Electric fireplace will be looks as below after installation





# Wall Mounted Installation

Due to the many different materials used on different walls, it is highly recommended that you consult your local builder before you install this appliance on the wall.

**A.** Select a location that is not prone to moisture and is located at least 36" (914mm) away from combustible materials such as curtain drapes, furniture, bedding, paper, etc.

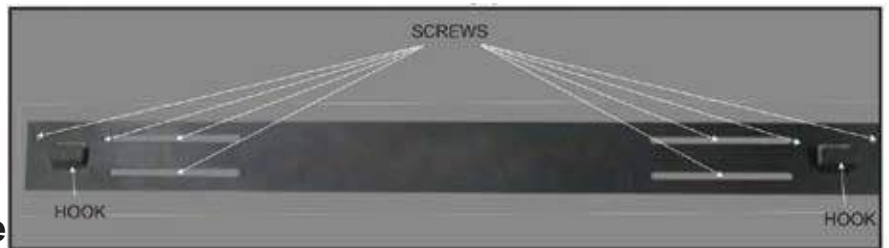
**B.** Have two people hold the appliance against the wall to determine the final location.

**C.** Place unit face down on a soft, non abrasive surface. Remove the bracket from the back of the unit by removing the screws, refer to Figure 1.

**D.** Mark out location, then mount the bracket(s) onto the wall using the supplied screws. This bracket

MUST have the hooks facing upward and be level. **NOTE: It is strongly**

**recommended that the mounting bracket (G) be Screwed into the wall studs Where possible. If the wall Studs cannot be used, ensure**

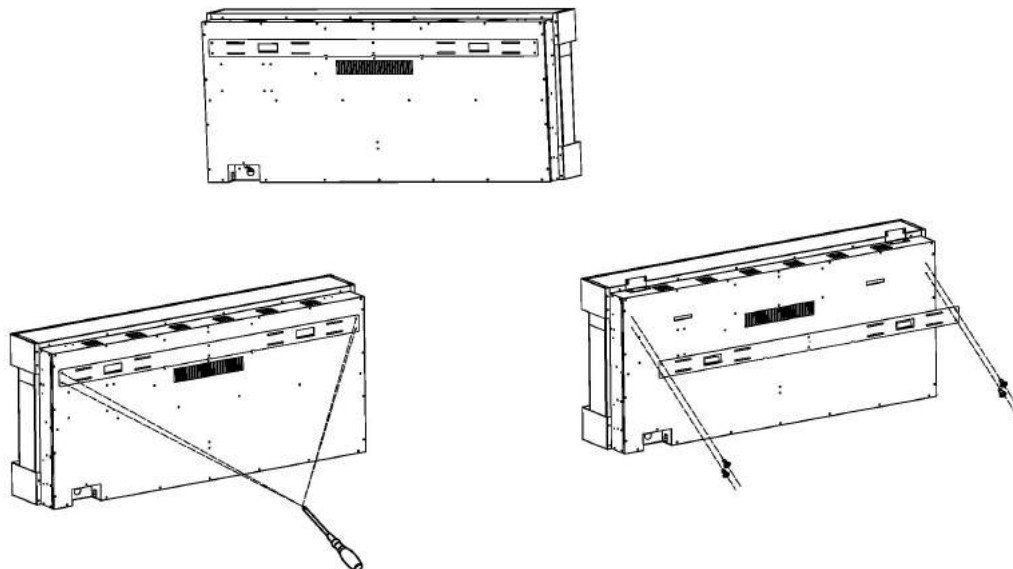


**That the supplied plastic anchors are used to affix the bracket to the wall and the bracket is adequately secured.**

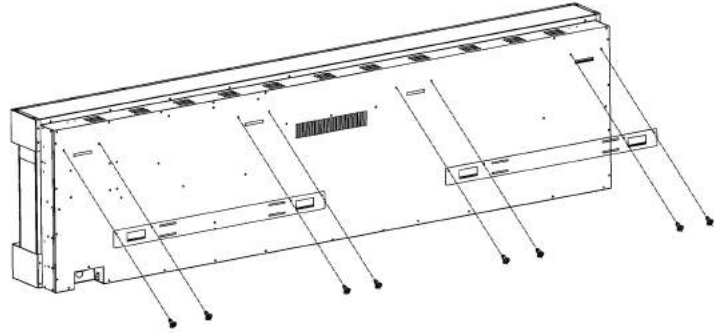
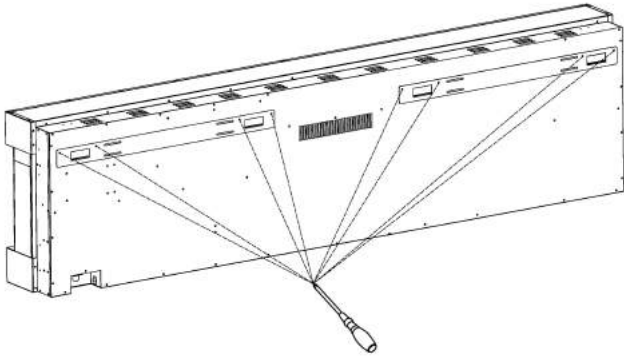
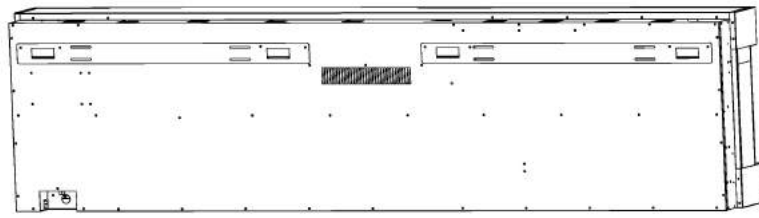
**E.** With the wall mounting bracket installed have two people lift the appliance up and insert the two hooks

on the bracket into the two slots on the back of the appliance.

**F.** Check the appliance for stability ensuring that the bracket will not pull free from the wall.

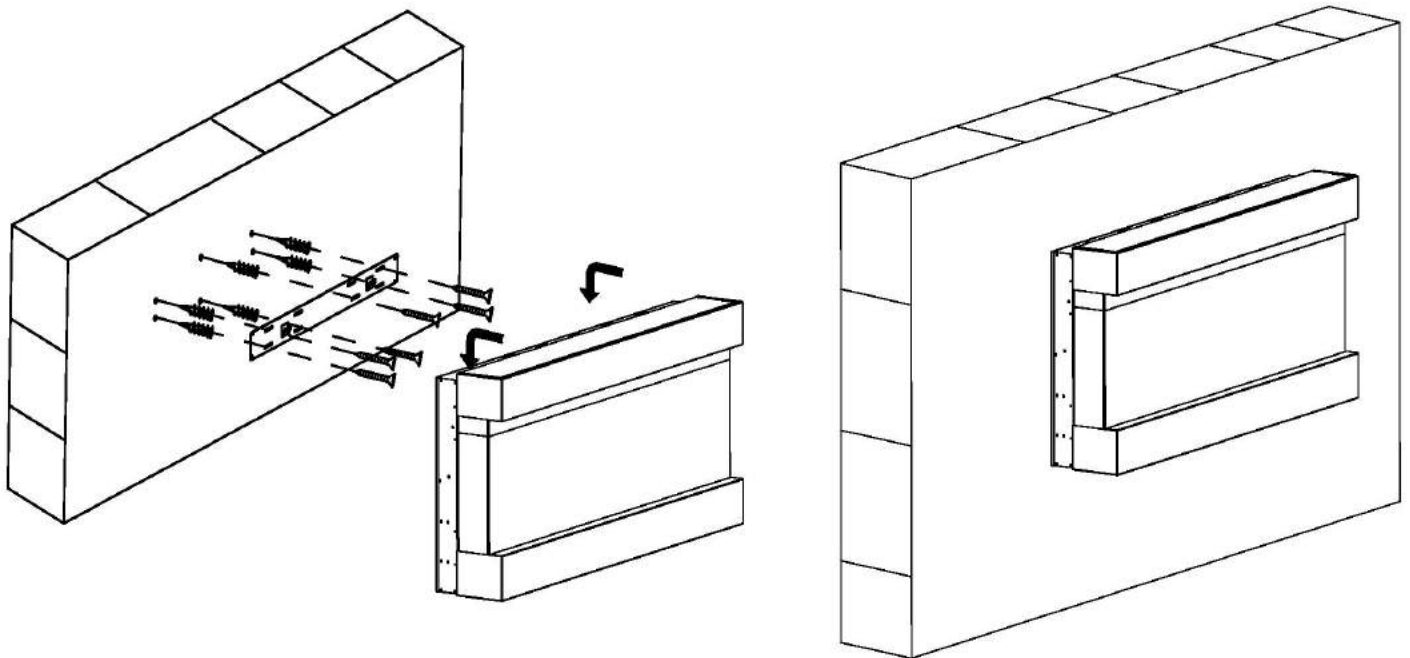


BEF-36-50WMT02 Wall Bracket Illustrated



BEF-60-72WMT02 Wall Bracket Illustrated

**G. Your Electric fireplace will be looks as below after installation**



# Decorative Crystals and Driftwood Logs Installation

- A. Glass front must be removed and the appliance must be mounted in its final location before the log-set / crystal /embers are installed.
- B. Carefully place crystals into the plastic tray as illustrated. Apply an even layer from side to side. Fig 3 ,Fig 4
- C. Carefully place the log-sets on the surface of the crystals. Fig 5.
- D. Re-installed front glass and the front trim.



**Figure 3. ( Clear Crystals )**



**Figure 4. ( Smoked Crystals )**



**Figure 5**

# Operation



Read and understand this entire owner's manual, including all safety information, before plugging in or using this product. Failure to do so could result in electric shock, fire, serious injury, or death.

## Power

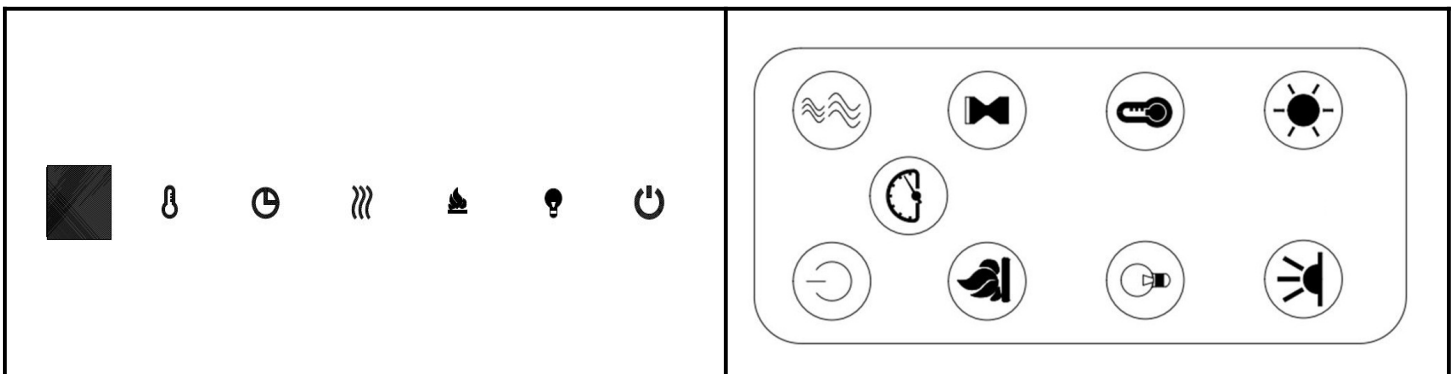
Plug the power cord into a 220-240 Volt 15 Amp grounded outlet (see **IMPORTANT SAFETY INFORMATION** on Page 2). Make sure the outlet is in good condition and that the plug is not loose. **NEVER** exceed the maximum amperage for the circuit. **DO NOT** plug other appliances into the same circuit.

## Methods of Operation









This electric fireplace can be operated by the TOUCH PANEL, located on the right side panel of the fireplace (see figure below), or by the battery-powered REMOTE CONTROL.


The operation and functions of the two methods are the same.

Before operating, please review the **IMPORTANT SAFETY INFORMATION** on Page 2 , and heed all warnings.









## Remote Control Operation

BUTTON	FUNCTION	ACTION & INDICATION																																						
 <p><b>POWER</b></p>	<p><b>ON:</b> Enables control panel functions and remote control. Turns on flame effect.</p> <p><b>OFF:</b> Disables control panel functions and remote control. Turns off flame effect.</p>	<ol style="list-style-type: none"> <li><b>Press once.</b> Indicator light turns on. Power turns on. All functions enabled.</li> <li><b>Press again.</b> Flame effect turns off. Unit goes to standby. All functions turn off.</li> </ol>																																						
 <p><b>TIMER</b></p>	<p><b>TIMER button:</b> Controls timer settings to turn off fireplace at selected time.</p> <p>Settings range from 0.5 hours to 8 hours.</p>	<ol style="list-style-type: none"> <li><b>Press once.</b> Indicator light turns on. Timer is set to 0.5 hours.</li> <li><b>Press again until desired setting is reached.</b> Indicator lights show setting.</li> </ol>																																						
 <p><b>FLAME</b></p>	<p><b>FLAME button:</b> Makes flame effect dimmer and brighter.</p> <p><b>NOTE:</b> Flame effect stays on until power button is turned off. Flame effect must be on for fireplace to turn on.</p>	<ol style="list-style-type: none"> <li><b>Press once.</b> Flame brightness effect gets changing.</li> <li><b>Press again.</b> until desired setting is reached.</li> </ol>																																						
 <p><b>COLOR</b></p>	<p><b>COLOR button:</b> Makes the color flame effect changing.</p> <p><b>NOTE:</b> color effect stays on until power button is turned off. Color flame effect must be on for fireplace to turn on.</p>	<ol style="list-style-type: none"> <li><b>Press once.</b> Flame color effect gets changing.</li> <li>Press again until desired setting is reached. total 6 colors.</li> </ol>																																						
 <p><b>HEATER</b></p>	<p><b>HEATER button:</b> Turns heater on and off.</p> <p><b>NOTE:</b> The heater only works when the flame effect is on. If the flame effect is off, the heater will not turn on.</p> <p><b>NOTE:</b> To prevent overheating, the heater blows cool air for 10 seconds</p>																																							
 <p><b>Temperature</b></p>	<p>1. Press once: Touch panel indicator becomes active.</p> <p>2. Press again until desired setting is reached. Digital display shows setting circles as belows.</p> <table border="1" data-bbox="292 1417 1214 1516"> <tr> <td>Display value</td> <td></td> <td>0</td> <td>1</td> <td>2</td> <td>3</td> <td>4</td> <td>5</td> <td>6</td> <td>7</td> <td>8</td> <td>9</td> <td>10</td> </tr> <tr> <td rowspan="2">Temperature</td> <td>°C</td> <td>20</td> <td>21</td> <td>22</td> <td>23</td> <td>24</td> <td>25</td> <td>26</td> <td>27</td> <td>28</td> <td>29</td> <td>30</td> </tr> <tr> <td>°F</td> <td>68</td> <td>70</td> <td>72</td> <td>74</td> <td>76</td> <td>78</td> <td>80</td> <td>82</td> <td>84</td> <td>86</td> <td>88</td> </tr> </table> <p><b>NOTE:</b> Press the button for 5 seconds to switch between °C and °F</p>	Display value		0	1	2	3	4	5	6	7	8	9	10	Temperature	°C	20	21	22	23	24	25	26	27	28	29	30	°F	68	70	72	74	76	78	80	82	84	86	88	
Display value		0	1	2	3	4	5	6	7	8	9	10																												
Temperature	°C	20	21	22	23	24	25	26	27	28	29	30																												
	°F	68	70	72	74	76	78	80	82	84	86	88																												
	<p><b>LED Ember light button:</b> Makes the color on bottom effect gets changing.</p> <p><b>NOTE:</b> Ember color effect stays on until power button is turned off</p>	<ol style="list-style-type: none"> <li>Press once. Ember color effect gets changing.</li> <li>Press again. until desired setting is reached, in total 10 colors recycling.</li> </ol>																																						
	<p><b>LED Ember light brightness button:</b> Makes the LED ember lights on bottom effect gets changing.</p> <p><b>NOTE:</b> LED Ember light brightness effect stays on until power button is turned off.</p>	<ol style="list-style-type: none"> <li>Press once. LED ember light color effect gets changing.</li> <li>Press again until desired setting is reached.</li> </ol>																																						

 <p><b>SPEED</b></p>	<p><b>Flame speed button:</b> Controls the speed of the flame. There are 3 flame speed settings: 01 (slowest), 02 (Medium), 03 (fastest).</p>	<ol style="list-style-type: none"> <li><b>Press once.</b> Flame speed gets changing.</li> <li><b>Press again</b> until desired setting is reached. Display shows the setting.</li> </ol> <p>The Default setting is 02 (medium speed)</p>
---	---	--

## Touch-on Control Panel Operation

BUTTON	FUNCTION	ACTION & INDICATION																																						
 <p><b>POWER</b></p>	<p><b>ON:</b> Enables control panel functions and remote control. Turns on flame effect.</p> <p><b>OFF:</b> Disables control panel functions and remote control. Turns off flame effect.</p>	<ol style="list-style-type: none"> <li><b>Press once.</b> Indicator light turns on. Power turns on. All functions enabled.</li> <li><b>Press again.</b> Flame effect turns off. Unit goes to standby. All functions turn off.</li> </ol>																																						
 <p><b>TIMER</b></p>	<p><b>TIMER button:</b> Controls timer settings to turn off fireplace at selected time.</p> <p>Settings range from 0.5 hours to 8 hours.</p>	<ol style="list-style-type: none"> <li><b>Press once.</b> Indicator light turns on. Timer is set to 0.5 hours.</li> <li><b>Press again until desired setting is reached.</b> Indicator lights show setting.</li> </ol>																																						
 <p><b>FLAME</b></p>	<p><b>FLAME button:</b> Makes flame effect dimmer and brighter.</p> <p><b>NOTE:</b> Flame effect stays on until power button is turned off. Flame effect must be on for fireplace to turn on.</p>	<ol style="list-style-type: none"> <li><b>Press once.</b> Flame brightness effect gets changing.</li> <li><b>Press again.</b> until desired setting is reached.</li> </ol>																																						
 <p><b>COLOR</b></p>	<p><b>COLOR button:</b> Makes the color flame effect changing.</p> <p><b>NOTE:</b> color effect stays on until power button is turned off. Color flame effect must be on for fireplace to turn on.</p>	<ol style="list-style-type: none"> <li><b>Press once.</b> Flame color effect gets changing.</li> <li>Press again until desired setting is reached. total 6 colors.</li> </ol>																																						
 <p><b>HEATER</b></p>	<p><b>HEATER button:</b> Turns heater on and off.</p> <p><b>NOTE:</b> The heater only works when the flame effect is on. If the flame effect is off, the heater will not turn on.</p> <p><b>NOTE:</b> To prevent overheating, the heater blows cool air for 10 seconds</p>																																							
 <p><b>Temperature</b></p>	<ol style="list-style-type: none"> <li>Press once: Touch panel indicator becomes active.</li> <li>Press again until desired setting is reached. Digital display shows setting circles as belows.</li> </ol> <table border="1" data-bbox="272 1724 1190 1818"> <tr> <td>Display value</td> <td></td> <td>0</td> <td>1</td> <td>2</td> <td>3</td> <td>4</td> <td>5</td> <td>6</td> <td>7</td> <td>8</td> <td>9</td> <td>10</td> </tr> <tr> <td rowspan="2">Temperature</td> <td>°C</td> <td>20</td> <td>21</td> <td>22</td> <td>23</td> <td>24</td> <td>25</td> <td>26</td> <td>27</td> <td>28</td> <td>29</td> <td>30</td> </tr> <tr> <td>°F</td> <td>68</td> <td>70</td> <td>72</td> <td>74</td> <td>76</td> <td>78</td> <td>80</td> <td>82</td> <td>84</td> <td>86</td> <td>88</td> </tr> </table> <p><b>NOTE:</b> Press the button for 5 seconds to switch between °C and °F</p>	Display value		0	1	2	3	4	5	6	7	8	9	10	Temperature	°C	20	21	22	23	24	25	26	27	28	29	30	°F	68	70	72	74	76	78	80	82	84	86	88	
Display value		0	1	2	3	4	5	6	7	8	9	10																												
Temperature	°C	20	21	22	23	24	25	26	27	28	29	30																												
	°F	68	70	72	74	76	78	80	82	84	86	88																												

## NOTICE

When the heater is first turned on, a slight odor may be present. This is normal and should not occur again unless the heater is not used for a long period of time.

## NOTICE

To improve operation, **aim** the remote control at the front of the fireplace. **DO NOT press the buttons too quickly.** Give the unit time to respond to each command.

## Temperature Limiting Control

This heater is equipped with a Temperature Limiting Control. Should the heater reach an unsafe temperature, the heater will automatically turn OFF. To reset:

1. Unplug the power cord from the outlet.
2. Turn the ON/OFF switch on the CONTROL PANEL to OFF. **Wait 5 minutes.**
3. Inspect the fireplace to make sure no vents are blocked, or clogged with dust or lint. If they are, use a vacuum to clean the vent areas.
4. With the POWER switch in the OFF position, plug the power cord back into the outlet.
5. If the problem continues, have your outlet and wiring inspected by a professional.

## Remote Control Battery Information

This remote control uses one CR2025 battery (**Included**)



**NEVER** dispose of battery in **fire**. Failure to observe this precaution **may result in an explosion**. Dispose of batteries at your local hazardous material processing center.

# Care and Maintenance

## Cleaning



**ALWAYS** turn the heater **OFF** and **unplug the power cord from the outlet** before cleaning, performing maintenance, or moving this fireplace. Failure to do so could result in **electric shock, fire, or personal injury**.



**NEVER** immerse in water or **spray with water**. Doing so could result in **electric shock, fire, or personal injury**.

### Metal:

- Buff using a soft cloth, slightly dampened with a citrus oil-based product.
- **DO NOT** use brass polish or household cleaners as these products will damage the metal trim.

### Glass:

- Use a good quality glass cleaner sprayed onto the cloth or towel. Dry thoroughly with a paper towel or lint-free cloth.
- **NEVER** use abrasive cleansers, liquid sprays, or any cleaner that could scratch the surface.

### Vents:

- Use a vacuum or duster to remove dust and dirt from the heater and vent areas.

### Plastic:

- Wipe gently with a slightly damp cloth and a mild solution of dish soap and warm water.
- **NEVER** use abrasive cleansers, liquid sprays, or any cleaner that could scratch the surface.

## Maintenance



**Risk of electric shock! DO NOT OPEN any panels ! No user-serviceable parts inside!**



**ALWAYS** turn the heater **OFF** and **unplug the power cord from the outlet** before cleaning, performing maintenance, or moving this fireplace. Failure to do so could result in **electric shock, fire, or personal injury**.

### Electrical and Moving Parts:

- The fan motors are lubricated at the factory and will not require lubrication.
- Electrical components are integrated in the fireplace and are not serviceable by the consumer.

### Storage:

- Store heater in a clean dry place when not in use.



**WARNING! NO SERVICING** of the internal or electrical parts should be performed by the consumer. Do not service the unit yourself.