

WALL MOUNTED & RECESSED ELECTRIC FIREPLACE

Model# : ■ BEF-50BI12 ■ BEF-60BI12 ■ BEF-72BI12
■ BEF-84BI12 ■ BEF-100BI12

OWNER'S MANUAL



AC 220-240V 50Hz 1400-1600W

WARNING

Read and understand this entire owner's manual, including **all safety information**, before plugging in or **using** this product. Failure to do so could result in **fire, electric shock, or serious personal injury**.

CAUTION

Keep this owner's manual for future reference. If you sell or give this product away, **make sure this manual accompanies this product**.

IMPORTANT SAFETY INFORMATION!

WARNING

- **Read all instructions before using this heater!**
- This heater is **hot when in use**. To avoid burns, **DO NOT** let bare skin touch **hot** surfaces. If provided, use handles when moving this heater. Keep **combustible materials**, such as furniture, pillows, bedding, papers, clothes, and curtains at least **3 feet (0.9m)** from the **front of the heater**, and **keep them away from the sides and rear**.
- **Extreme caution** is necessary when any heater is used by or near **children** or **invalids** and whenever the heater is left **operating and unattended**.
- **DO NOT** operate any heater with a **damaged cord or plug**, after it has **malfunctioned**, or if it has been **dropped** or **damaged in any manner**. Discard the heater or return it to an authorized service facility for examination and/or repair.
- **DO NOT** run power cord under carpeting. **DO NOT** cover power cord with throw rugs, runners, or similar coverings. **DO NOT** route power cord under furniture or appliances. Arrange power cord **away from traffic** area, and where it will not be tripped over.
- **Connect to properly grounded outlets ONLY.**
- **DO NOT insert** or **allow foreign objects** to **enter any ventilation or exhaust opening**, as this may cause **electric shock** or **fire**, or **damage the heater**.
- To prevent a possible fire, **DO NOT** block air intakes or exhaust in any manner. Doing so could cause a **fire**. **DO NOT** use on soft surfaces, like a bed, where openings may become blocked.
- A heater has **hot and arcing or sparking parts inside**. **DO NOT** use it in areas where **gasoline, paint, or flammable liquids** are used or stored.
- **Use this heater only as described in this manual**. Any other use not recommended by the manufacturer may cause fire, electric shock, or injury to persons.
- **ALWAYS** plug heaters directly into a wall outlet/receptacle. **NEVER** use with an extension cord or relocatable power tap (outlet/power strip).
- **DO NOT place the heater near a bed** because objects such as pillows or blankets can fall off the bed and be ignited by the heater.
- **NEVER** use this heater in **bathrooms, laundry rooms**, or any other location where the heater could fall into a **bathtub** or **pool**, **become damp**, or **come in contact with water**.
- **AVOID FIRE!** Regularly inspect all air vents to make sure they are free from dust, lint, or other blockage. **Unplug the unit** and clean with a **vacuum ONLY**. **DO NOT** rinse or get wet.
- **ALWAYS** mount to wall bracket before use. **DO NOT** set on the floor, or other surface, to use.
- **NEVER** use a wall mount bracket from another manufacturer.
- This product is **not intended** to be a **primary heat source**. It is for **supplemental heat only**.
- **INDOOR use only!** **NEVER** use this heater **outdoors!** Doing so may result in **electric shock!**
- **Risk of electric shock! DO NOT OPEN!** No user-serviceable parts inside!


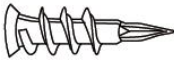
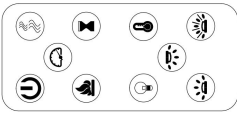

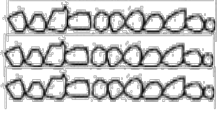
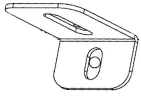
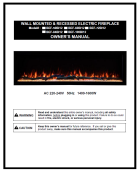
- **ALWAYS** turn this heater off before unplugging it from the outlet.
- **ALWAYS disconnect** this unit from the **power** supply **before** performing any assembly or cleaning, or before relocating the electric fireplace.
- **NEVER** leave this heater unattended. **ALWAYS** unplug this heater when not in use.
- **ALWAYS** store this heater in a dry location. **NEVER** use the fireplace if it has become wet.
- **NEVER** plug this heater into an outlet that is **old, cracked**, or has any **loose wires or connections**. Plugging this heater into a faulty outlet could result in **electric arcing** within the outlet that could cause the **outlet to overheat or catch fire**.
- **ALWAYS** check your heater cord and plug connections with **each use!**
 - i) **MAKE SURE** the plug fits tight in the outlet! Faulty wall outlet connections or loose plugs can cause the outlet to overheat.
 - ii) **Heaters draw more current** than small appliances. **Overheating** may occur even if it has not occurred with the use of other appliances.
 - iii) During use, **check frequently** to see if the **plug outlet or face plate is HOT**.
 - iv) If the outlet or face plate is **HOT, discontinue use immediately** and have a qualified electrician inspect and/or replace the faulty outlets.
- **SAVE THESE INSTRUCTIONS!**

Preparation

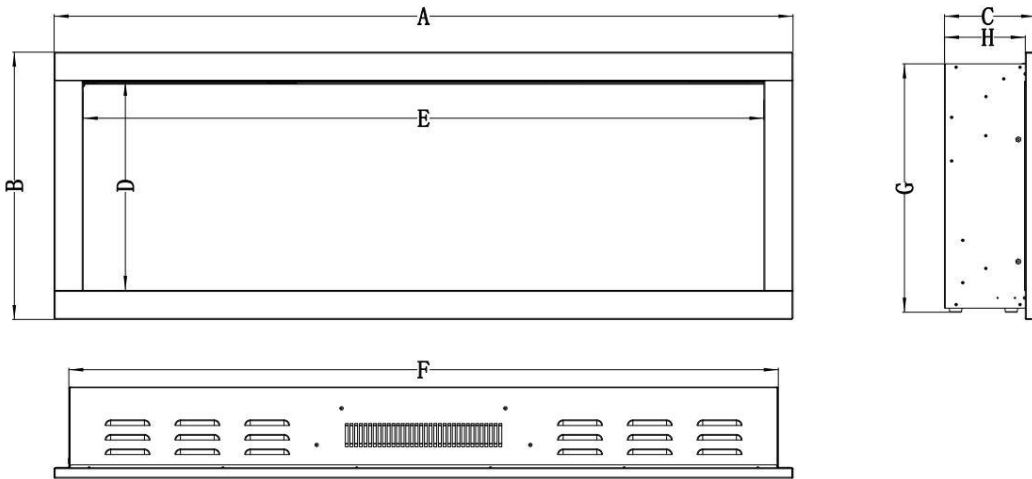
Remove all parts and hardware from the carton and place them on a clean, soft, dry surface. Parts and assembly steps are grouped for wall-hanging or recessing use. Check the parts list to make sure nothing is missing. Dispose of packaging materials properly. Please recycle whenever possible.

You will need the following tools (not included): Phillips screwdriver; stud finder; level; tape measure; electric drill; 1/4" wood drill bit; hammer.

Parts and Hardware

				
A-Wood Screw	B- Drywall anchors	C- Remote Control	D-Driftwood Logs	
				
E-Crystals (Clear&Smoked)	F-“L”Shape Bracket	I-Manual		

Specification and Dimensions



PRODUCT DIMENSIONS

Model Number	A	B	C	D	E	F	G	H
BEF-50BI12	50" [1270mm]	18-1/8" [460mm]	6-3/8" [162mm]	14-1/8" [360mm]	46" [1170mm]	48-1/4" [1225mm]	17" [431mm]	5-5/8" [143mm]
BEF-60BI12	60" [1524mm]	18-1/8" [460mm]	6-3/8" [162mm]	14-1/8" [360mm]	56" [1424mm]	58-1/4" [1479mm]	17" [431mm]	5-5/8" [143mm]
BEF-72BI12	72" [1830mm]	18-1/8" [460mm]	6-3/8" [162mm]	14-1/8" [360mm]	68-1/8" [1730mm]	70-1/4" [1785mm]	17" [431mm]	5-5/8" [143mm]
BEF-84BI12	84" [2135mm]	18-1/8" [460mm]	6-3/8" [162mm]	14-1/8" [360mm]	80-1/8" [2035mm]	82-1/4" [2090mm]	17" [431mm]	5-5/8" [143mm]
BEF-100BI12	100" [2540mm]	18-1/8" [460mm]	6-3/8" [162mm]	14-1/8" [360mm]	96-1/16" [2440mm]	98-1/4" [2495mm]	17" [431mm]	5-5/8" [143mm]

Installation and Assembly

This appliance is designed to be **slide-in mounted**. It can also be **hardwired** or **plugged into a receptacle** (power cord supplied). Select a suitable location that is not susceptible to moisture and is away from drapes, furniture and high traffic areas.

NOTE: Follow all National and local electrical codes.

MINIMUM CLEARANCE TO COMBUSTIBLES

Measurements are taken from the glass front.			
Bottom	0"	Top	11.8" (300mm) to mantel
Sides	0"	Top	11.8" (300mm) to ceiling
Back	0"	Front	36" (915mm)

WARNING

WHEN USING PAINT OR LACQUER TO FINISH THE MANTEL, THE PAINT OR LACQUER MUST BE HEAT RESISTANT TO PREVENT DISCOLOURATION.

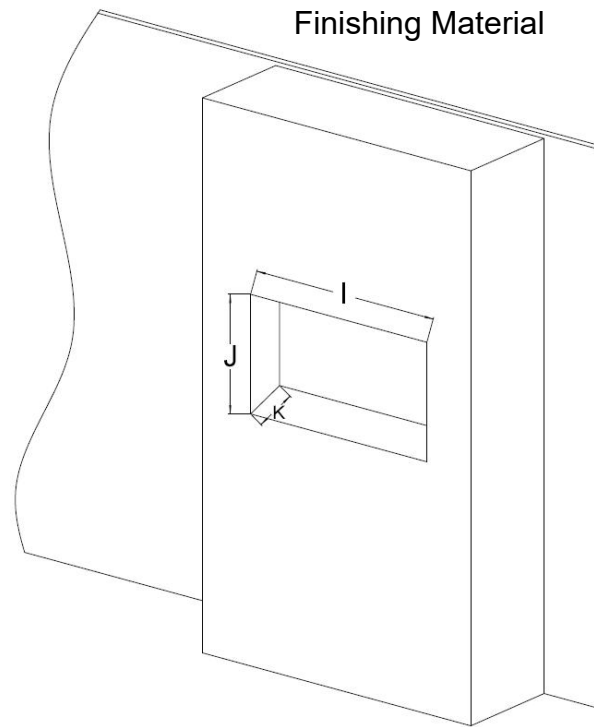
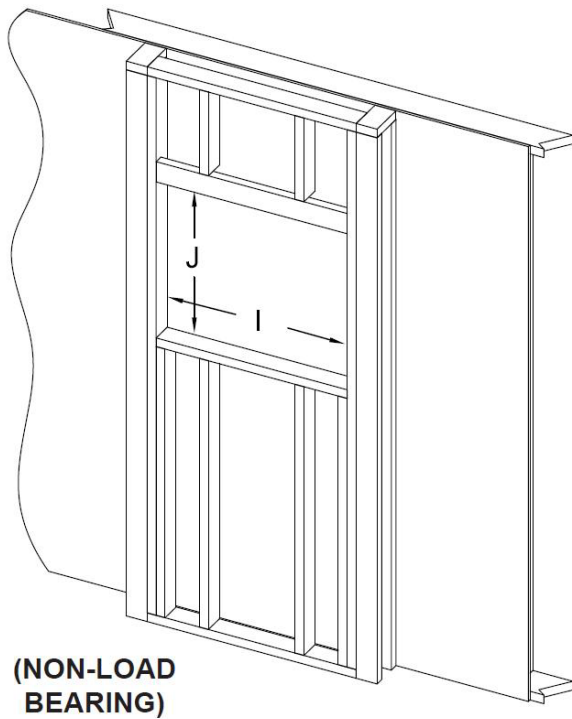
Power

Plug the power cord into a dedicated 220-240 Volt 15 Amp grounded outlet (see **IMPORTANT SAFETY INFORMATION** on **Pages 1 and 2**). Make sure the outlet is in good condition and the plug is not loose. **NEVER** exceed the maximum amperage for the circuit. **DO NOT** plug other appliances into the same circuit.

Pre-installation Built-in

Due to the many different materials used on different walls, it is highly recommended that you consult your local builder before you install this appliance.

- A. Select a location that is not prone to moisture and is located at least 36" (94.1cm) away from combustible materials such as curtain drapes, furniture, bedding, paper, etc.
- B. Create a rough-in frame with electrical (see below "framing").
- C. Remove the front glass (see "front glass removal / installation" section).
- C. Hold the appliance up to ensure it will fit into the framing.



Framing Hole Size			
Model Number	I	J	K
BEF-50BI12	48-1/2" [1232mm]	17" [432mm]	6" [152mm]
BEF-60BI12	58-1/2" [1486mm]	17" [432mm]	6" [152mm]
BEF-72BI12	70-1/2" [1791mm]	17" [432mm]	6" [152mm]
BEF-84BI12	82-1/2" [2096mm]	17" [432mm]	6" [152mm]
BEF-100BI12	98-7/16" [2500mm]	17" [432mm]	6" [152mm]

Front Trim Removal

- A. Take off the screws on both side.(Fig. 1-1)
- B. Carefully lift the front trim up and away from the appliance (Fig. 1-2). Place it face down on a soft, non-abrasive surface.
- C. Reverse these steps to install the front trim.

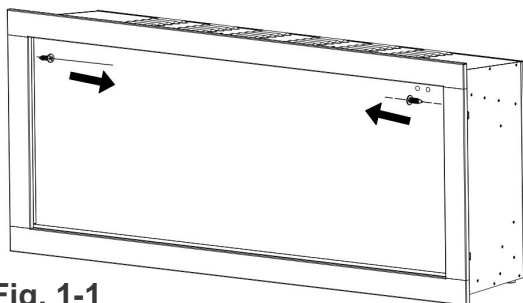


Fig. 1-1

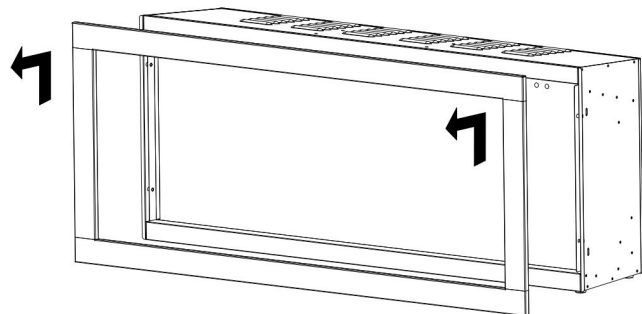


Fig. 1-2

Front Glass Panel Removal

A. With the front trim removed, take off the screws on both side.(Fig. 2-1)

B. With one hand on the front glass to prevent it from falling, remove the screws from the top of the glass. Set the screws aside. (Fig. 2-2)

D. Carefully lift the front glass up and away from the appliance. Place it face down on a soft, non-abrasive surface. (Fig. 2-3)

D. Reverse these steps to install the front glass.

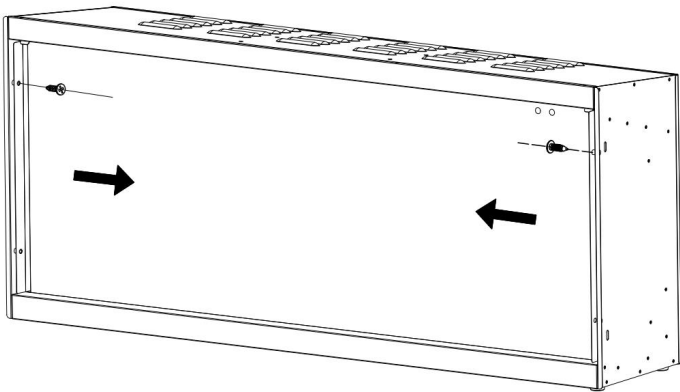


Fig. 2-1

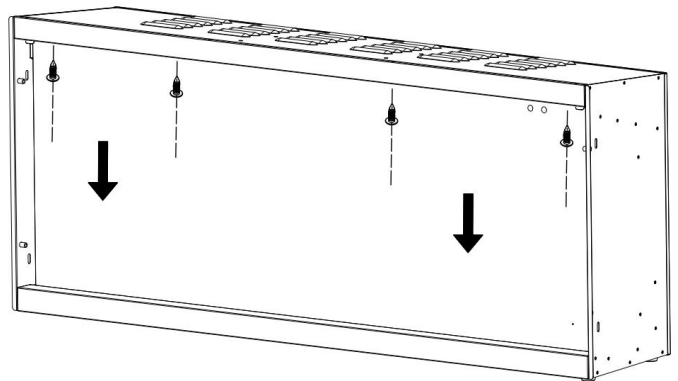


Fig. 2-2

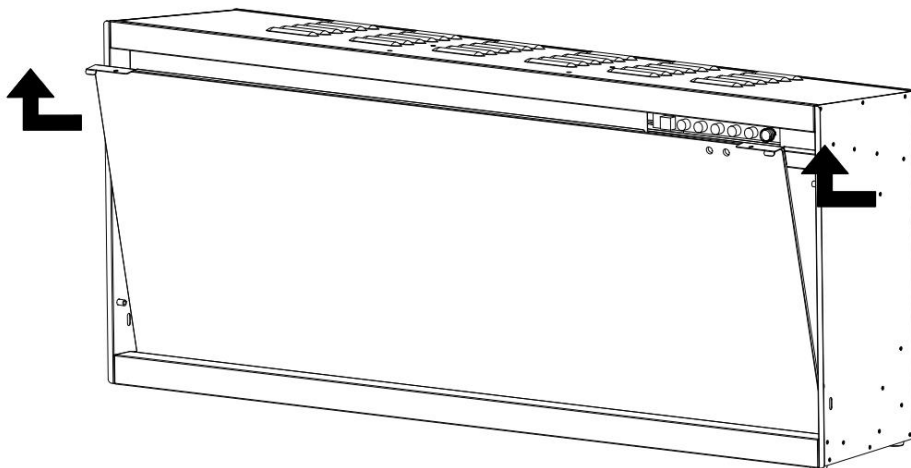


Fig. 2-3

Wall Recessed Installation

- A. With the front glass removed, take off the screws on both side.(Fig. 3-1)
- B. Carefully take the metal bracket(s) away from the appliance. Place it face down on a soft, non-abrasive surface. (Fig. 3-2)
- C. Power the fireplace by plugging into the wall receptacle.
- D. Insert the fireplace into the rough-in frame and then secure it by installing 4 wood screws (A) through the holes (Fig. 3-3, Fig 3-4).
- E. Install the logs, and put the glacier crystals into the ember bed, then re-install the front glass and front trim. See below section for driftwood logs and glacier crystals installation.
- F. Optionally, secure the fireplace by installing 4 wood screws through the mounting holes on the front (Fig. 3-5)

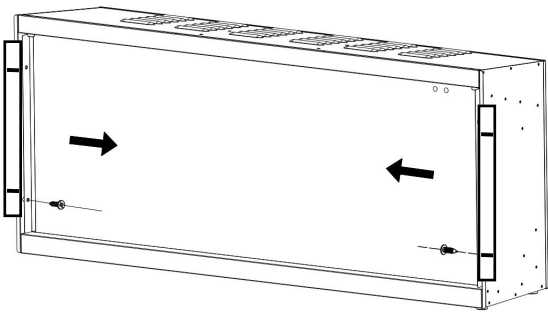


Fig. 3-1

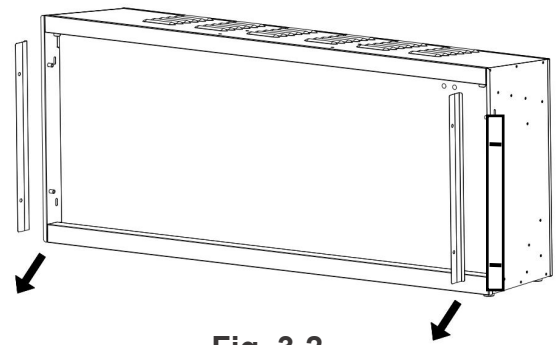


Fig. 3-2

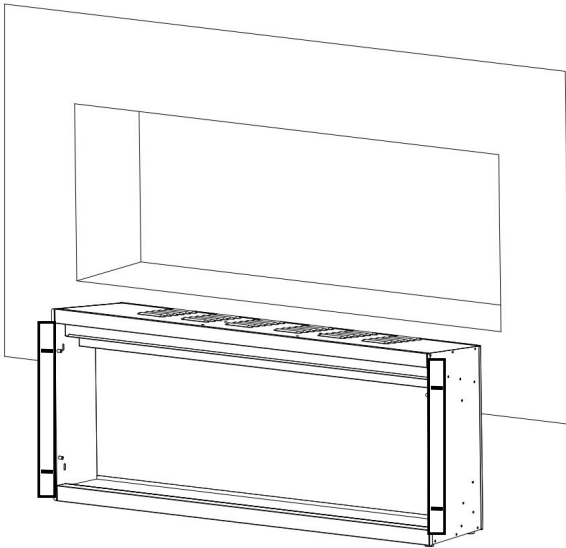


Fig. 3-3

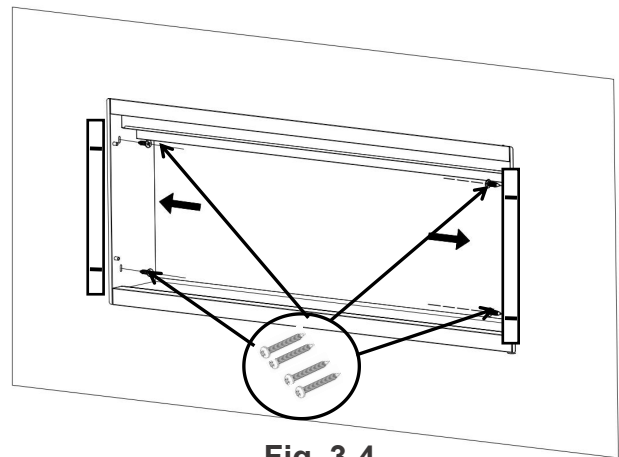


Fig. 3-4

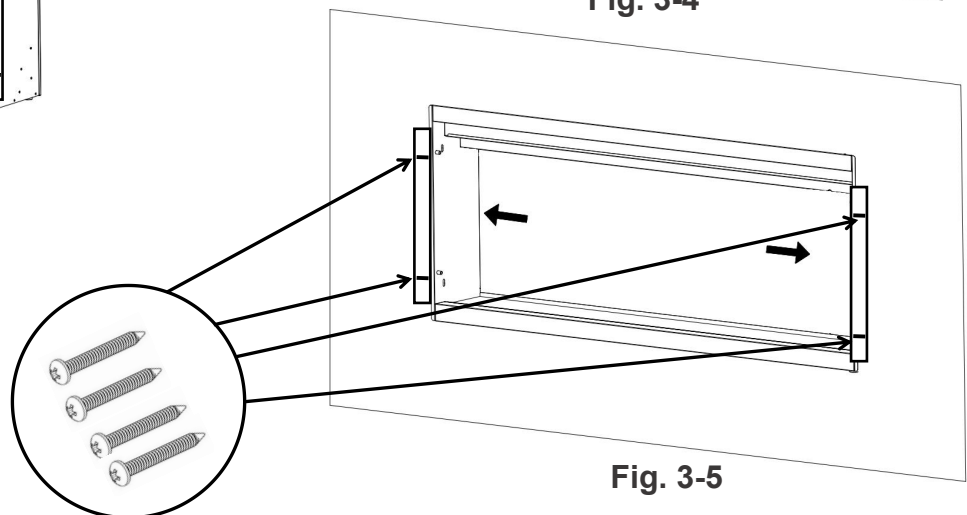


Fig. 3-5

Wall Mounted Installation

Due to the many different materials used on different walls, it is highly recommended that you consult your local builder before you install this appliance on the wall.

Step 1: Select a location that is not prone to moisture and is located at least 36" (914mm) away from combustible materials, such as curtain drapes, furniture, bedding, paper, etc.

Step 2: Have two (2) people position the appliance against the wall where it will be mounted. Use a bubble level to ensure the fireplace is level on the wall. Mark the location.

Step 3: Place the unit face down on a soft, non-abrasive surface. Remove the bracket from the back of the unit by removing the screws as shown in Fig. 3-6.

Step 4: CAUTION! It is required that the mounting bracket be screwed into wall studs.

Mark the location of the screw locations on the wall. Then mount the bracket on the wall using the supplied screws. The bracket **MUST** have the hooks facing upward and be level.

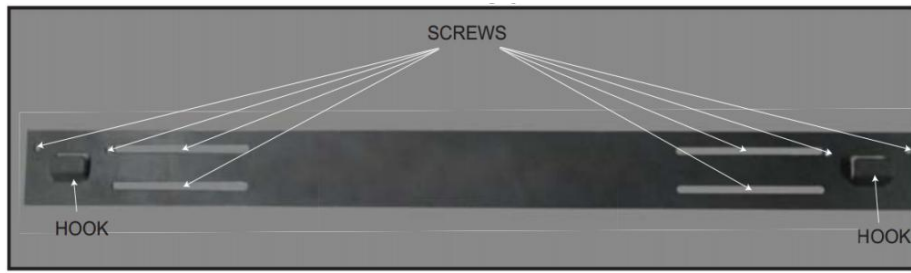
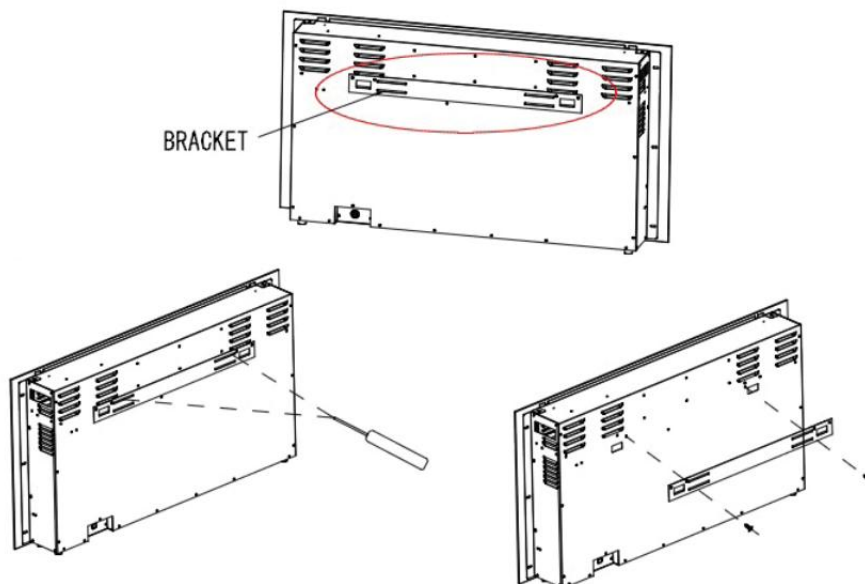


Fig. 3-6

Step 5: With the wall mounting bracket installed to the wall, have two (2) people lift the appliance and insert the two (2) hooks on the bracket into the two (2) slots on the back of the fireplace.

Step 6: Check the fireplace for stability, ensuring that the bracket will not pull free from the wall.



Wall Bracket Illustrated

“L” Shape Bracket Installation

A. Remove the silver screw at the bottom of the appliance. **(Fig 4-1)**. Set the screw aside.

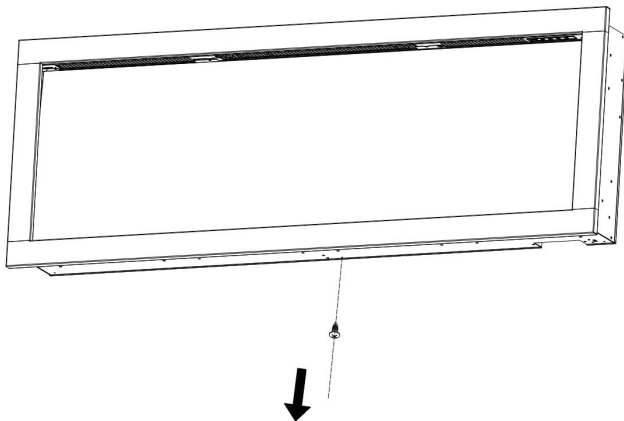


Fig 4-1

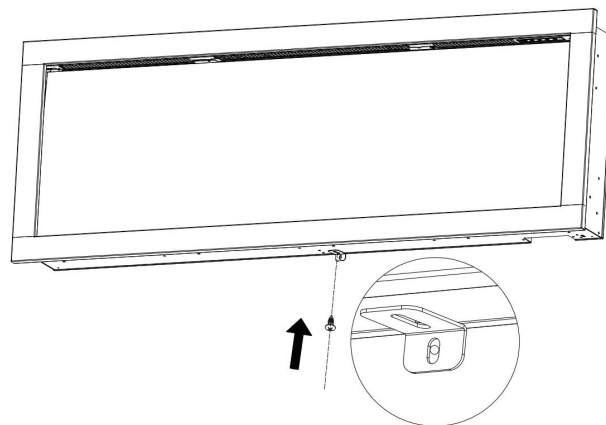


Fig 4-2

B. Using the screw previously removed, attach the L-bracket (supplied) to the bottom of the fireplace box. **(Fig 4-2)**

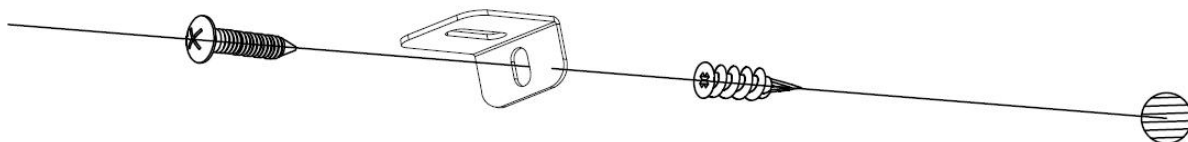


Fig 4-3

C. Install the plastic anchor **(B)** into the drywall, then install the screw **A** (supplied) into the hole of the **L-bracket** into the wall anchor to secure the fireplace from coming off the hooks. **(Fig 4-3)**

Crystals and Driftwood Logs Installation

- A. Glass front must be removed and the appliance must be mounted in its final location before the glacier crystals and driftwood logs are installed.
- B. Carefully place the clear or smoked crystals into the plastic tray as illustrated. Apply an even layer from side to side. **(Fig.6-1)**
- C. Carefully place the driftwood logs on the surface of the glacier crystals. **(Fig.6-2)**
- D. Re-install the front glass and the front trim.



Fig.6-1



Smoked Crystals



Fig.6-2

Operation



Read and understand this entire owner's manual, including **all safety information**, **before plugging in** or **using** this product. Failure to do so could result in **electric shock, fire, serious injury, or death.**

Methods of Operation

This electric fireplace can be operated by the CONTROL PANEL, located on the UPPER right corner of the fireplace, by the battery-powered REMOTE CONTROL and by the Tuya APP.

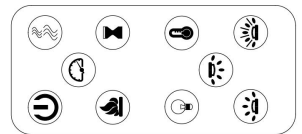
Bluetooth Speaker Connection

This appliance is equipped with a Bluetooth audio speaker. It does not require an App and will play music on the mobile device as a wireless speaker.

1. Once the appliance is plugged in, use your mobile device to search for the Bluetooth signal called "Bluetooth".
2. Connect with the "Bluetooth" signal.
You will hear a "BEEP" sound from the appliance if the connection is successful.





Control Panel

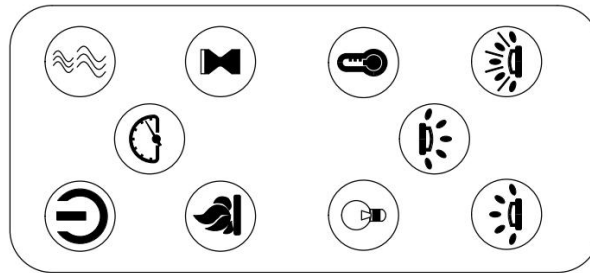


Remote control




Control Panel Operation







BUTTON	FUNCTION	ACTION & INDICATION
 POWER	ON: Enables control panel functions and remote control. Turns on flame effect. OFF: Disables control panel functions and remote control. Turns off flame effect.	<ol style="list-style-type: none"> 1. Press once. Indicator light turns on. Power turns on. All functions enabled. 2. Press again. Flame effect turns off. Unit goes to standby. All functions turn off.
 FLAME	FLAME button: Changes flame color.	<ol style="list-style-type: none"> 1. Press once: Flame color illuminates. 2. Press again until desired color is reached. There is a total of 10 flame colors. 01-02-03-04-05-06-07-08-09-10-11(Auto Cycle)


 HEATER	<p>HEATER button: Turns heater on and off.</p> <p>NOTE: The heater only works when the flame is on. If the flame is off, the heater will not turn on.</p> <p>NOTE: To prevent overheating, the heater fan will blow cool air for 8-10 seconds after the heater turns off.</p>	<p>Turns the heater and blower on/off.</p> <p>Settings:</p> <p>H0 - Heater and blower off</p> <p>H1 - Low Heater on with 750W</p> <p>H2 - High Heater on with 1500W</p> <p>NOTE: Press and hold the heater button for 5 seconds to lock/unlock the heater and thermostat.</p>
 TIMER	<p>TIMER button: Controls timer settings to turn off fireplace at selected time.</p> <p>Settings range from 30 min to 8 hours.</p>	<ol style="list-style-type: none"> Press once: Indicator light turns on. Timer defaults to 30 min. Press again until desired setting is reached.



Remote Control Operation

BUTTON	FUNCTION	ACTION & INDICATION
 POWER	<p>ON: Enables control panel functions and remote control. Turns on flame effect.</p> <p>OFF: Disables control panel functions and remote control. Turns off flame.</p>	<ol style="list-style-type: none"> Press once. Indicator light turns on. Power turns on. All functions enabled. Press again. Flame effect turns off. Unit goes to standby. All functions turn off.
 FLAME SPEED	<p>Flame speed button: Controls the speed of the flame. There are 4 flame speed settings.</p> <p>The Default setting is 02 (medium speed).</p>	<ol style="list-style-type: none"> Press once: Indicates current flame speed. Press again until desired setting is reached. Display shows the setting. <p>01 (Slowest), 02 (Medium), 03 (Fast), 04(Turbo)</p>
 FLAME	<p>FLAME button: Changes flame color.</p>	<ol style="list-style-type: none"> Press once: Flame color illuminates. Press again until desired color is reached. There is a total of 10 flame colors. <p>01-02-03-04-05-06-07-08-09-10-11(Auto Cycle)</p>

 FLAME BRIGHTNESS	<p>FLAME brightness button: Makes flame dimmer and brighter.</p>	<ol style="list-style-type: none"> Press once: Flame brightness enabled. Press again until desired setting is reached. F5-F4-F3-F2-F1-F0(OFF) 																																							
 HEATER	<p>HEATER button: Turns heater on and off.</p> <p>NOTE: The heater only works when the flame is on. If the flame is off, the heater will not turn on.</p> <p>NOTE: To prevent overheating, the heater fan will blow cool air for 8-10 seconds after the heater turns off.</p>	<p>Turns the heater and blower on/off.</p> <p>Settings:</p> <p>H0 - Heater and blower off</p> <p>H1 - Low Heater on with 750W</p> <p>H2 - High Heater on with 1500W</p> <p>NOTE: Press and hold the heater button for 5 seconds to lock/unlock the heater and thermostat.</p>																																							
 TIMER	<p>TIMER button: Controls timer settings to turn off fireplace at selected time.</p> <p>Settings range from 30 min to 8 hours.</p>	<ol style="list-style-type: none"> Press once: Indicator light turns on. Timer defaults to 30min. Press again until desired setting is reached. 																																							
 EMBER BED	<p>EMBER BED button: Turns on media bed and changes color.</p>	<ol style="list-style-type: none"> Press once: Turns on ember bed. Press again until desired color is reached. There is a total of 10 flame colors. <p>01-02-03-04-05-06-07-08-09-10-11 (Auto Cycle)-12 (Lock)</p>																																							
 EMBER BED BRIGHTNESS	<p>EMBER BED brightness button: Makes media bed dimmer and brighter.</p>	<ol style="list-style-type: none"> Press once: Brightness becomes active. Press again until desired setting is reached. There is a total of 4 brightness levels and 1 pulsating level. <p>L5-L4-L3-L2-L1 (Pulsating)-L0(OFF)</p>																																							
 TEMP	<ol style="list-style-type: none"> Press once: Touch panel indicator becomes active. Press again until desired temperature is reached. Digital display shows settings 0-10. <p>Table below shows corresponding temperatures:</p> <table border="1" data-bbox="269 1738 1507 1885"> <tr> <td>NO</td> <td>0</td> <td>1</td> <td>2</td> <td>3</td> <td>4</td> <td>5</td> <td>6</td> <td>7</td> <td>8</td> <td>9</td> <td>10</td> <td>NO</td> </tr> <tr> <td>°C</td> <td>20</td> <td>21</td> <td>22</td> <td>23</td> <td>24</td> <td>25</td> <td>26</td> <td>27</td> <td>28</td> <td>29</td> <td>30</td> <td>C</td> </tr> <tr> <td>°F</td> <td>68</td> <td>70</td> <td>72</td> <td>74</td> <td>76</td> <td>78</td> <td>80</td> <td>82</td> <td>84</td> <td>86</td> <td>88</td> <td>F</td> </tr> </table> <p>NOTE: Press the button for 5 seconds to switch between ° C and ° F.</p>		NO	0	1	2	3	4	5	6	7	8	9	10	NO	°C	20	21	22	23	24	25	26	27	28	29	30	C	°F	68	70	72	74	76	78	80	82	84	86	88	F
NO	0	1	2	3	4	5	6	7	8	9	10	NO																													
°C	20	21	22	23	24	25	26	27	28	29	30	C																													
°F	68	70	72	74	76	78	80	82	84	86	88	F																													

 <p>DOWN LIGHT</p>	<p>DOWN LIGHT button: Turns on LED down light and changes color.</p>	<p>1. Press once: Turns on LED down light.</p> <p>2. Press again until desired color is reached. There is a total of 10 flame colors.</p> <p>01-02-03-04-05-06-07-08-09-10-11(Auto Cycle)-00(OFF)</p> <p>NOTE: Press and hold the media button for 5 seconds, fireplace enabled to nightlight mode.</p>
--	---	---

NOTICE When the heater is first turned on, a slight odor may be present. This is normal and should not occur again unless the heater is not used for a long period of time.

NOTICE To improve operation, **aim** the remote control at the front of the fireplace. **DO NOT press the buttons too quickly.** Give the unit time to respond to each command.


Temperature Limiting Control

This heater is equipped with a Temperature Limiting Control. Should the heater reach an unsafe temperature, the heater will automatically turn OFF. To reset:

1. Turn the unit off and unplug the cord from the outlet. Wait 5 minutes.
2. Inspect the fireplace to make sure no vents are blocked or clogged with dust or lint. If they are, use a vacuum to clean the vent areas.
3. Plug the cord into the power outlet and turn the unit on.
4. If the problem continues, have your outlet and wiring inspected by a professional.


Remote Control Battery Information


- Remote control uses one **CR2025** battery (**Included**)

 **NEVER** dispose of batteries in **fire**. Failure to observe this precaution **may result in an explosion**. Dispose of batteries at your local hazardous material processing center.

Care and Maintenance

Cleaning

 **ALWAYS** turn the heater **OFF** and **remove the power from the appliance** before cleaning, performing maintenance, or moving the fireplace. Failure to do so could result in **electric shock, fire, or personal injury**.

 **NEVER** immerse in water or **spray with water**. Doing so could result in **electric shock, fire, or personal injury**.

Metal:

- Clean using a soft cloth, slightly dampened with soapy water.
- **DO NOT** use brass polish or household cleaners as these products will damage the metal trim.

Glass:

- Use a good quality glass cleaner sprayed onto a cloth or towel. Dry thoroughly with a paper towel or lint-free cloth.
- **NEVER** use abrasive cleansers, liquid sprays, or any cleaner that could scratch the surface.

Vents:

- Use a vacuum or duster to remove dust and dirt from the heater and vent areas.

Plastic:

- Wipe gently with a slightly damp cloth and a mild solution of dish soap and warm water.
- **NEVER** use abrasive cleansers, liquid sprays, or any cleaner that could scratch the surface.

Maintenance



Risk of electric shock! DO NOT OPEN any panels! No user-serviceable parts inside!



ALWAYS turn the heater **OFF** and **remove power from the appliance** before cleaning, performing maintenance, or moving the fireplace. Failure to do so could result in **electric shock, fire, or personal injury**.

Electrical and Moving Parts:

- The fan motors are lubricated at the factory and will not require lubrication.
- Electrical components are integrated in the fireplace and are not serviceable by the consumer.

Storage:

- Store heater in a clean, dry place when not in use.



WARNING! NO SERVICING of the internal or electrical parts should be performed by the consumer. Do not service the unit yourself.