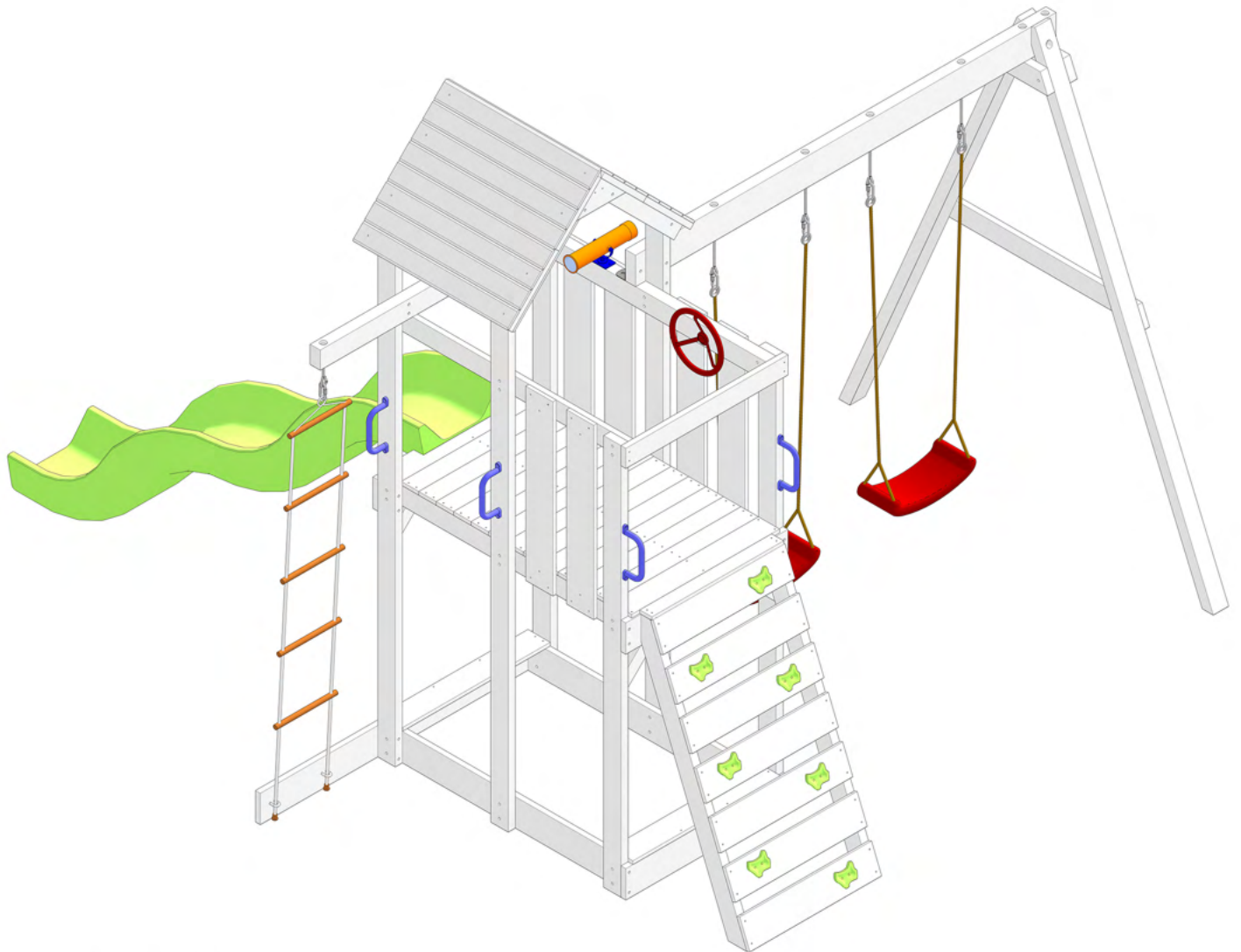


Build Instructions

C627



WARNING

**THIS INSTRUCTION MUST BE KEPTED
RESIDENTIAL HOME USE ONLY, OUT DOOR USE ONLY
THIS UNIT IS NOT INTENDED FOR PUBLIC USE
MAXIMUM WEIGHT IS 200KGS
THIS UNIT IS RECOMMENDED FOR USE BY CHILDREN
3-10 YEARS OF AGE
DON'T INSTALL OVER CONCRETE ASPHALT OR ANY
OTHER HARD SURFACE**

WARNING:

- TO REDUCE THE RISK OF SERIOUS INJURY OR DEATH, YOU MUST READ AND FOLLOW THESE INSTRUCTIONS BEFORE ASSEMBLY AND BEFORE USE.
- PLEASE KEEP THE INSTRUCTIONS
- CONTINUOUS ADULT SUPERVISION IS REQUIRED
- THIS PLAYSET UNIT IS RECOMMENDED FOR USE BY CHILDREN 3-10 YEARS OF AGE
- FOR DOMESTIC USE ONLY. THIS UNIT IS NOT INTENDED FOR PUBLIC USE.
- MAXIMUM LOAD CAPACITY 200KGS, FOR OUTDOOR USE ONLY.
- INSTALLATION OVER CONCRETE, ASPHALT OR ANY HARD SURFACES CREATES A RISK OF SERIOUS INJURY OR DEATH FROM FALLS TO THE GROUND
- INSTALL AND MAINTAIN SHOCK ABSORBING MATERIAL UNDER AND AROUND THIS UNIT AS RECOMMENDED IN THIS MANUAL.

SAFETY DISTANCES:

- Place this unit on level ground at least 2M from any obstruction such as garage or house, fences, poles, trees, sidewalks, walls, landscape, timbers, rocks, pavement, planters, garden borders, overhanging branches, laundry lines, and electrical wires.
- The distance between swing seat and floor should be at least 35cm. Please adjust the height of the swing string to meet this demand.
- Please use ONLY original components.

SAFETY INSTRUCTIONS FOR ASSEMBLY

- The product must be assembled by adults
- Make sure that no children are present during the installation of the play equipment.
- The unit may only be used after complete inspection of all attachments.
- DO NOT step onto the platform until the playground equipment is completely assembled.
- Wear the suitable protective clothing, such as safety glasses, and gloves, during the assembly.
- In order to ensure the stability of the playset, you need to use ground anchors and fix them according to the manual guidance. The anchors can prevent tripping hazards
- This product contains small parts and parts with sharp edges and points. Please keep the parts away from children until fully assembled.

Maintenance:

At the beginning of each play season:

- Tighten all hardware including screws, bolts, hooks, nuts, but do not over-tighten to prevent splintering.
- Check all covering on bolts, pipes edges and corners, replace if they are loose, cracked or missing.
- Check the anchors are stable. Re-secure or replace if needed
- Lubricate all metallic moving parts per this instructions.
- Check the swing hanger hooks are secure and tight. Quick clips should be completely closed and threaded clips screwed tight. Ropes should be secure at both ends so they can not loop back and create an entrapment.
- Check all moving parts including swing seats, ropes and chains and any other accessories for wear, rust or other deterioration. Replace if needed
- Check all wood parts for splinters and cracks, which can naturally occur during the drying process. Remove any splinters that may have formed during this process.
- Re-install any plastic parts, such as swing seats, slide or any other items that were removed for the cold season.

At the end of each play seasons:

- Remove plastic swing seats, slide or any other plastic components and take indoors. Plastic components may become more brittle in cold conditions.

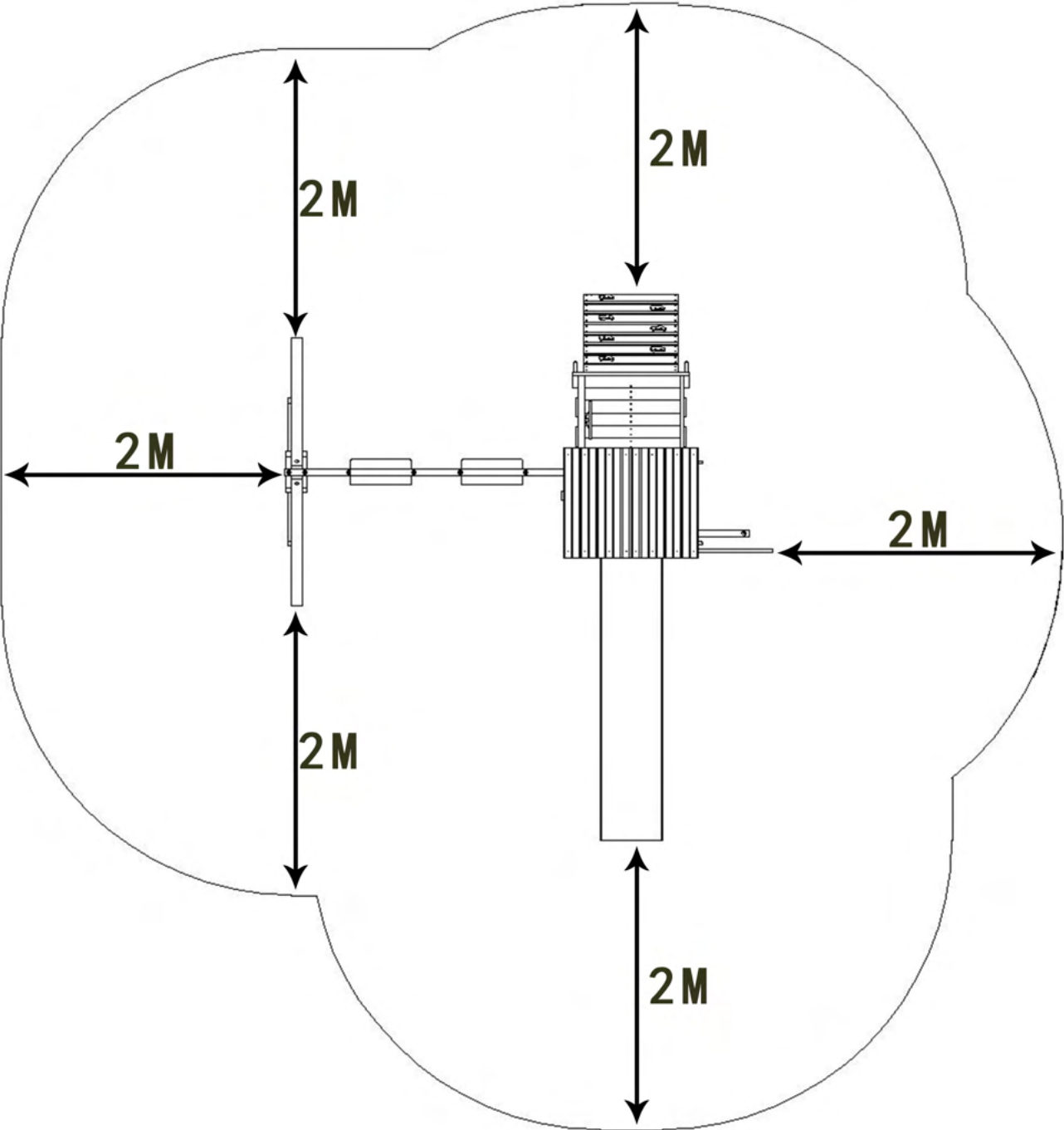
Once a month during play season:

- Check the swing beam and hardware every two weeks due to wood expansion and contraction. It is particularly important that this procedure be followed at the beginning of each season.
- Inspect wood parts monthly. The grain of the wood sometimes will lift in the dry season causing splinters.
- All wood parts are treated before. There is no need further treatment.
- Assembling and maintaining the unit on a level surface is very important. As your children play, your unit will slowly dig its way into the soil, and it is very important that it settles evenly. Make sure the unit is level once each year or at the beginning of each play season.

Disposal

- Once you no longer desire to play with or keep the unit. It should be disassembled and disposed of in such a way that no unreasonable hazards exist at the time the unit is discarded. Follow local waste ordinances.

SAFETY SURFACING REQUIREMENTS

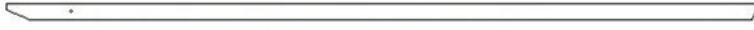


Board list

(Unit:mm)



B1 (1) 2075 × 134 × 50



B2 (2) 2251 × 72 × 50



B3 (1) 1200 × 86 × 50



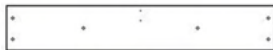
B4 (1) 1230 × 86 × 50



D1 (2) 1200 × 134 × 24



D2 (1) 800 × 134 × 24



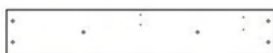
D3 (1) 800 × 134 × 24



D4 (2) 268 × 134 × 24



D5 (1) 1380 × 134 × 24



D6 (1) 800 × 134 × 24



E1 (2) 2260 × 86 × 35



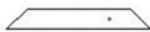
E2 (1) 2260 × 86 × 35



E3 (1) 2260 × 86 × 35




E4 (2) 1930 × 86 × 35



E5 (4) 430 × 60 × 35


Board list

(Unit:mm)


E6 (1) 1200 × 60 × 35



E20 (2) 1290 × 86 × 35


E21 (2) 283 × 85 × 35


F1 (3) 1200 × 86 × 24

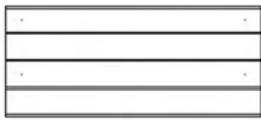

F3 (1) 800 × 86 × 24


F6 (4) 643 × 86 × 24

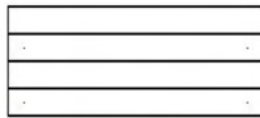

F21 (1) 1020 × 86 × 24

□

T1 (2) 89 × 60 × 24




FP1 (2)





FP2 (2)


H1 (12) 730 × 76 × 16


H2 (2) 730 × 105 × 16


H3 (7) 650 × 134 × 16


H4 (6) 830 × 134 × 16

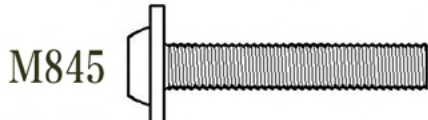

H5 (2) 728 × 110 × 16


H6 (1) 650 × 60 × 16

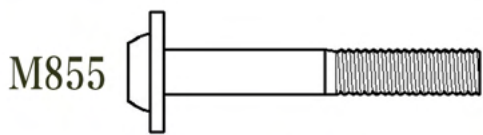
Parts list



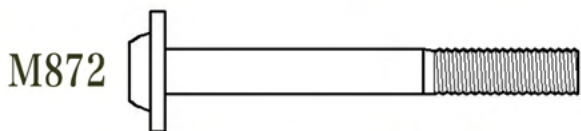
M625
(14) BOLT ϕ 6mm-25mm



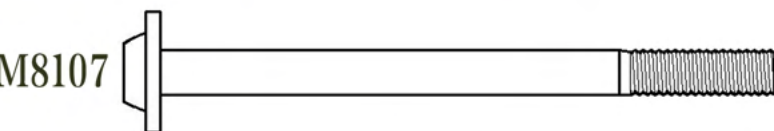
M845
(5) BOLT ϕ 8mm-45mm



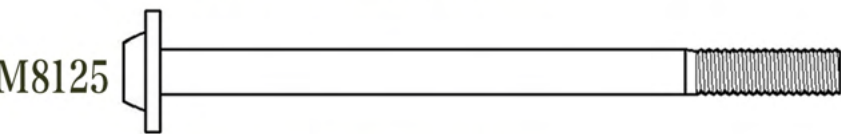
M855
(34) BOLT ϕ 8mm-55mm



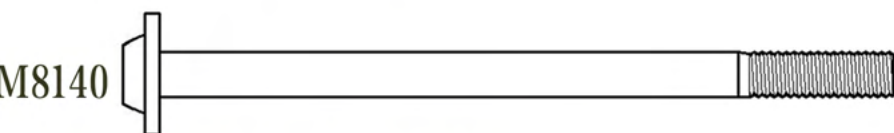
M872
(6) BOLT ϕ 8mm-72mm



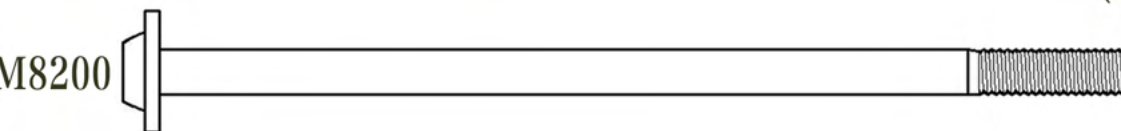
M8107
(21) BOLT ϕ 8mm-107mm



M8125
(6) BOLT ϕ 8mm-125mm



M8140
(2) BOLT ϕ 8mm-140mm



M8200
(2) BOLT ϕ 8mm-200mm



BN815
(8) B-NUT 8X15mm



BN825
(13) B-NUT 8X25mm



BN615
(18) B-NUT 6X15mm



N815
(60) NUT 8X15mm



S435
(140) SCREW ϕ 4-35mm



S440
(16) SCREW ϕ 4-40mm



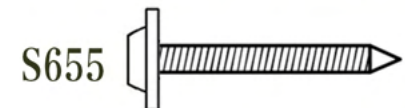
S450
(41) SCREW ϕ 4-50mm



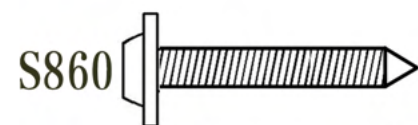
S460
(12) SCREW ϕ 4-60mm



S635
(9) SCREW ϕ 6-35mm




S655
(8) SCREW ϕ 6-55mm



S860
(1) SCREW ϕ 8-60mm

Parts list

AN8 
(4)A-NUT8mm

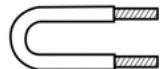
W8/15 
(14)Washer

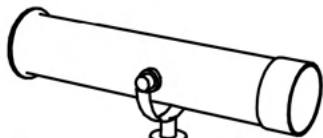
W10/18 
(80)Washer

W12/28 
(5)Washer


(7)ROCK

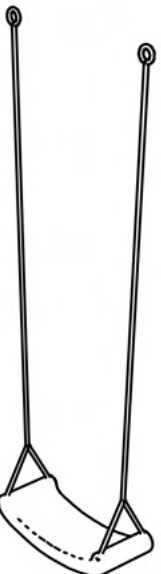

(1)SWINGHANGER QUICK LINK (M)

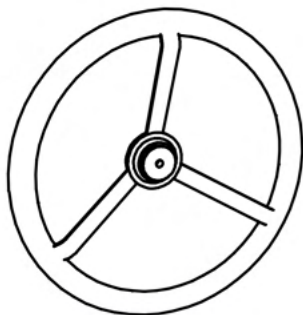

(2)U—Bolt

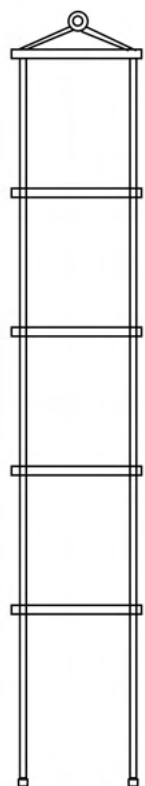

(1)TELESCOPE

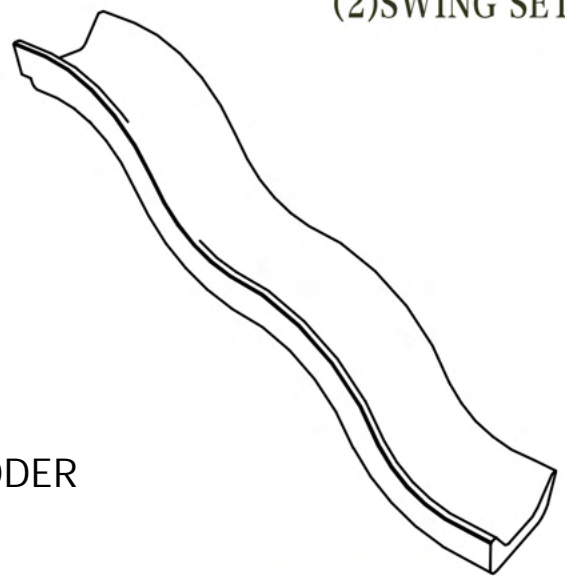

(4)SWINGHANGER QUICK LINK (L)



(4)HAND GRIP


(2)SWING SET

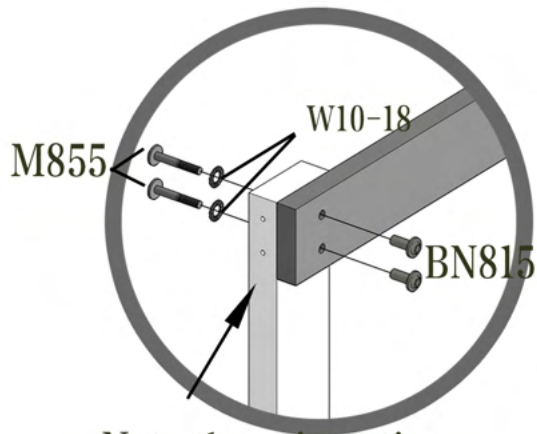

(1)WHEEL


(1)LADDER

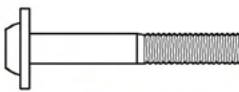

(1)PLASTIC SLIDE


(7)ANCHORS


Step1



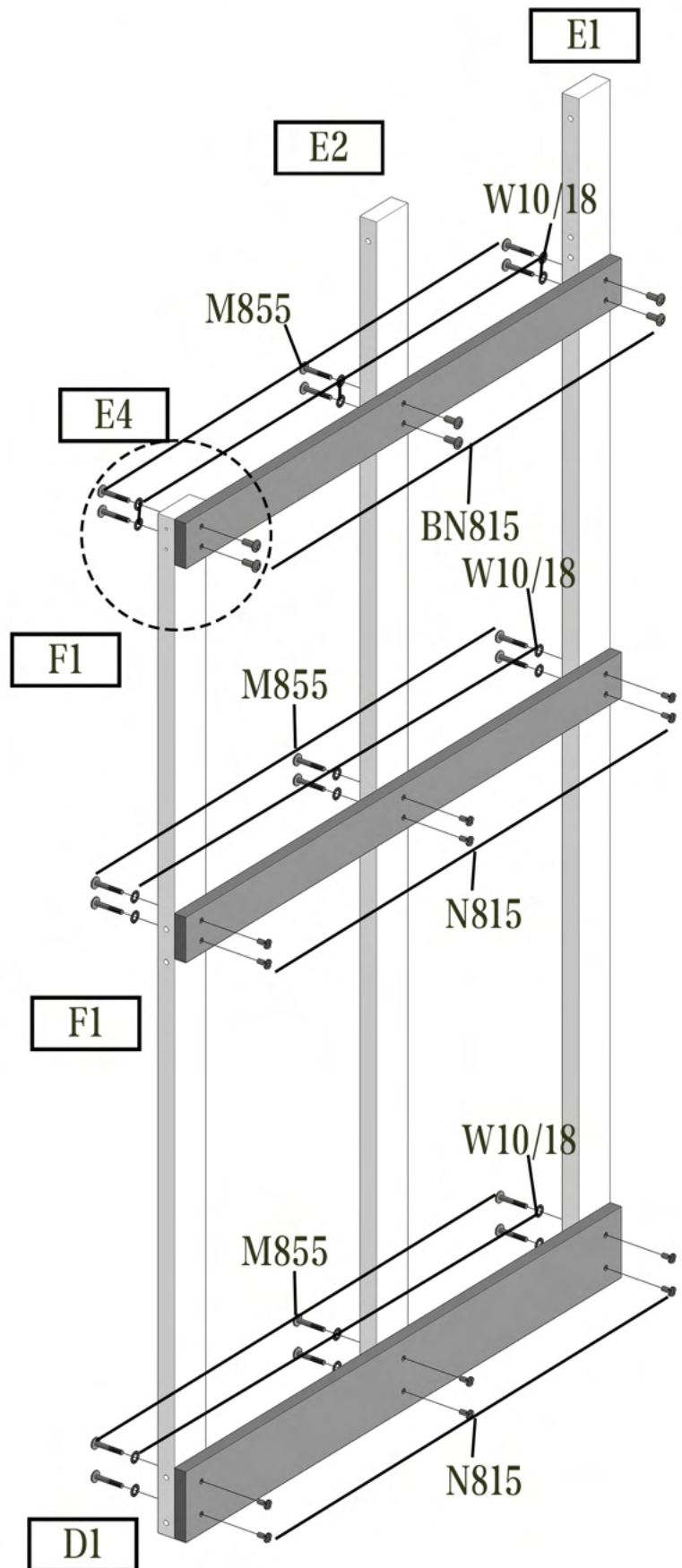
Note the orientation
of the two holes

M855 
(18) BOLT ϕ 8mm-55mm

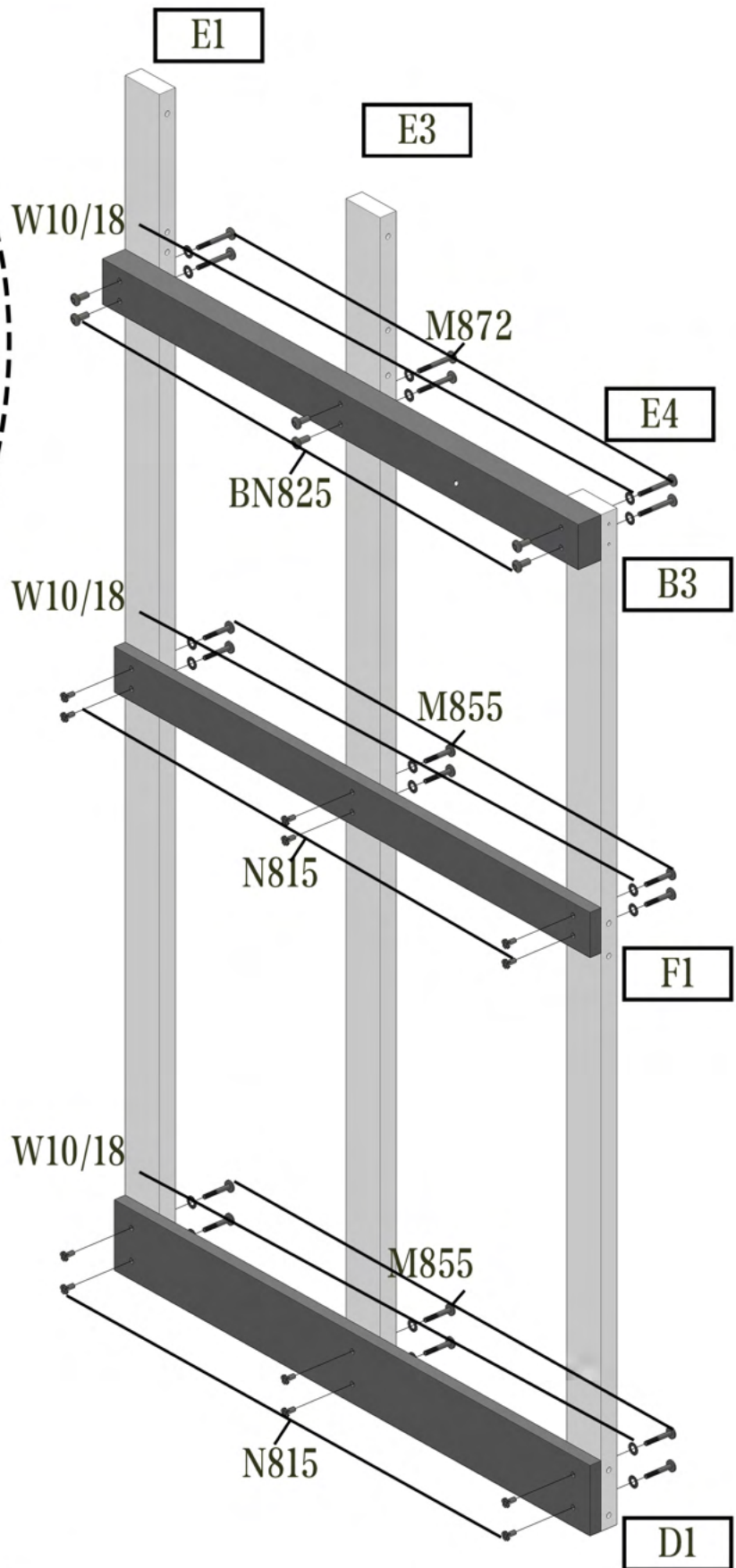
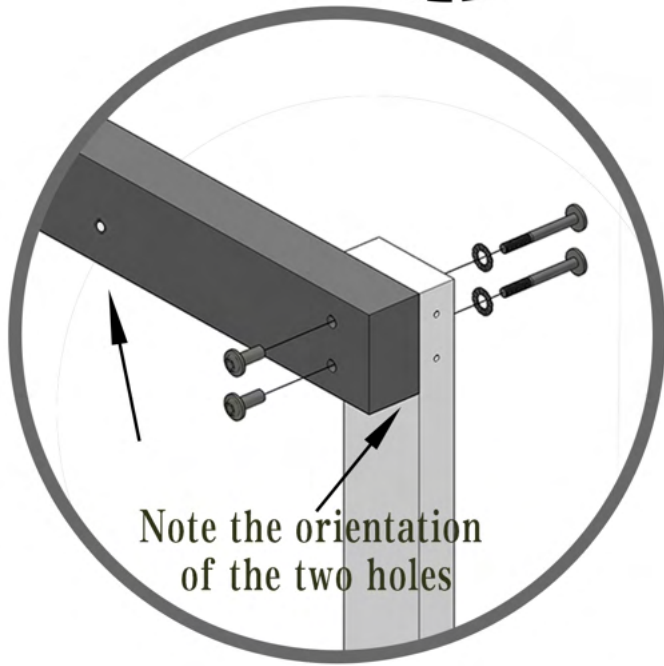
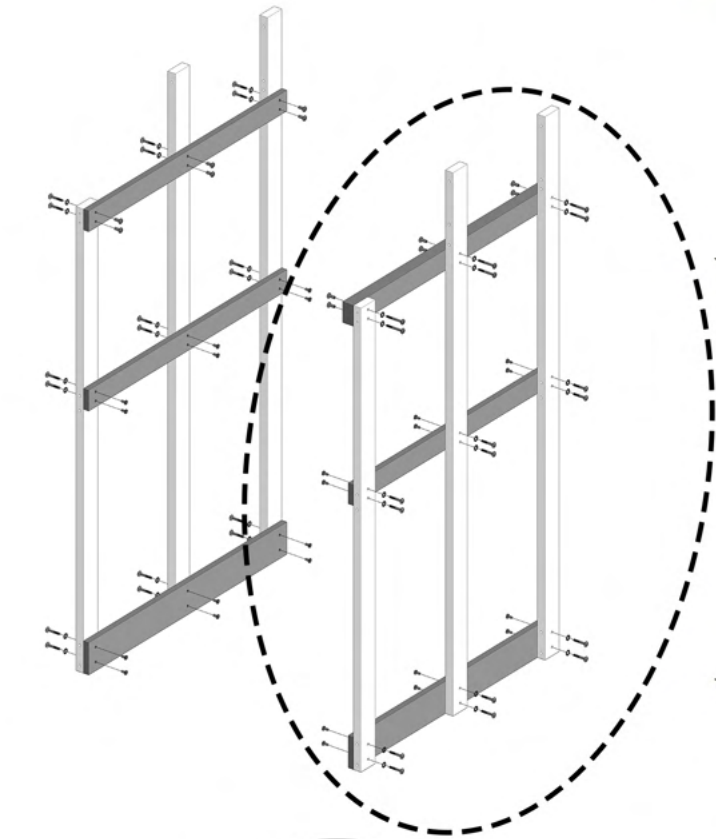
N815 
(12) NUT 8X15mm

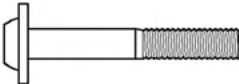
W10/18 
(18) Washer

BN815 
(6) B-NUT 8X15mm

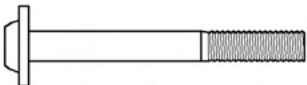


Step2



M855 
 (12) BOLT ϕ 8mm-55mm

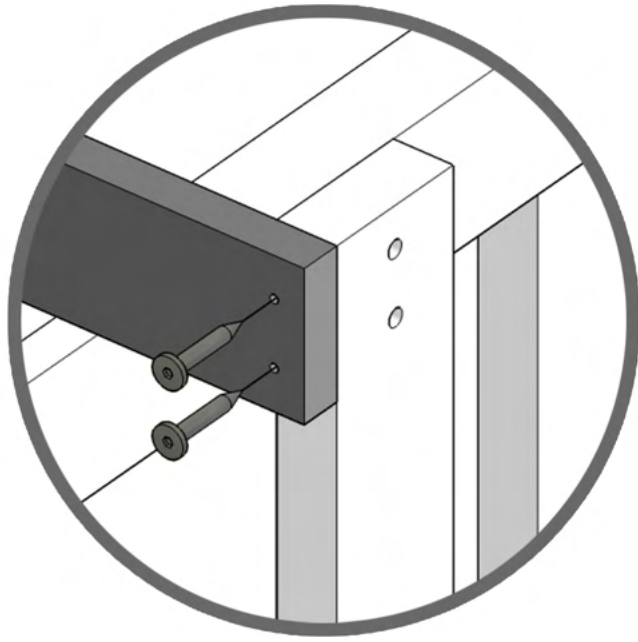
N815 
 (12) NUT 8X15mm

M872 
 (6) BOLT ϕ 8mm-72mm

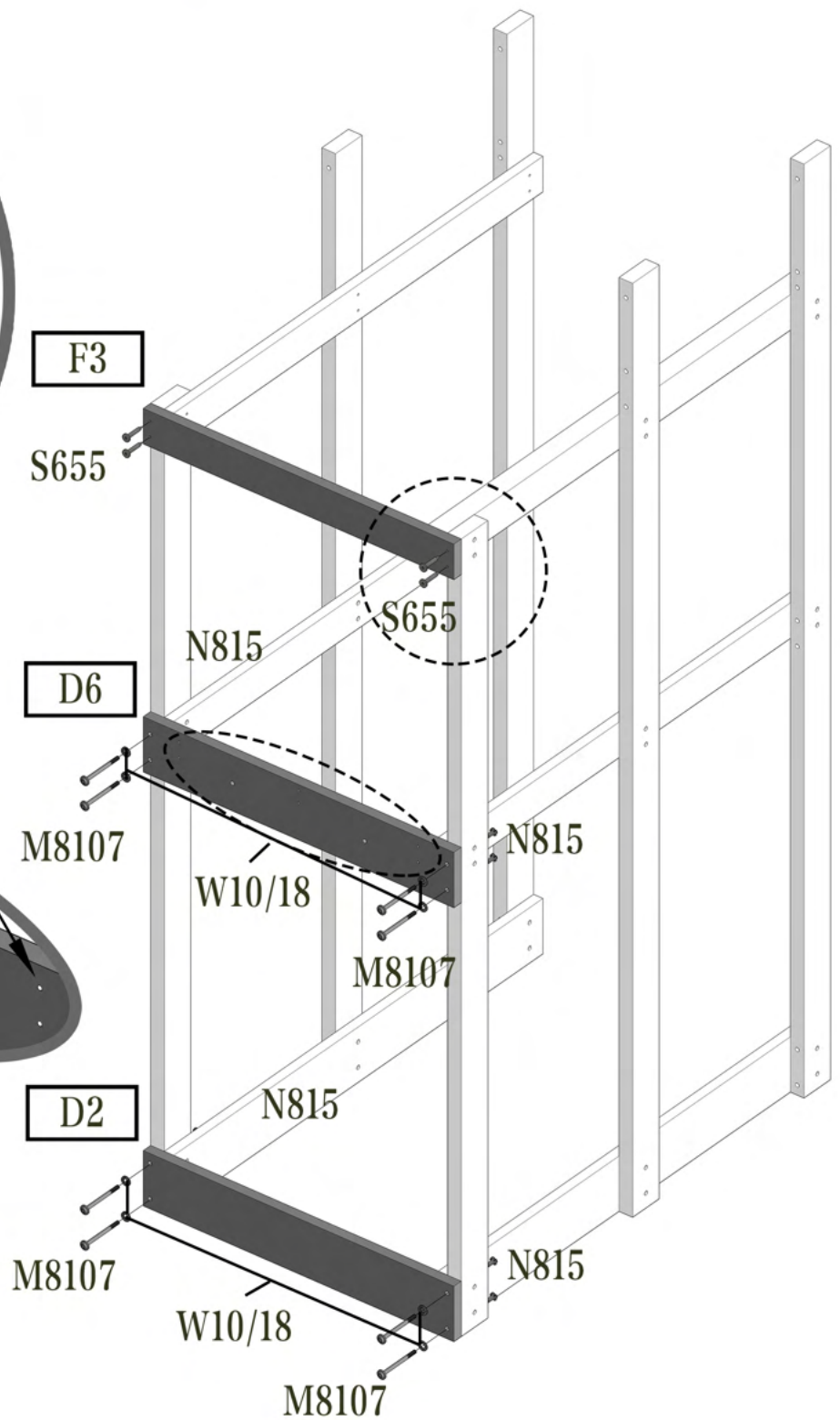
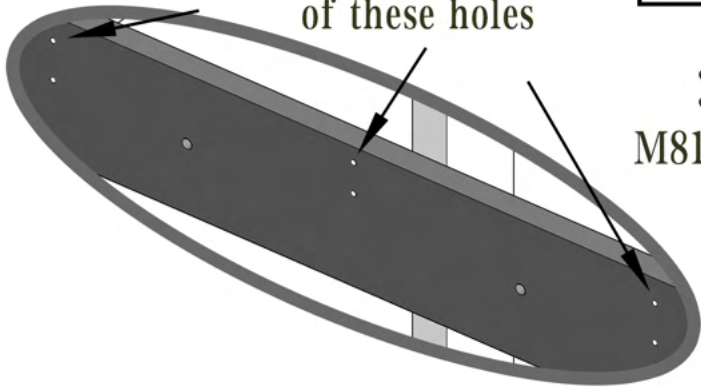
W10/18 
 (18) Washer

BN825 
 (6) B-NUT 8X25mm

Step3



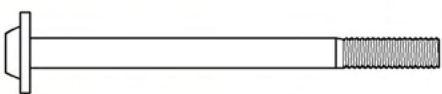
Note the orientation of these holes



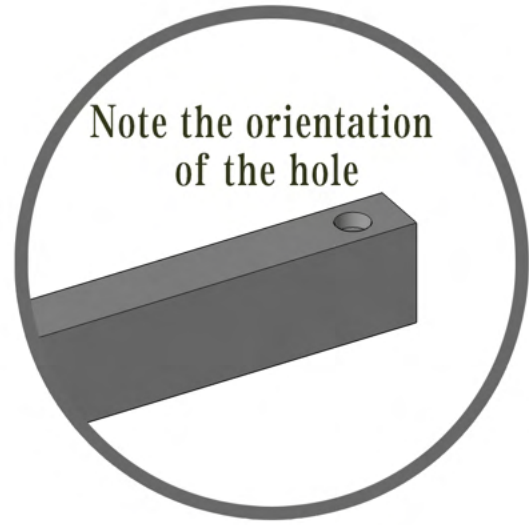
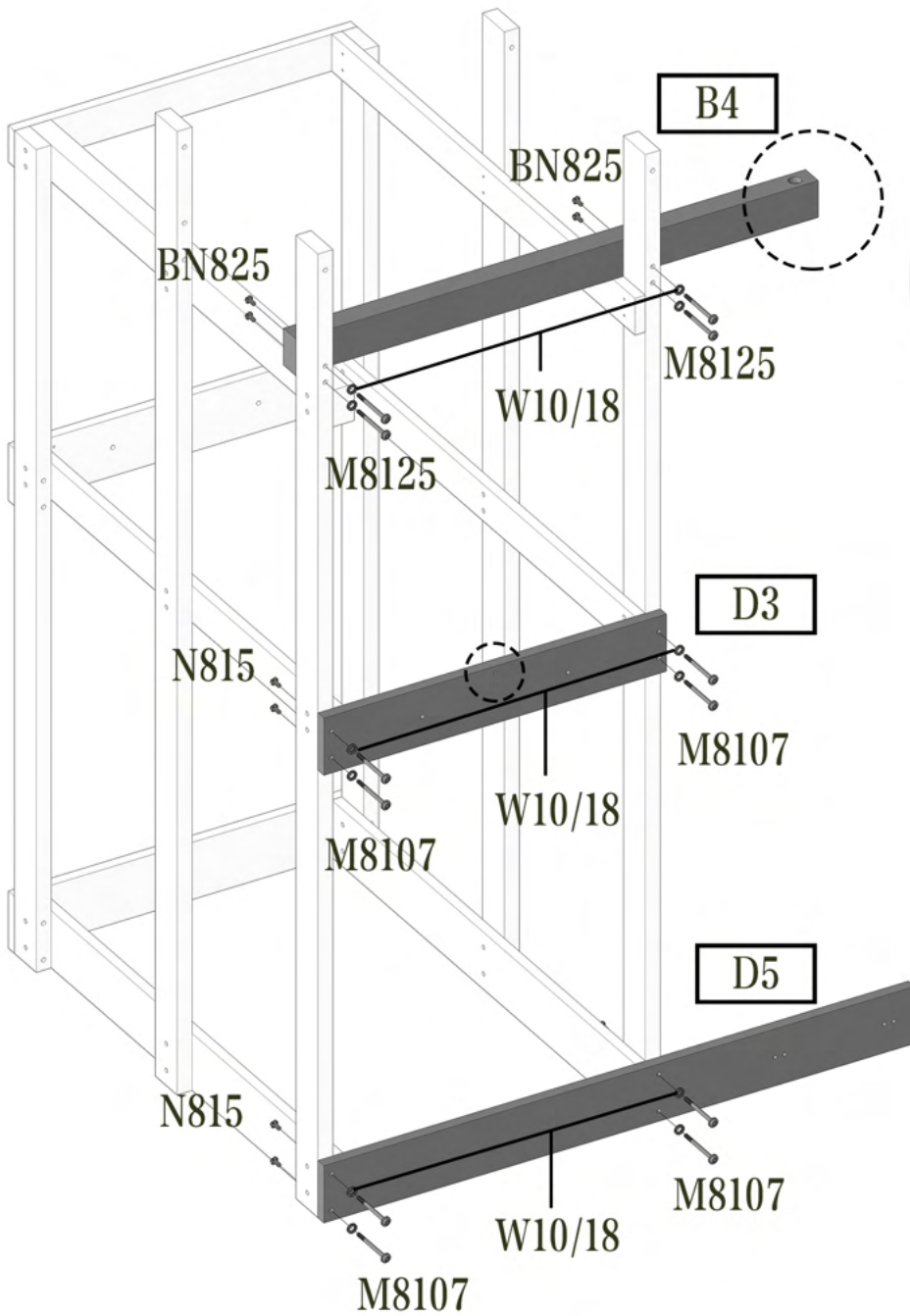
N815 
(8) NUT 8X15mm

W10/18 
(8) Washer

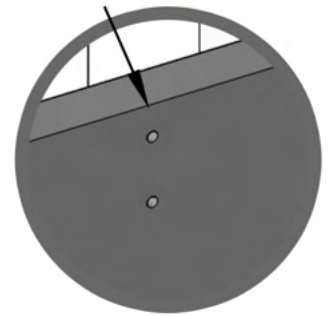
S655 
(4) SCREW ϕ 6-55mm

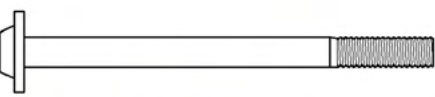
M8107 
(8) BOLT ϕ 8mm-107mm

Step4



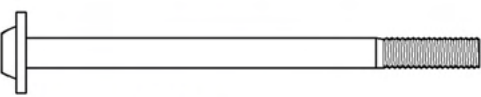
Note the orientation of the two holes



M8107 
 (8) BOLT ϕ 8mm-107mm

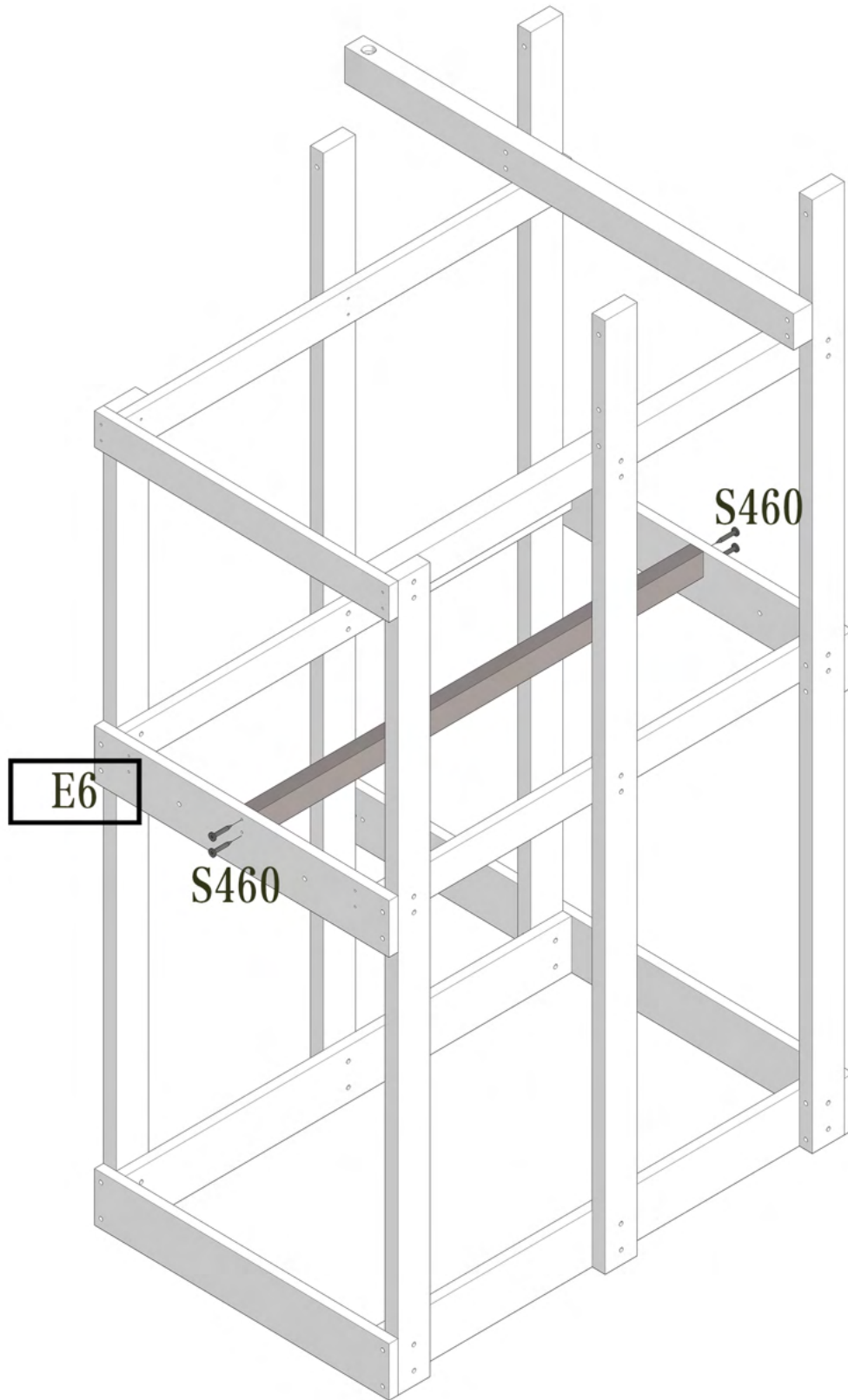
N815 
 (8) NUT 8X15mm

BN825 
 (4) B-NUT 8X25mm

M8125 
 (4) BOLT ϕ 8mm-125mm

W10/18 
 (12) Washer

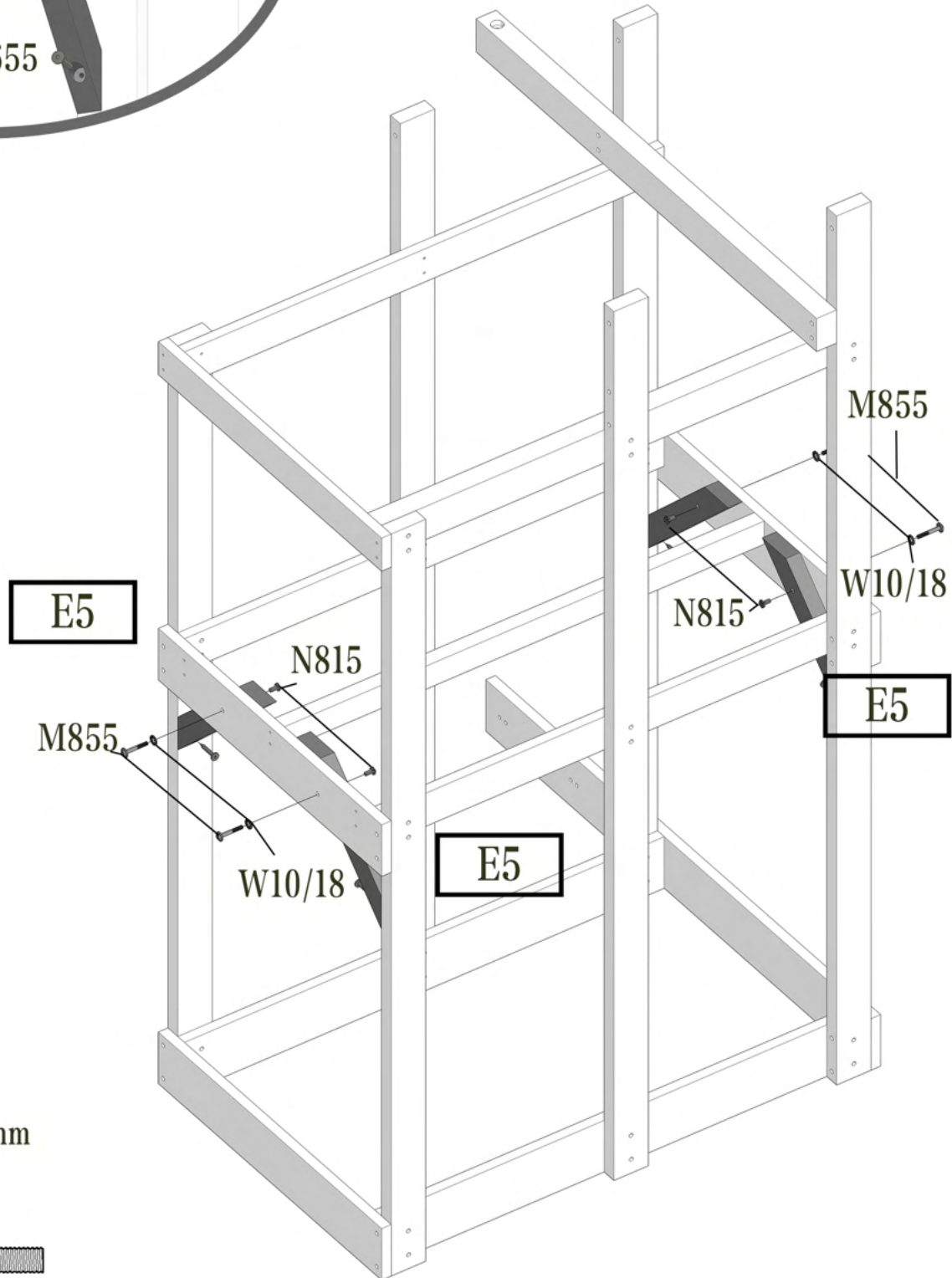
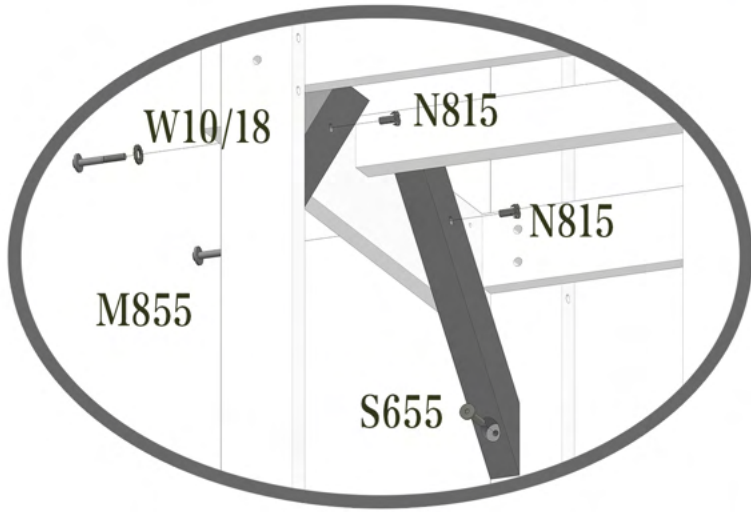
Step5



S460 

(4) WH4mm-SCREW60mm

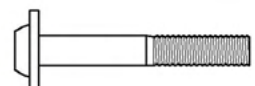
Step6



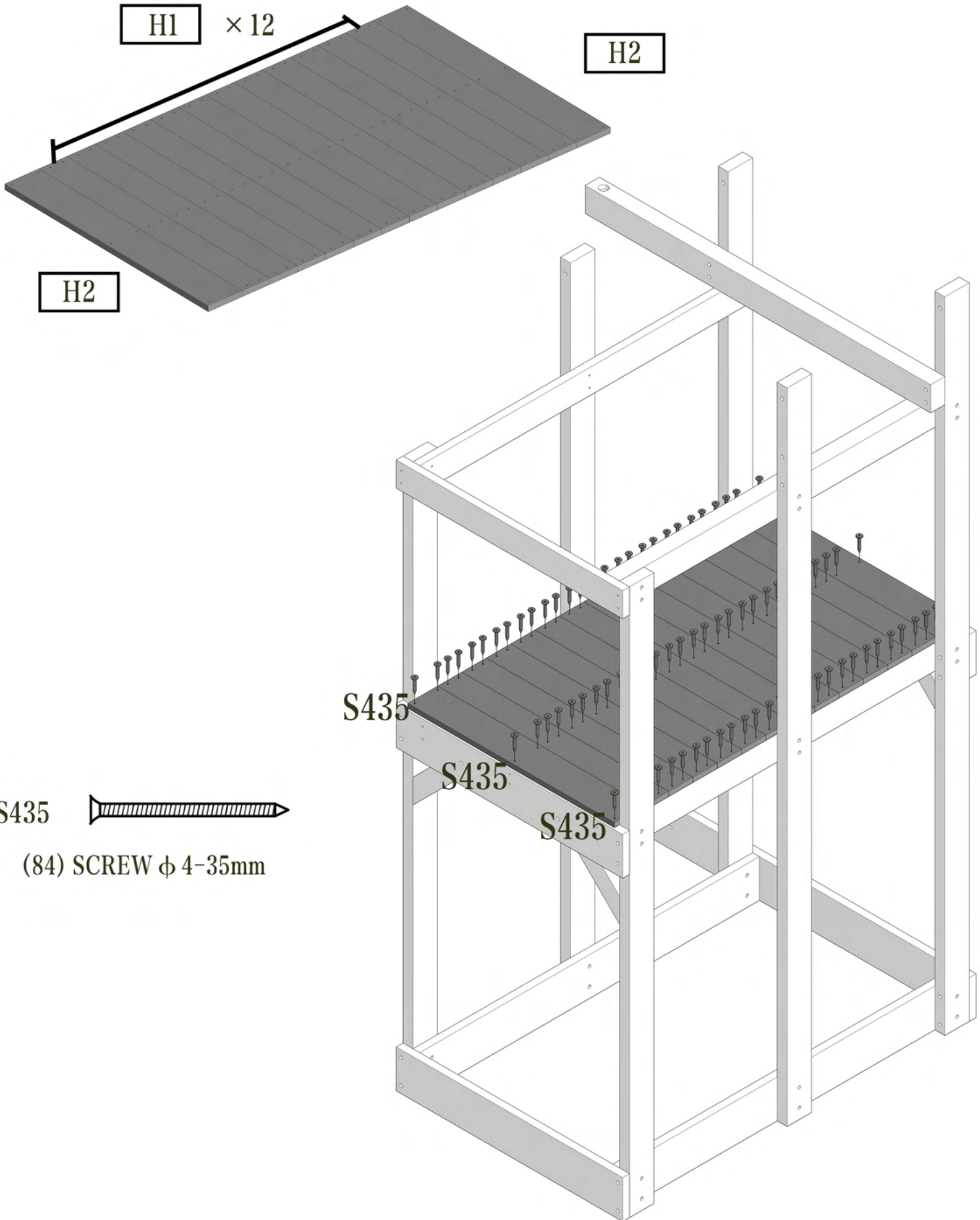
N815 
(4) NUT 8X15mm

W10/18 
(4) Washer

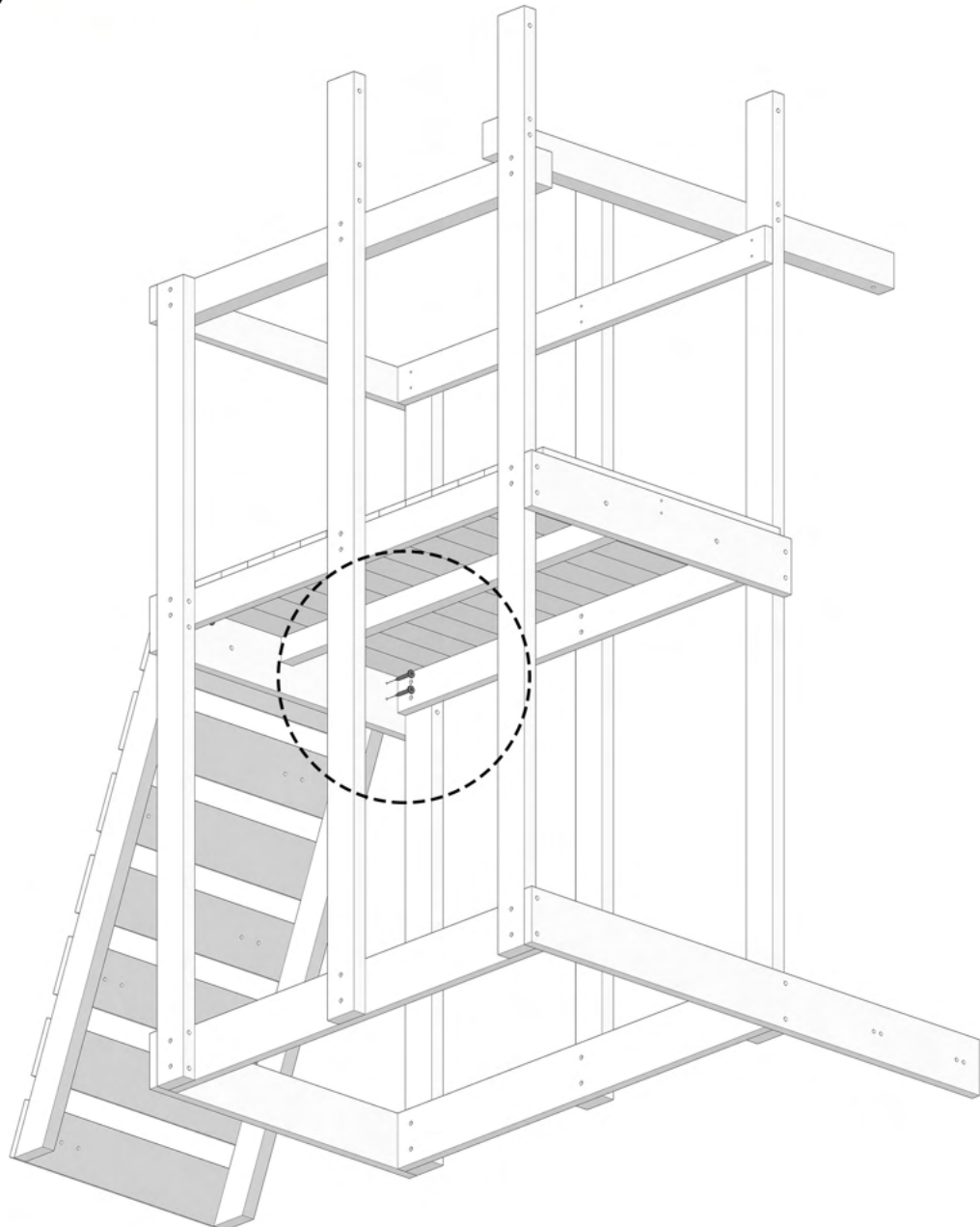
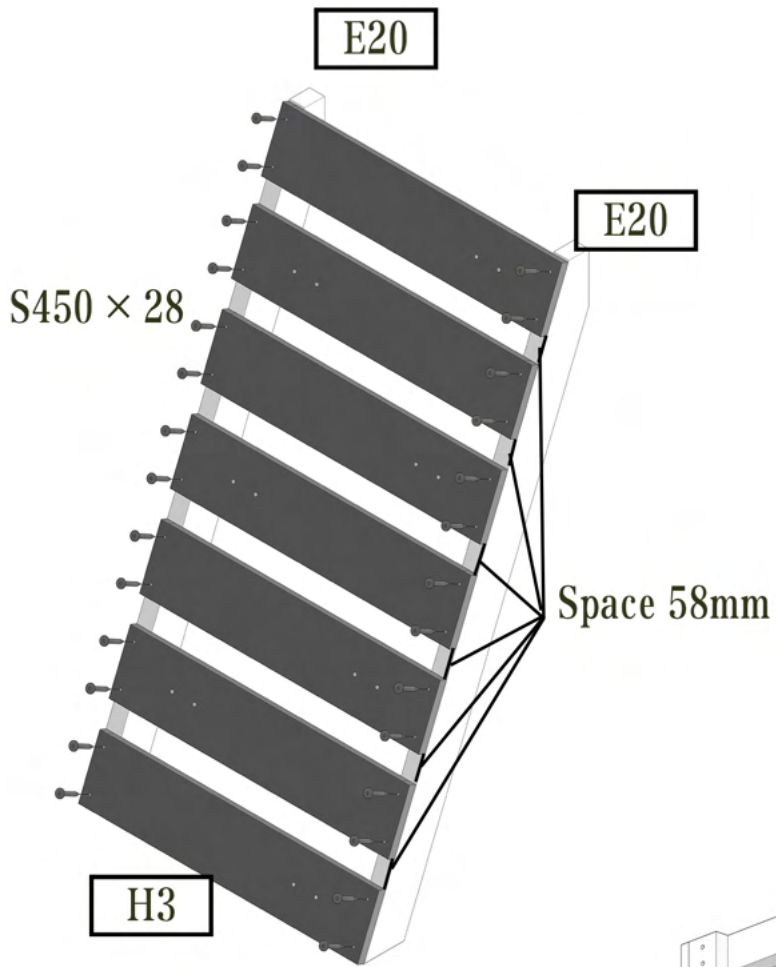
S655 
(4) SCREW ϕ 6-55mm

M855 
(4) BOLT ϕ 8mm-55mm

Step 7



Step8



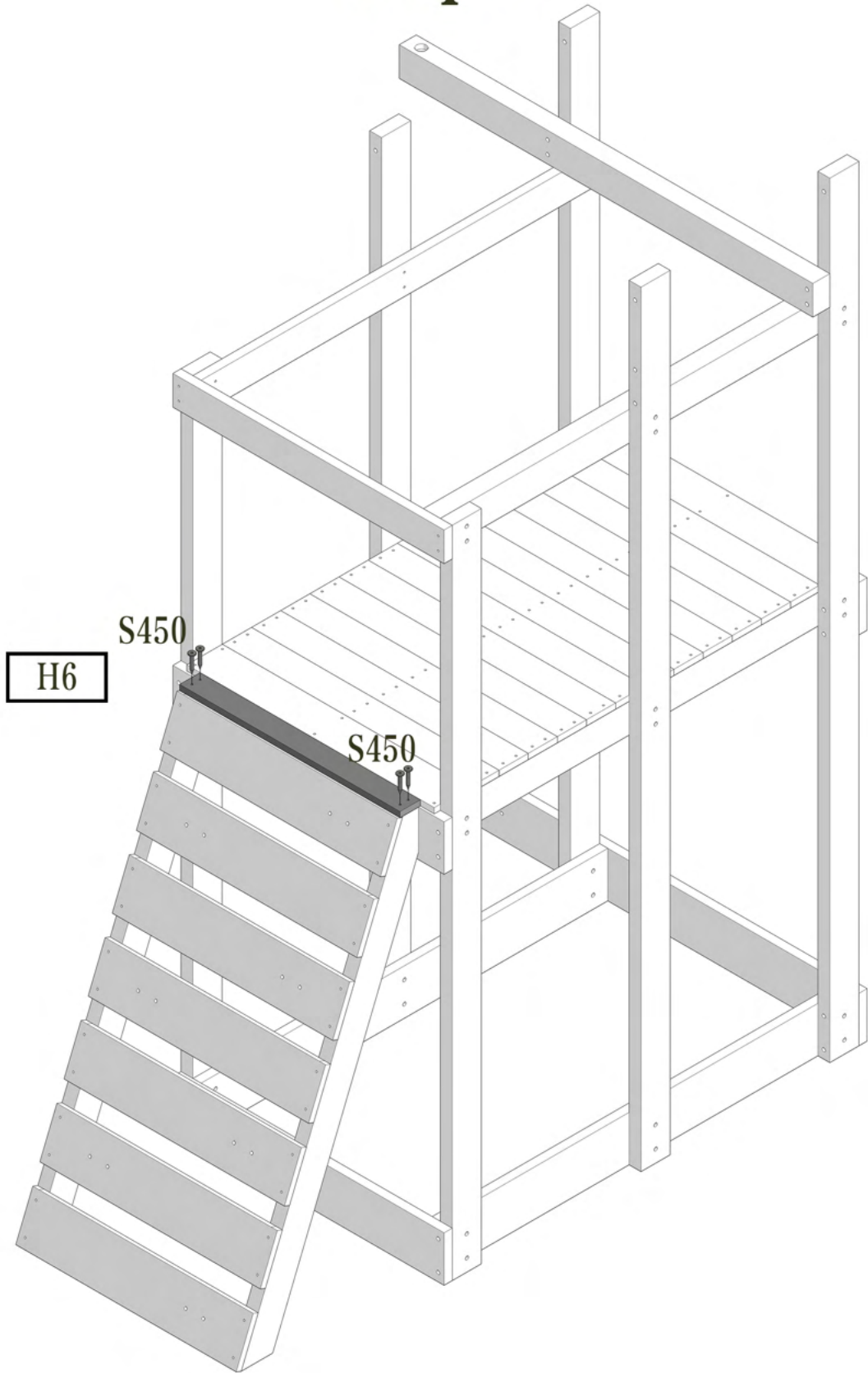
S450 

(28) SCREW ϕ 4-50mm

S460 

(4) SCREW ϕ 4-60mm

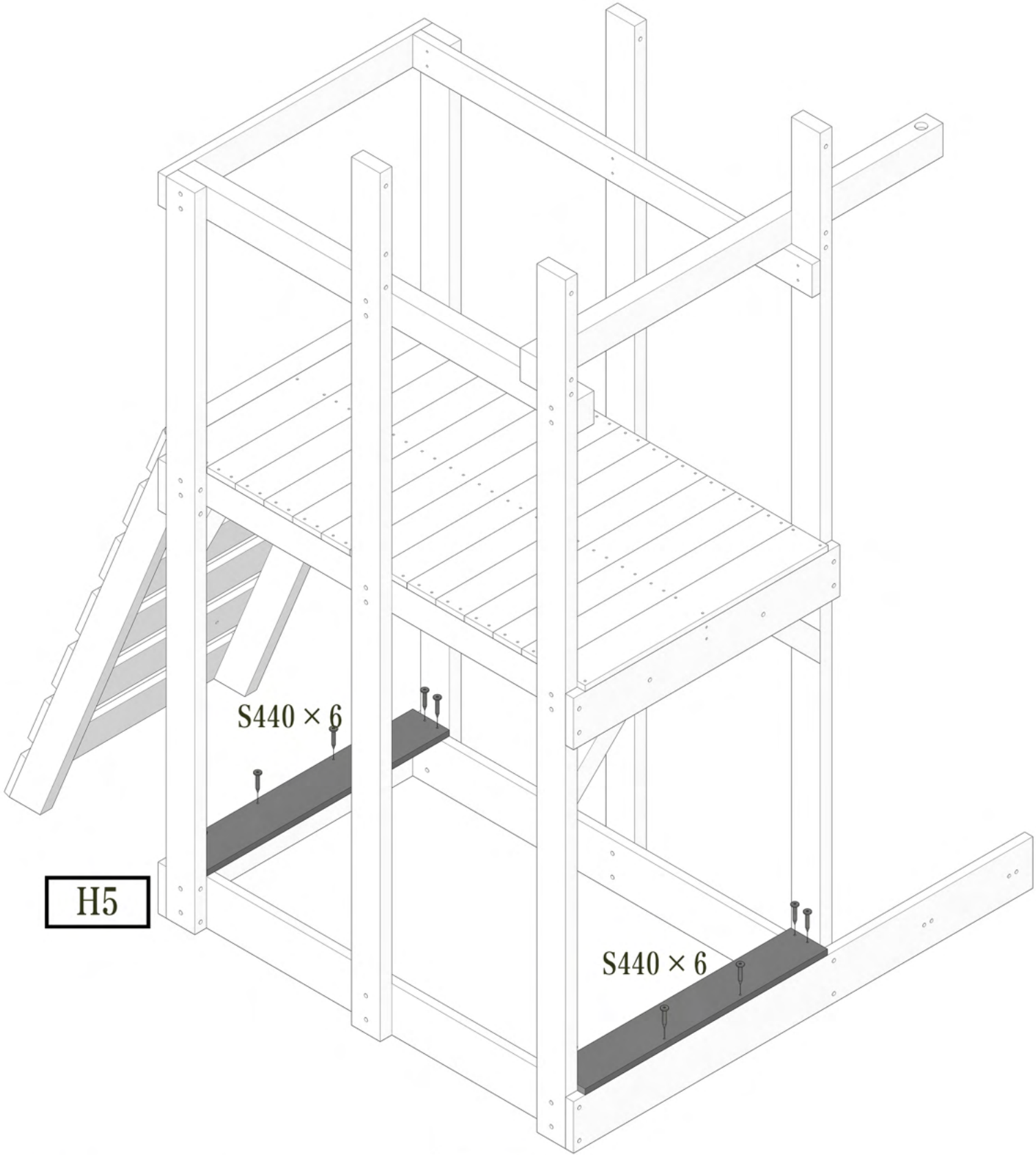
Step9



S450 

(4) SCREW ϕ 4-50mm

Step10



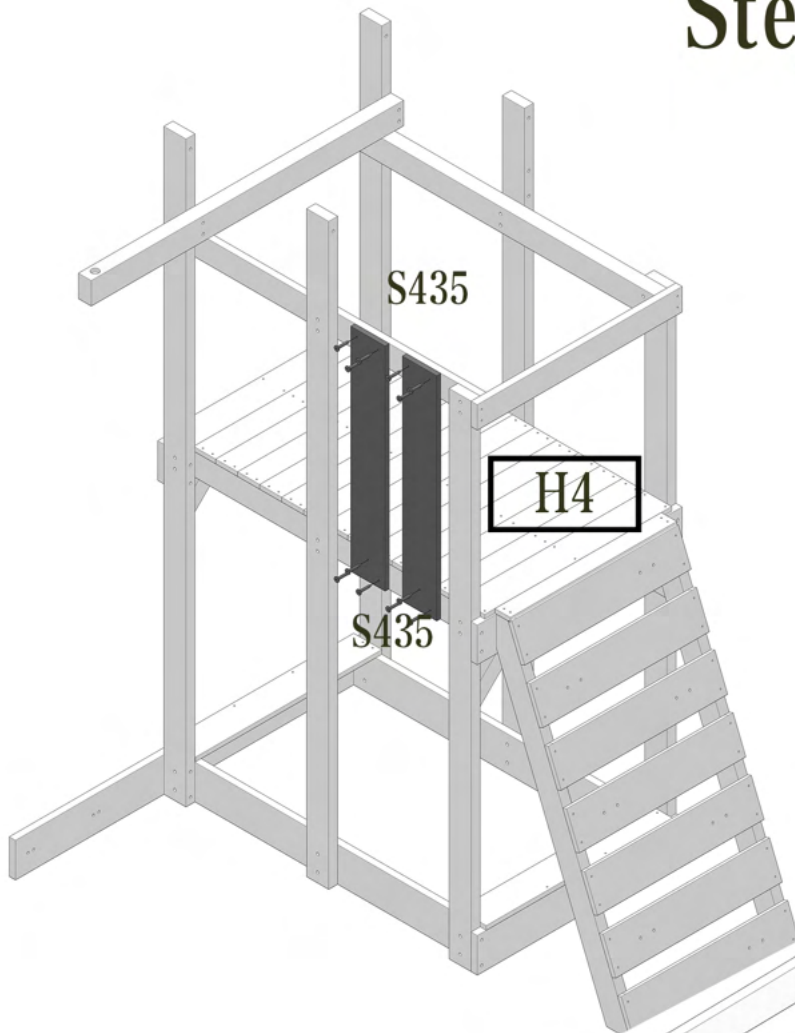
H5

H5

S440 

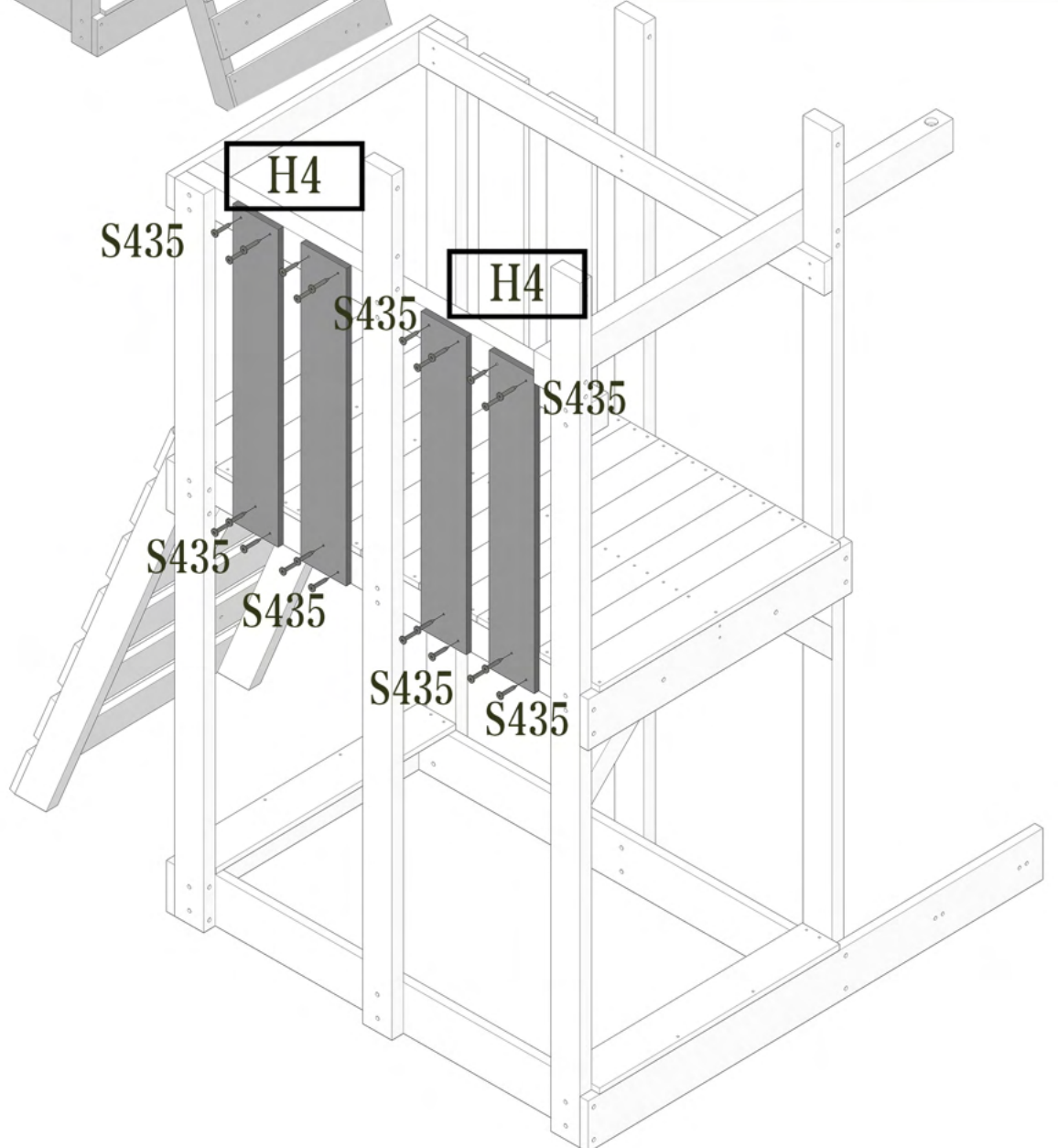
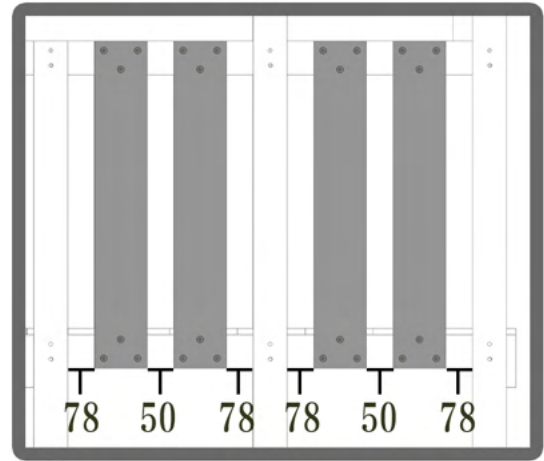
(12) SCREW ϕ 4-40mm

Step 11




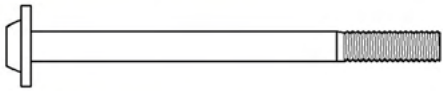
S435 

(36) SCREW ϕ 4-35mm



Step12

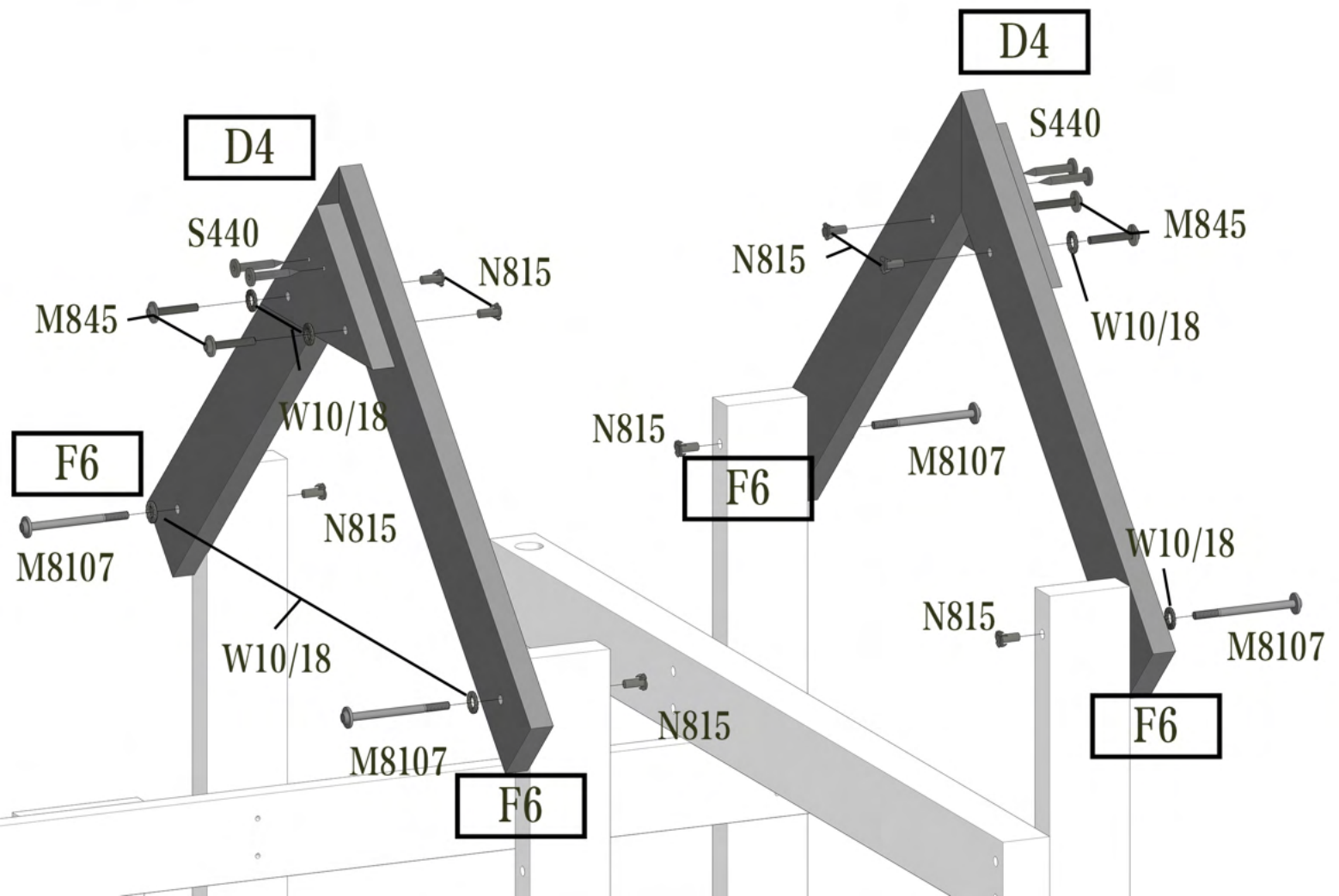
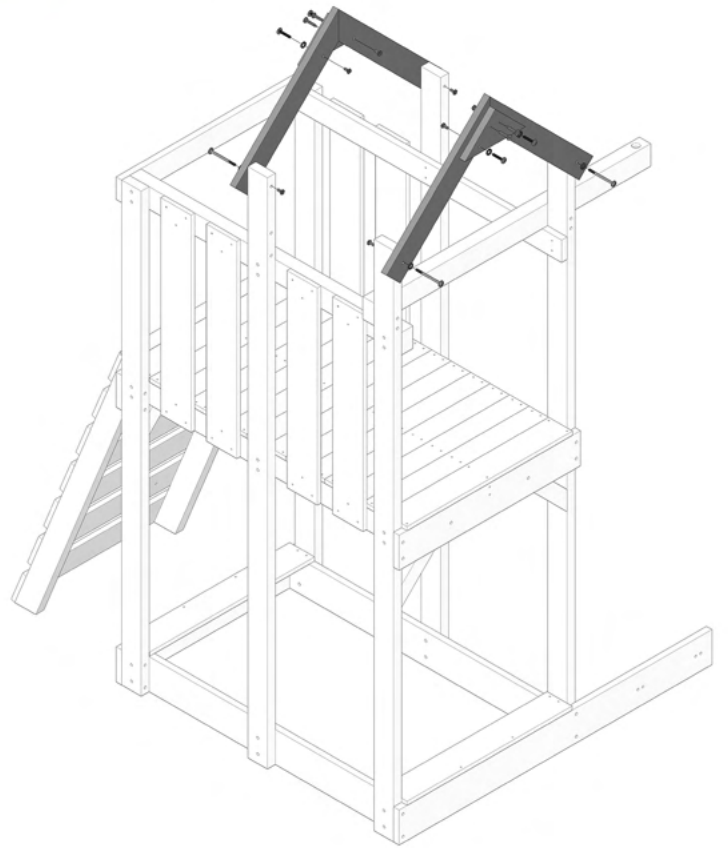
M845 
(4) BOLT ϕ 8mm-45mm

M8107 
(4) BOLT ϕ 8mm-107mm

N815 
(8) NUT 8X15mm

S440 
(4) SCREW ϕ 4-40mm

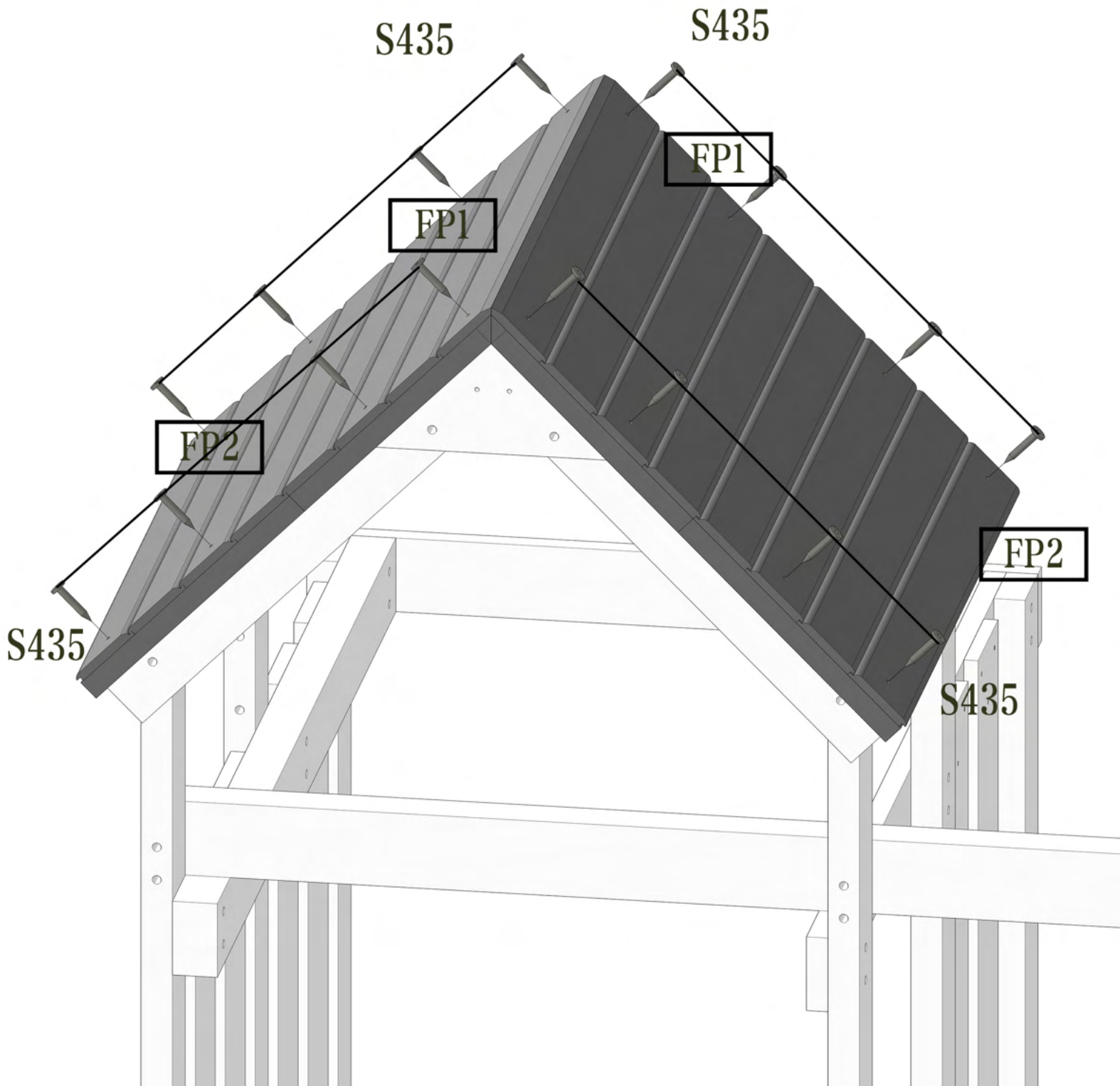
W10/18 
(8)Washer



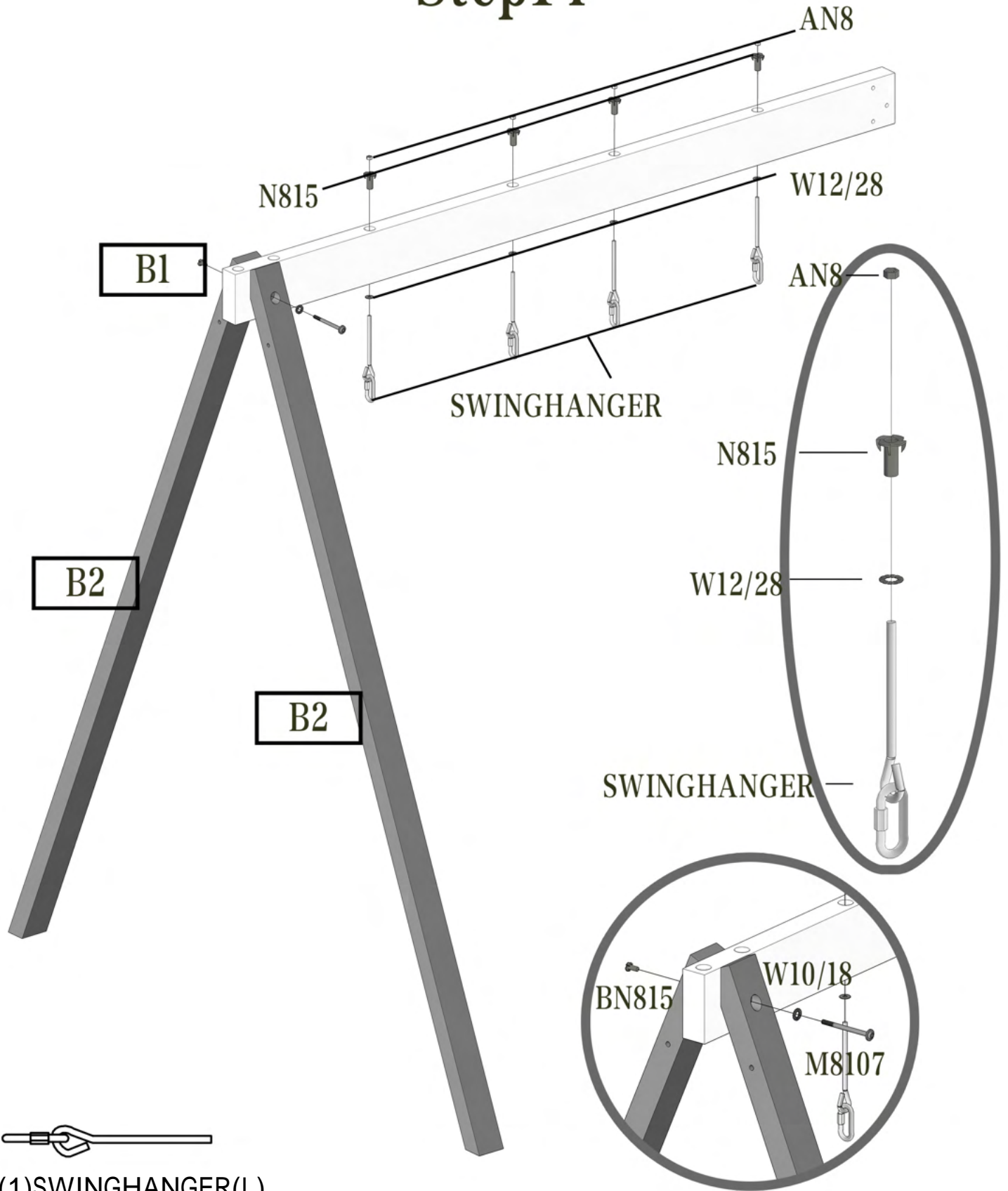
Step13

S435 

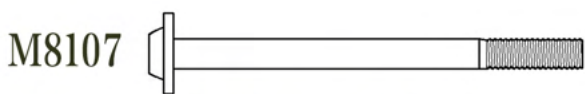
(16) SCREW ϕ 4-35mm



Step14



(1) SWINGHANGER(L)



(1) BOLT ϕ 8mm-107mm



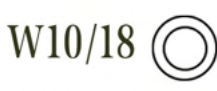
(4) NUT 8X15mm



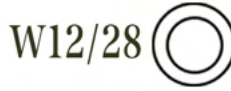
(4) A-NUT 8mm



(1) B-NUT 8X15mm

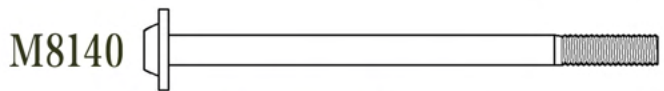
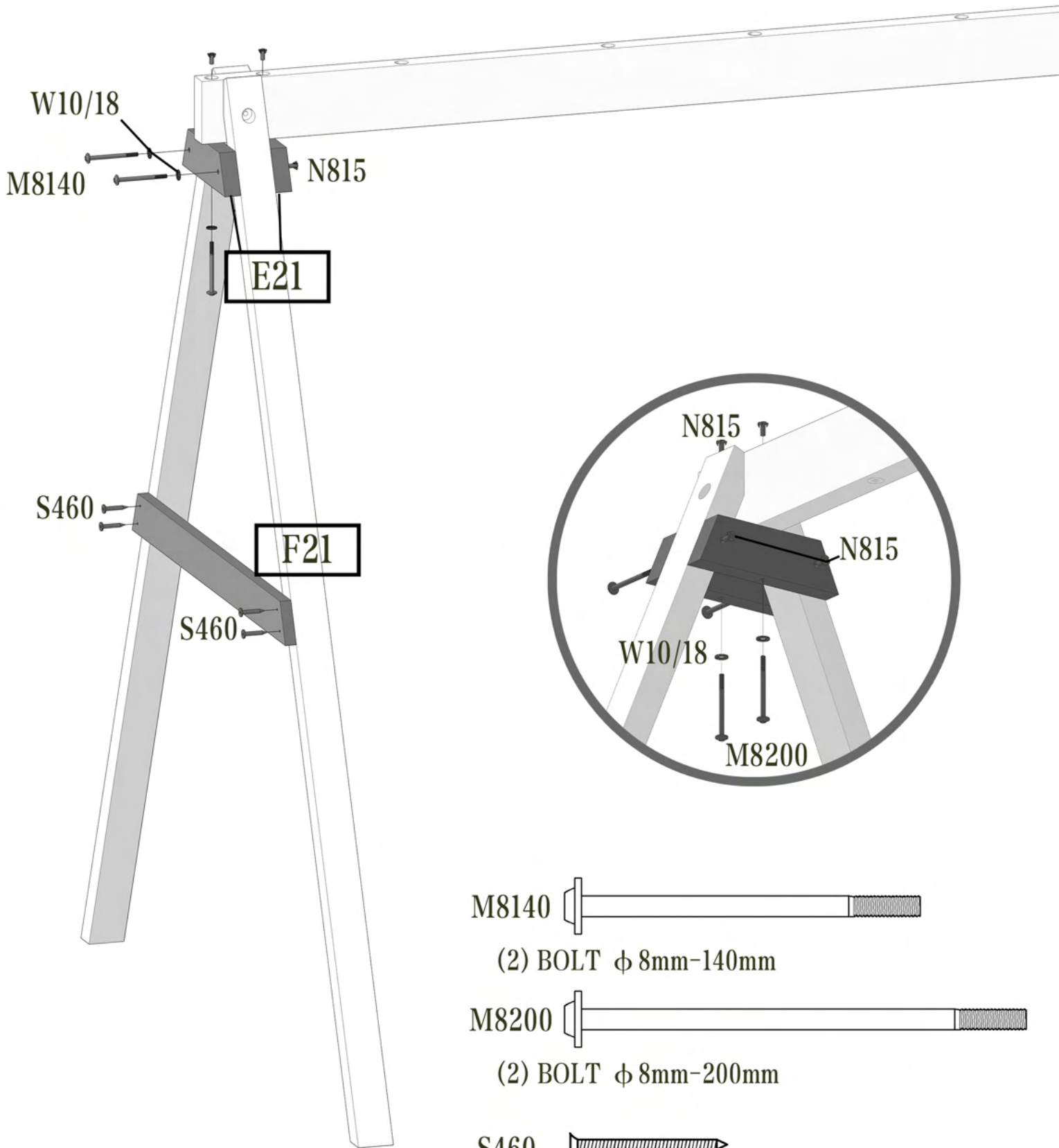


(1) Washer

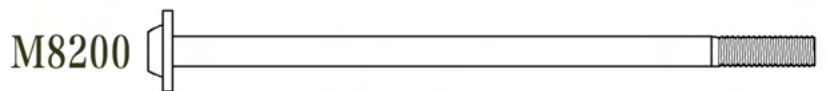


(4) Washer

Step15



(2) BOLT ϕ 8mm-140mm



(2) BOLT ϕ 8mm-200mm



(4) SCREW ϕ 4-60mm

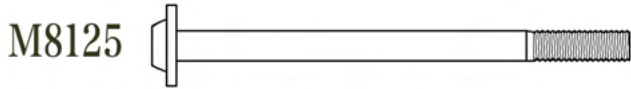
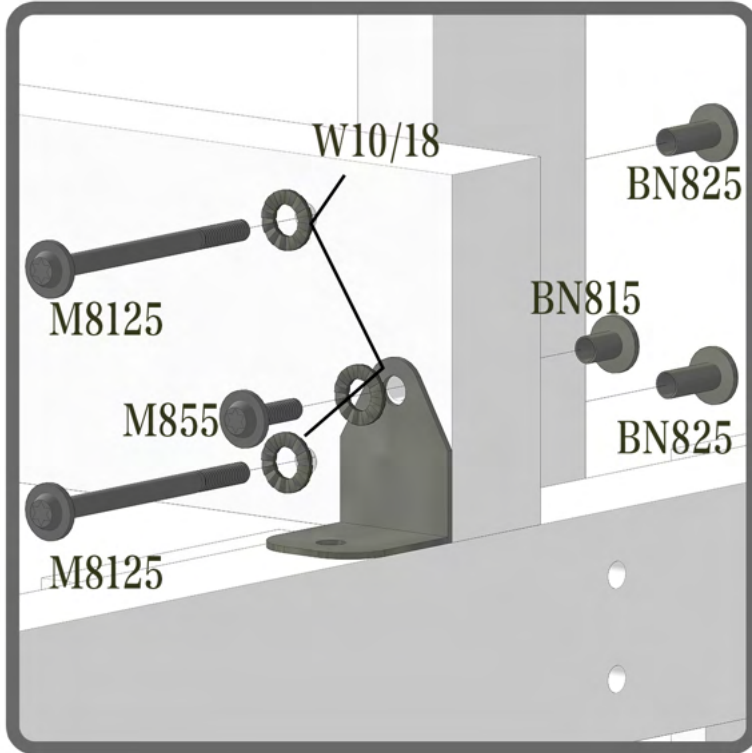


(4) NUT 8X15mm

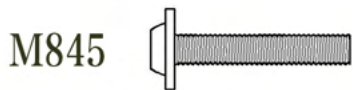


(8) Washer

Step16



(2) BOLT ϕ 8mm-125mm



(1) BOLT ϕ 8mm-125mm



(2) B-NUT 8X25mm



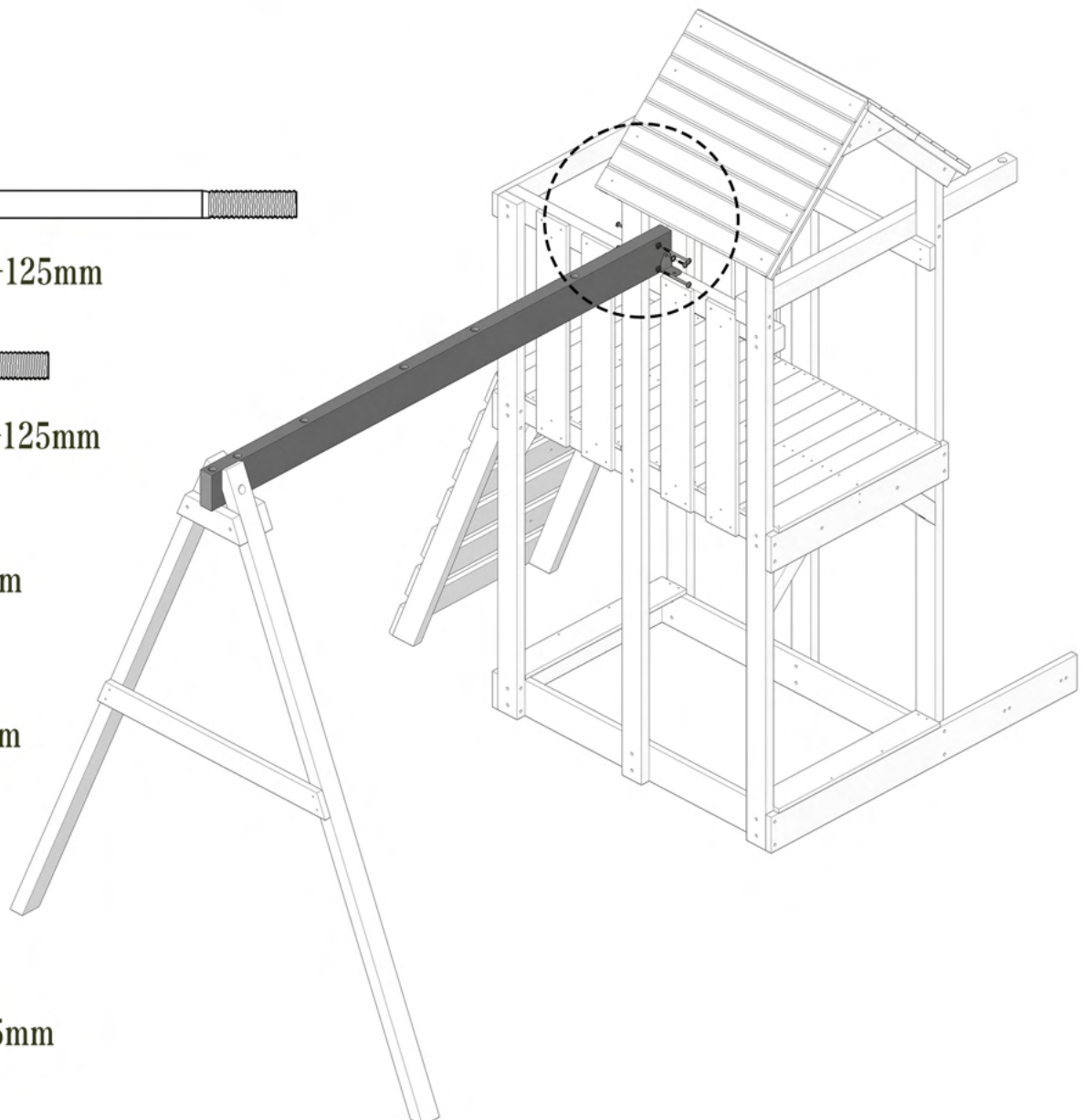
(1) B-NUT 8X15mm



(3) Washer



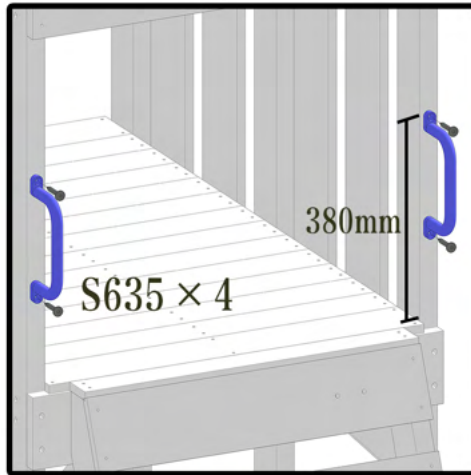
(1) SCREW ϕ 6-35mm



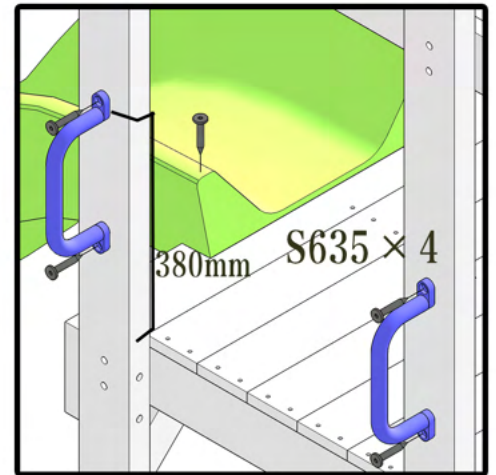
Step17



Wheel



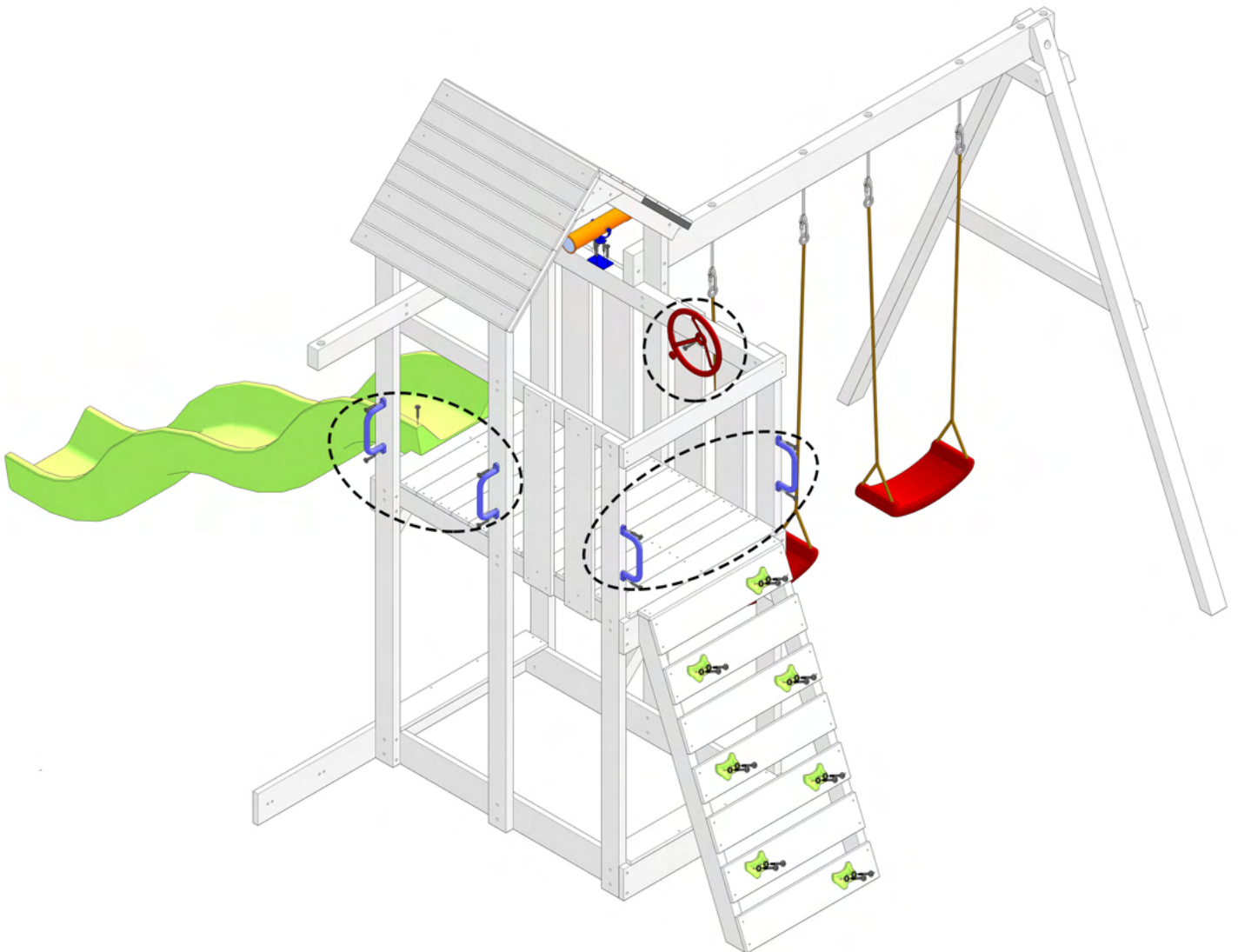
Handle



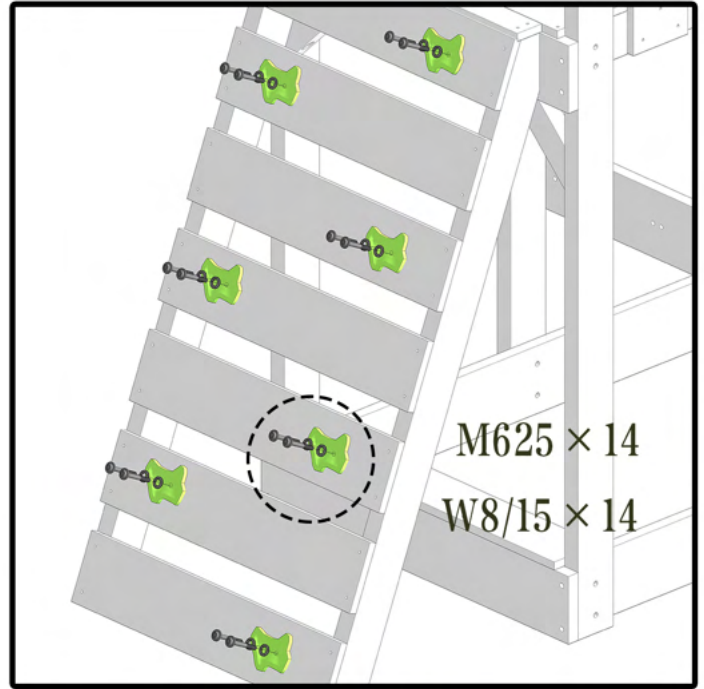
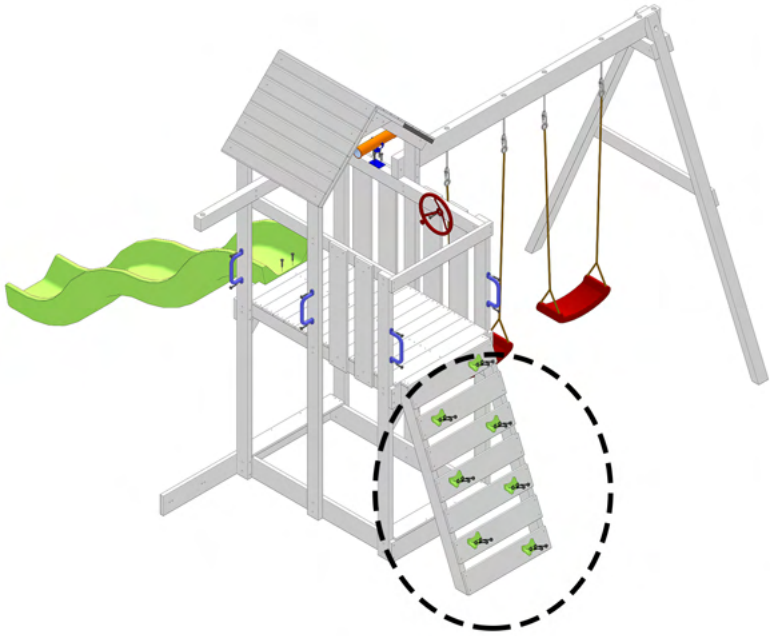
Handle

S860 
(1) SCREW ϕ 8-60mm

S635 
(8) SCREW ϕ 6-35mm



Step18



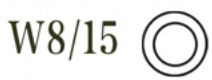
Climb Rock



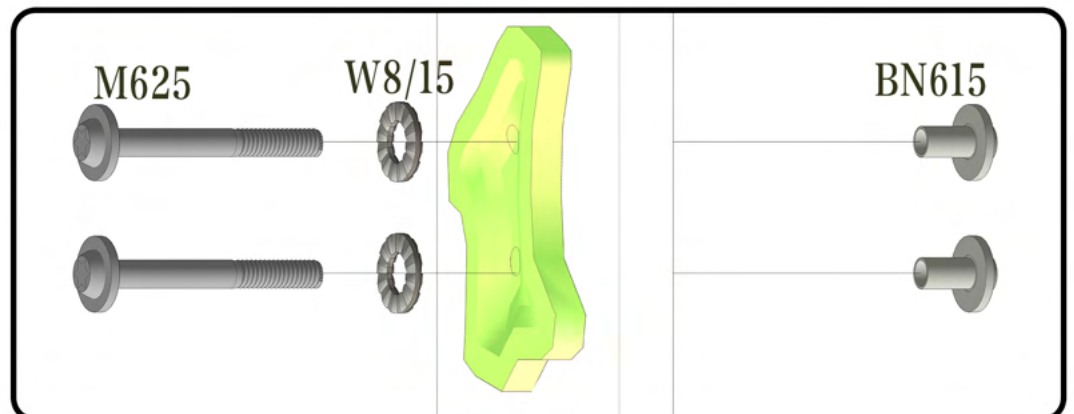
(14) BOLT ϕ 6mm-25mm



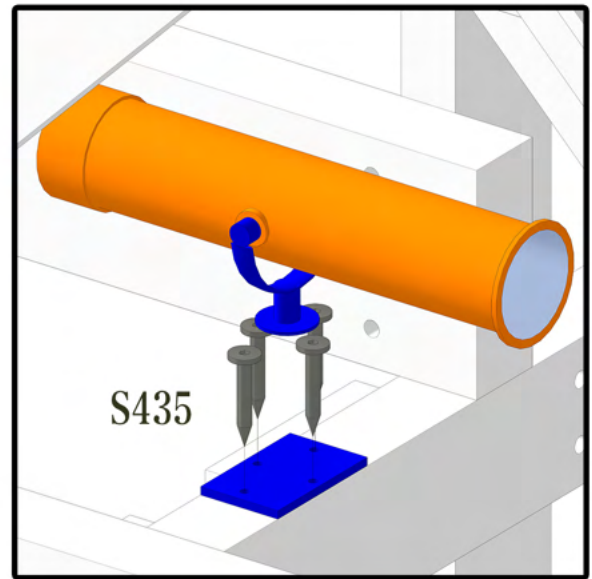
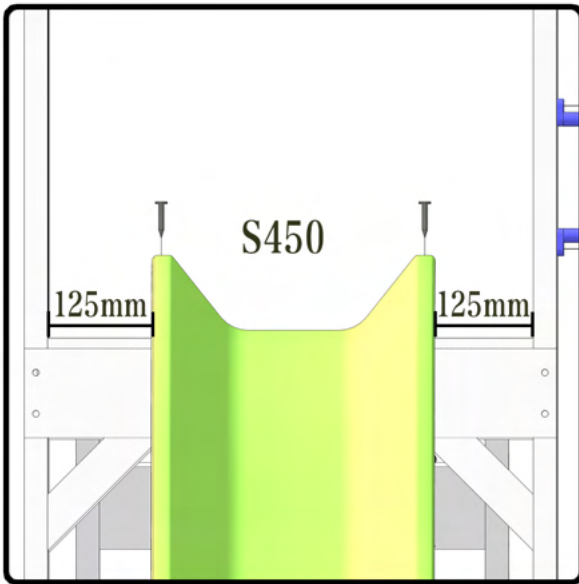
(14) B-NUT 8X15mm



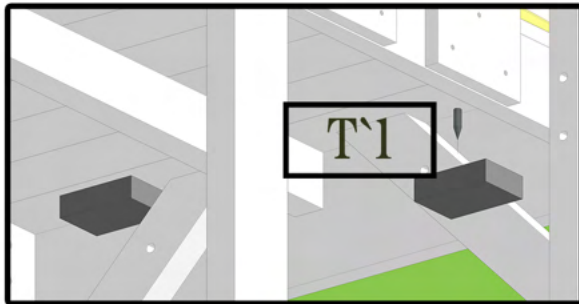
(14) Washer




Step19



Telescope

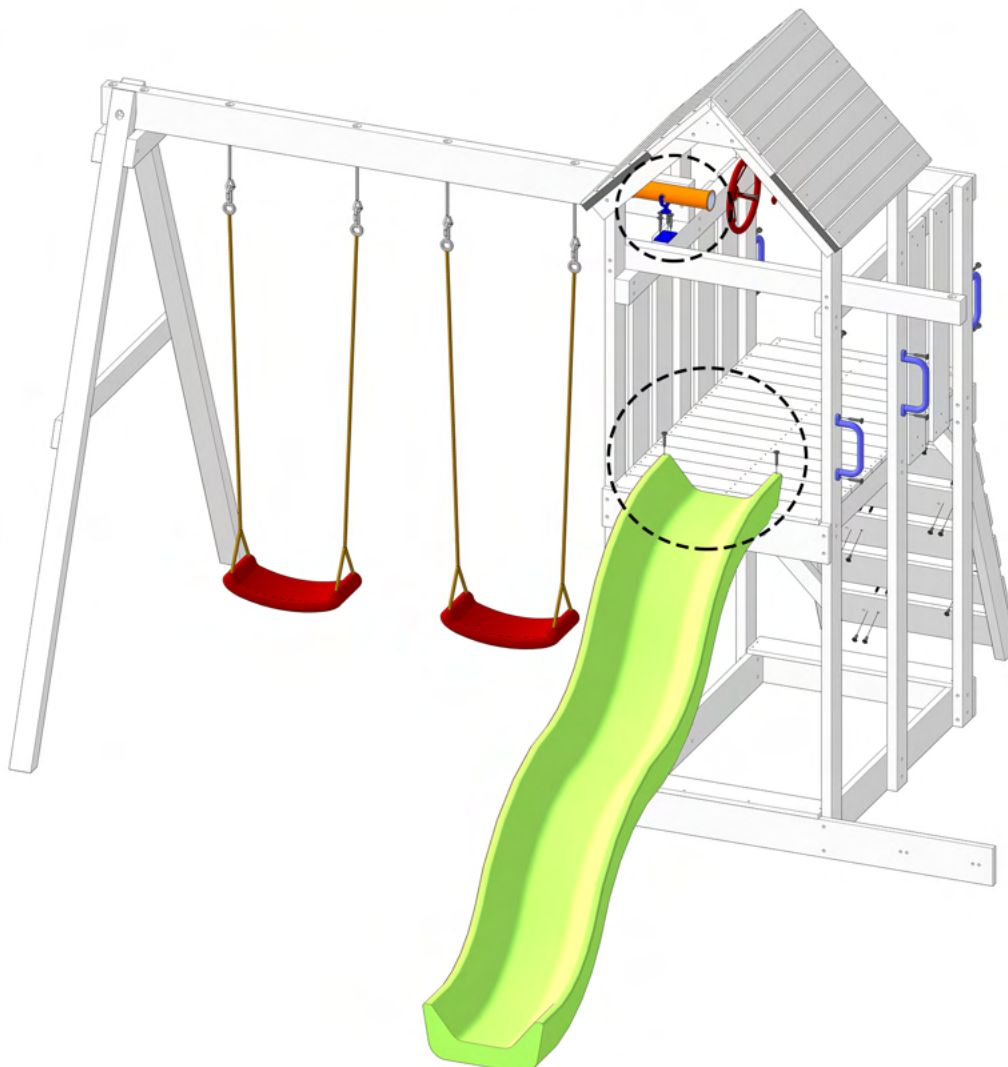


S435 

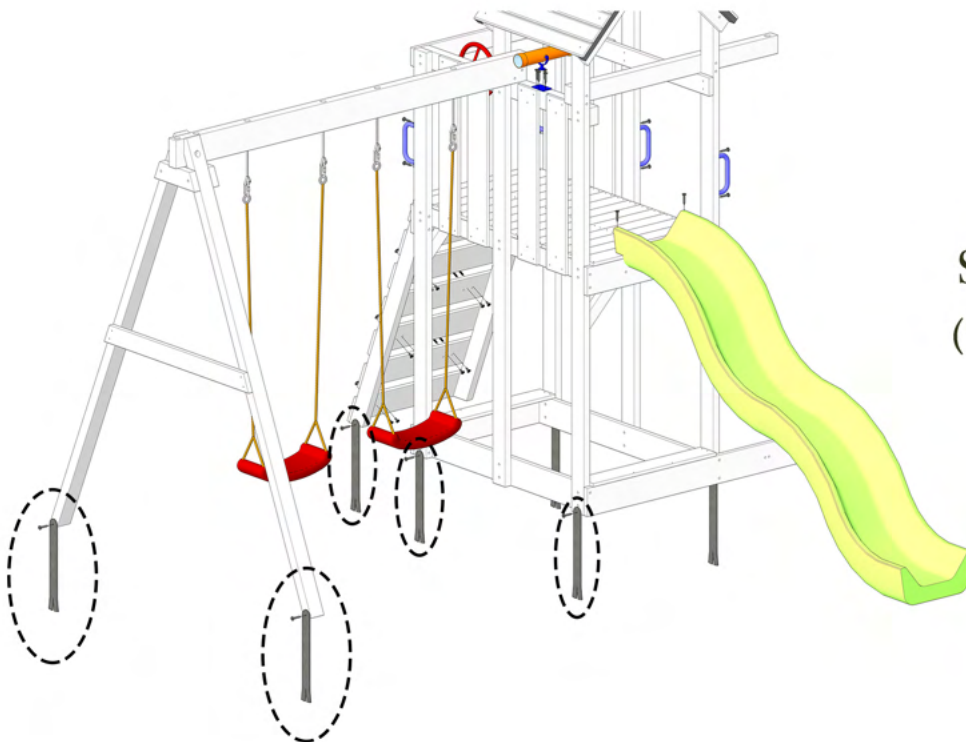
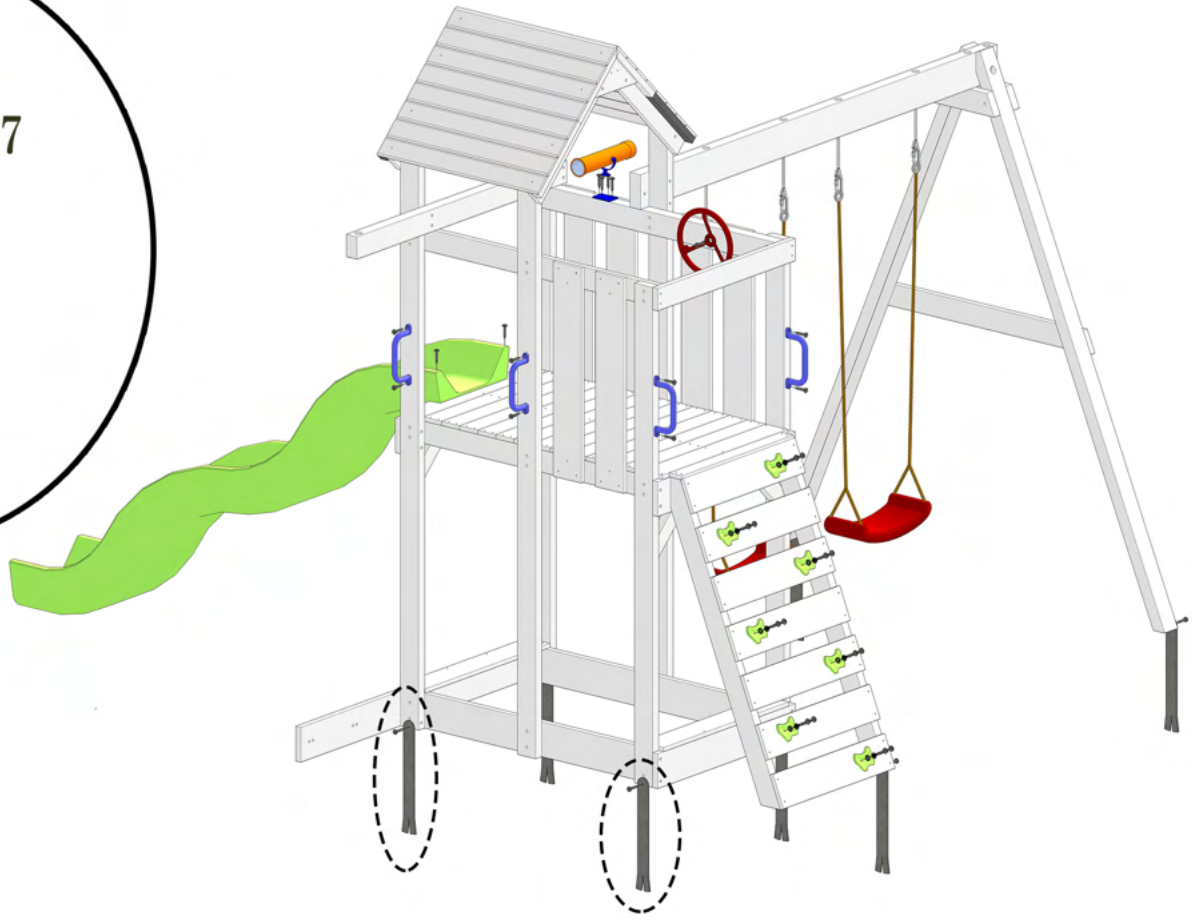
(4) SCREW ϕ 4-35mm

S450 

(2) SCREW ϕ 4-50mm

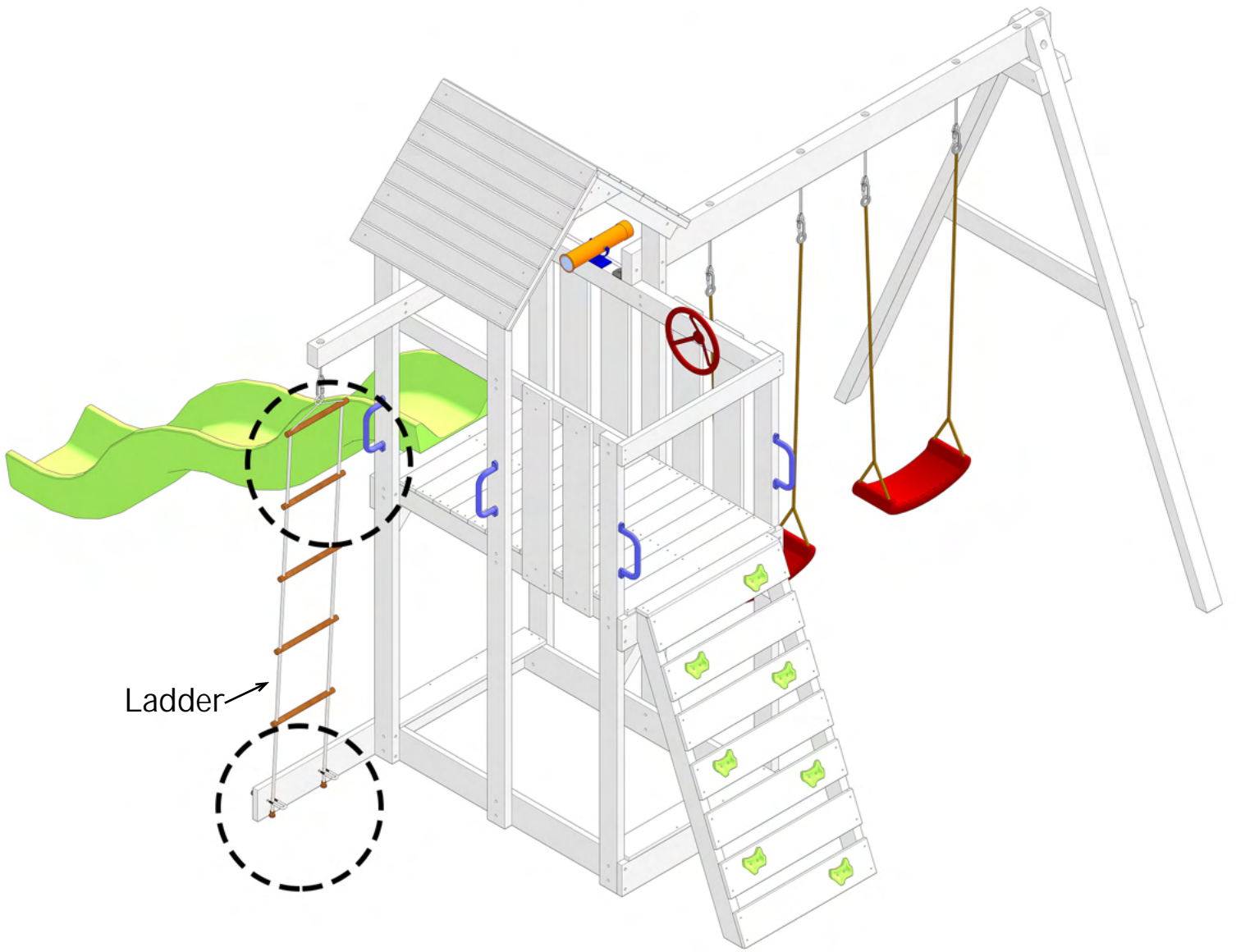


Step20

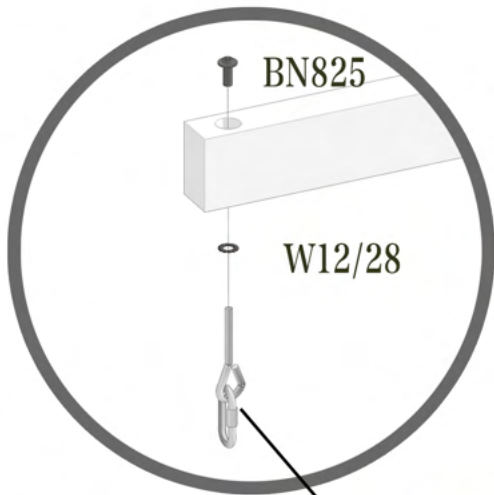


S450 
(7) SCREW ϕ 4-50mm

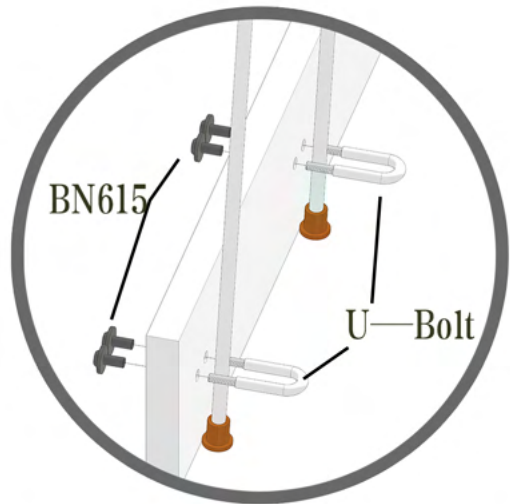
Step21



Ladder




SWINGHANGER (M)




 (1) SWINGHANGER QUICK LINK (M)

BN825 
 (1) B-NUT 8X25mm

W12/28 
 (1) Washer


 (2) U-Bolt

BN615 
 (4) B-NUT 8X15mm