

# 6X12M PARTY TENT PART LIST

**NO. 1 4'10" Galvanized Pipe**

**Quantity 28**



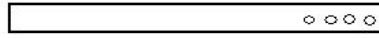
**NO. 2 6'4" Galvanized Pipe**

**Quantity 30**



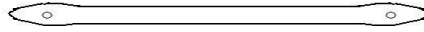
**NO. 3 6'4" Galvanized Pipe**

**Quantity 14**



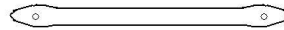
**NO. 4 6'4" Galvanized Pipe**

**Quantity 14**



**NO. 5 6'4" Galvanized Pipe**

**Quantity 7**



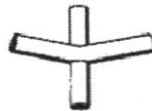
**110° 3 Way joint 6**

**Quantity 4**



**110° 4Way joints 7**

**Quantity 10**



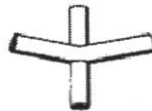
**140° 3 Way joints 8**

**Quantity 2**



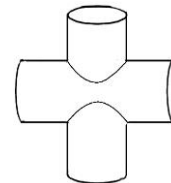
**140° 4 Way joints 9**

**Quantity 5**



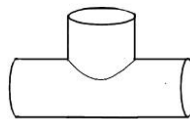
**Cross 4 Way joints 10**

**Quantity 10**



**"T" 3 Way joints 11**

**Quantity 4**



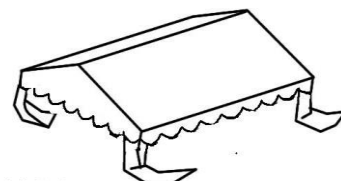
**foot**

**Quantity 14**



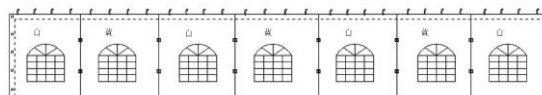
**Top Cover**

**Quantity 1**

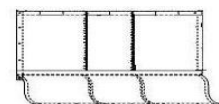


**Side Panels**

**Quantity 12**



**Door Panels**

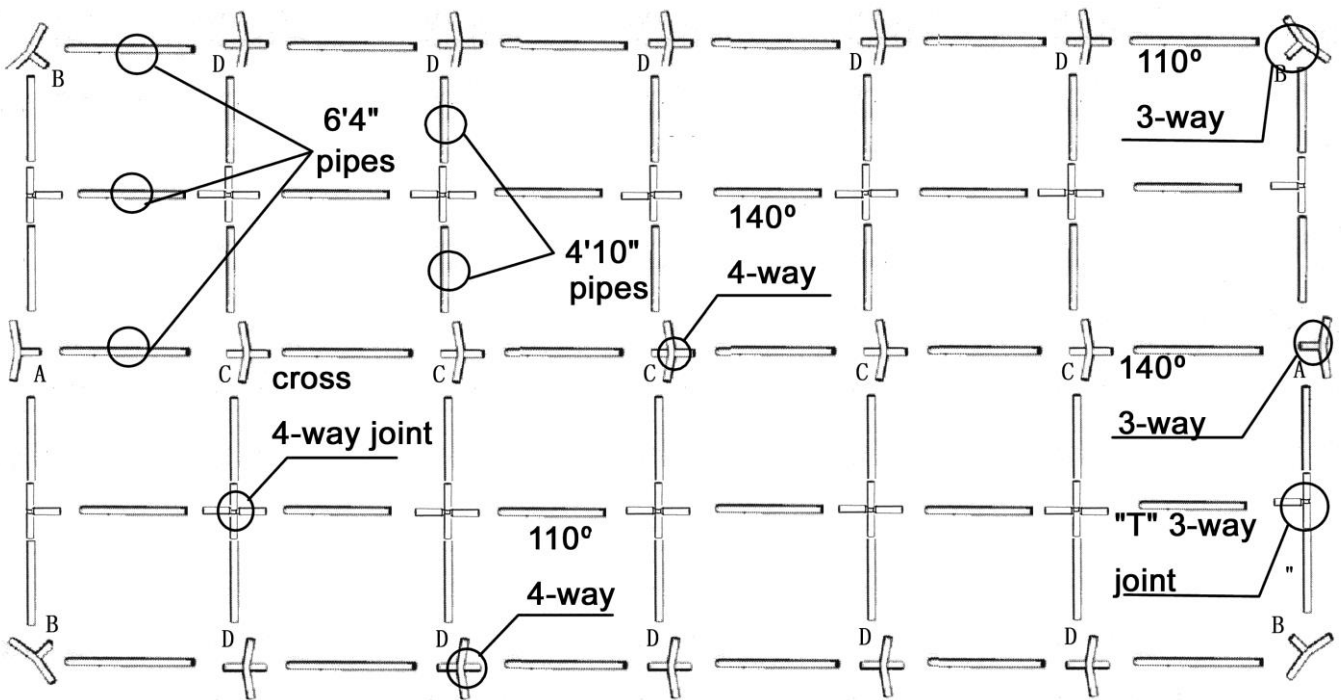


Quantity 2

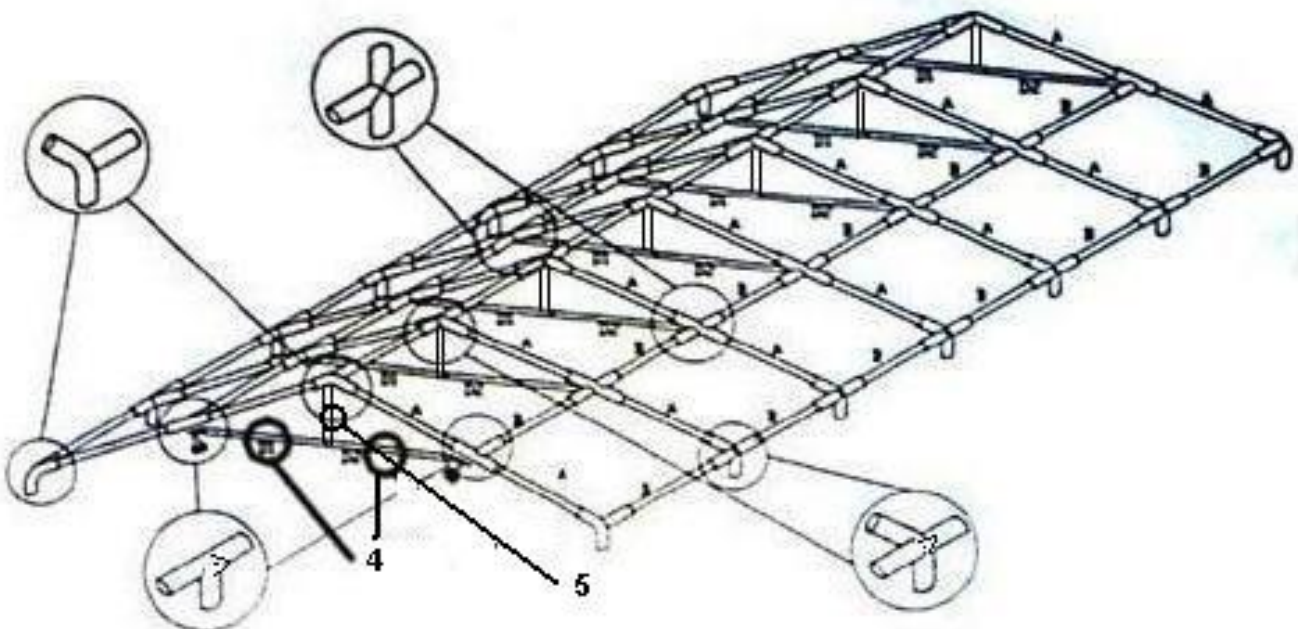
# 6X12M STRUCTURE GALA TENT INSTRUCTION

## FRAME ASSEMBLY

1. Place all joints, 4'10" pipes and 6'4" pipes on the ground as shown. Push two pipes into the joints, use screws fix them.



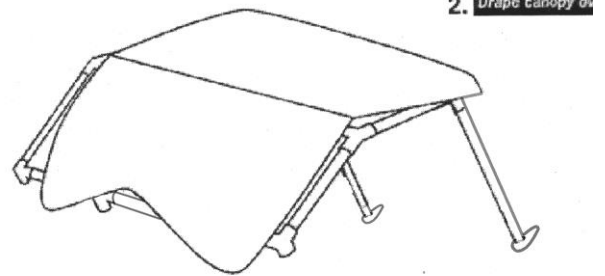
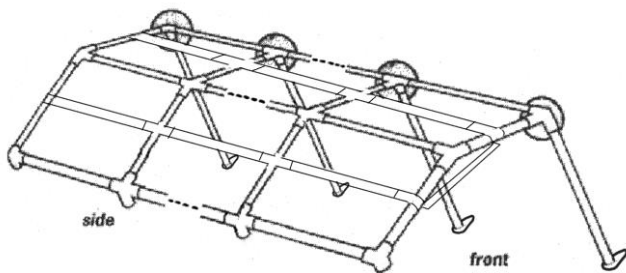
2. Connect pipes together starting with the center frame. Then assemble each side.



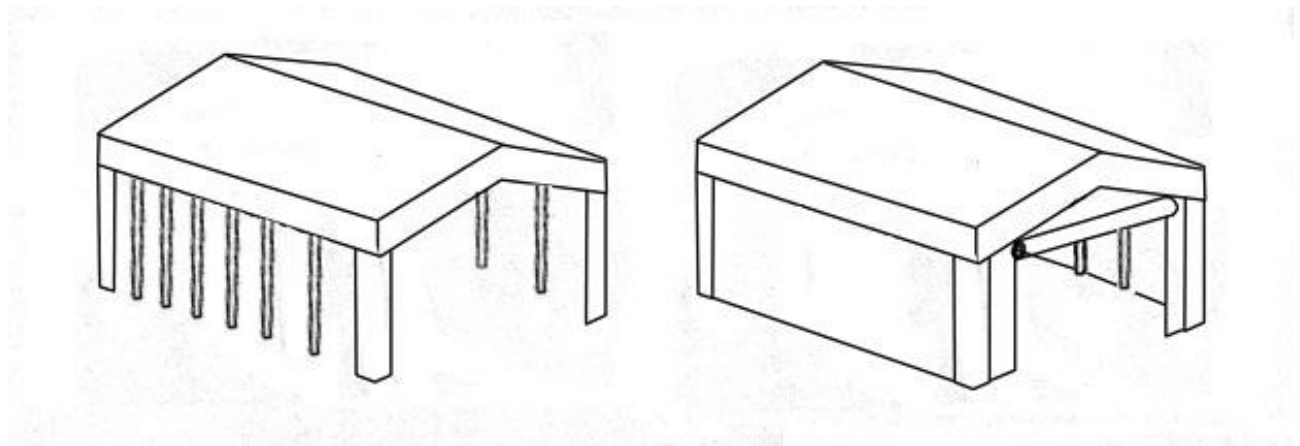
## ATTACHING COVER TO FRAME

1. Start by lifting one of the frame and inserting legs.
2. Drape cover over frame.
3. Next, lift the other side of the frame and insert remaining legs.
4. Hung up the all side panels and door panels.

**NOTE:** *Loosen the straps on the bottom of the legs when attach the cover. Adjust as needed after the canopy is assembled.*



**Insert the remaining legs and finish attaching cover to frame.**



**Then hung up the all side panels.**

**NOTE:** USING TIR DOWNS OR PROPER ANCHOR KIT FOR YOUR NEEDS.