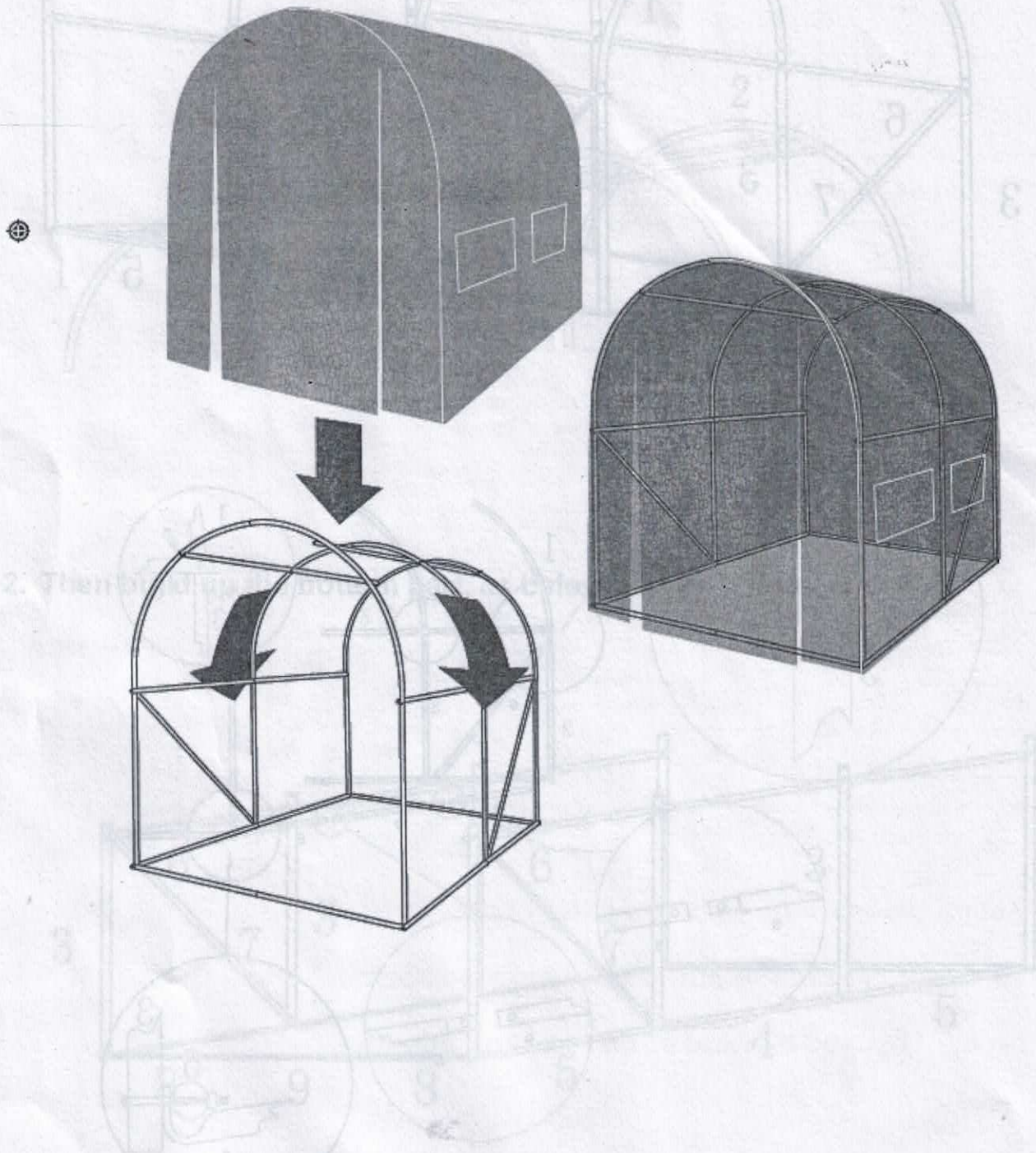


Important

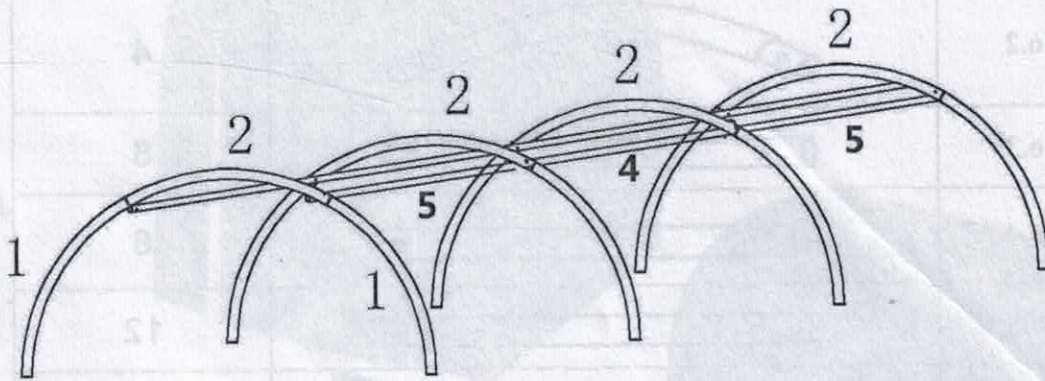
Collect the earth around the frame, later need those earth to cover the skirt on the ground. Put sticks around the lower upright tubes(touching the ground) and connect it with extra rope or tape to the frame(which provide extra strength). So protect your conservatory against strong winds. Provide extra strength by tape around the connecting elements to paste.

Place the film on the frame. Use Velcro to fasten the foil to the frame.

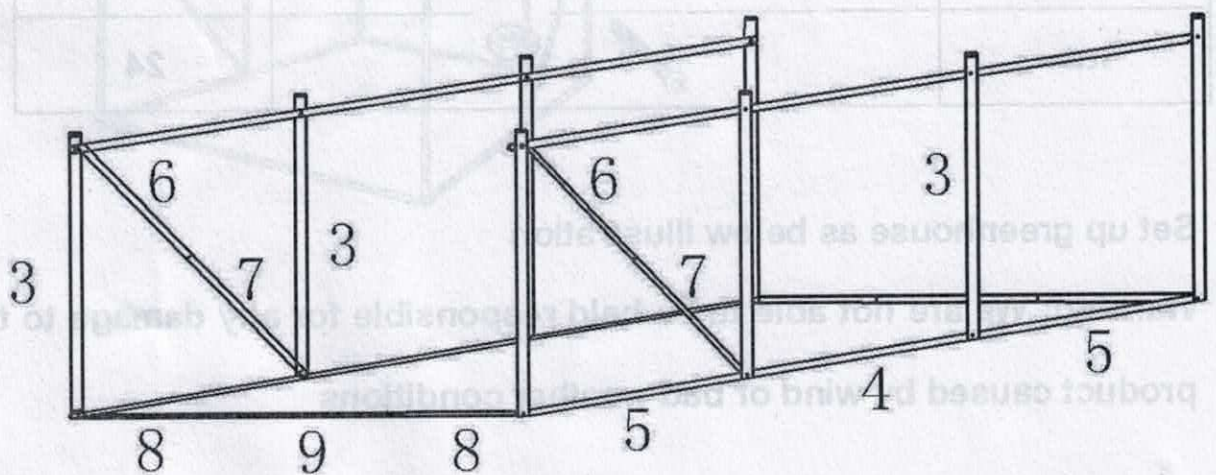


Mount the sign as below plan

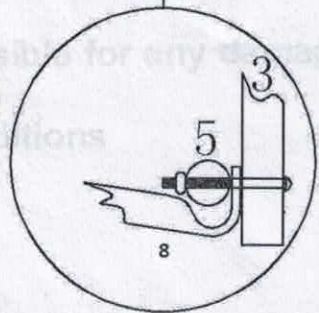
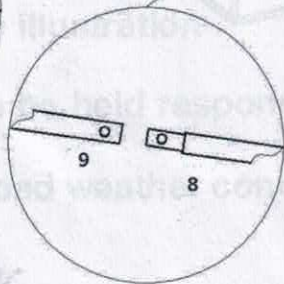
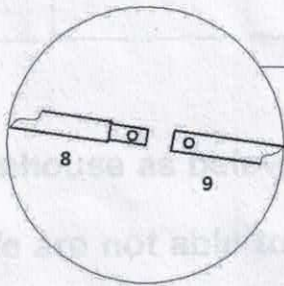
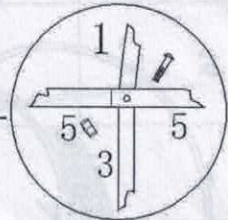
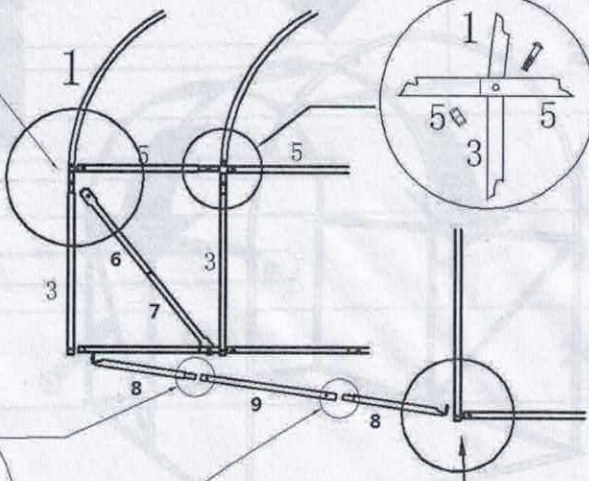
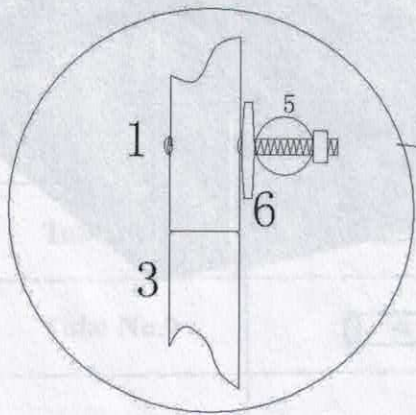
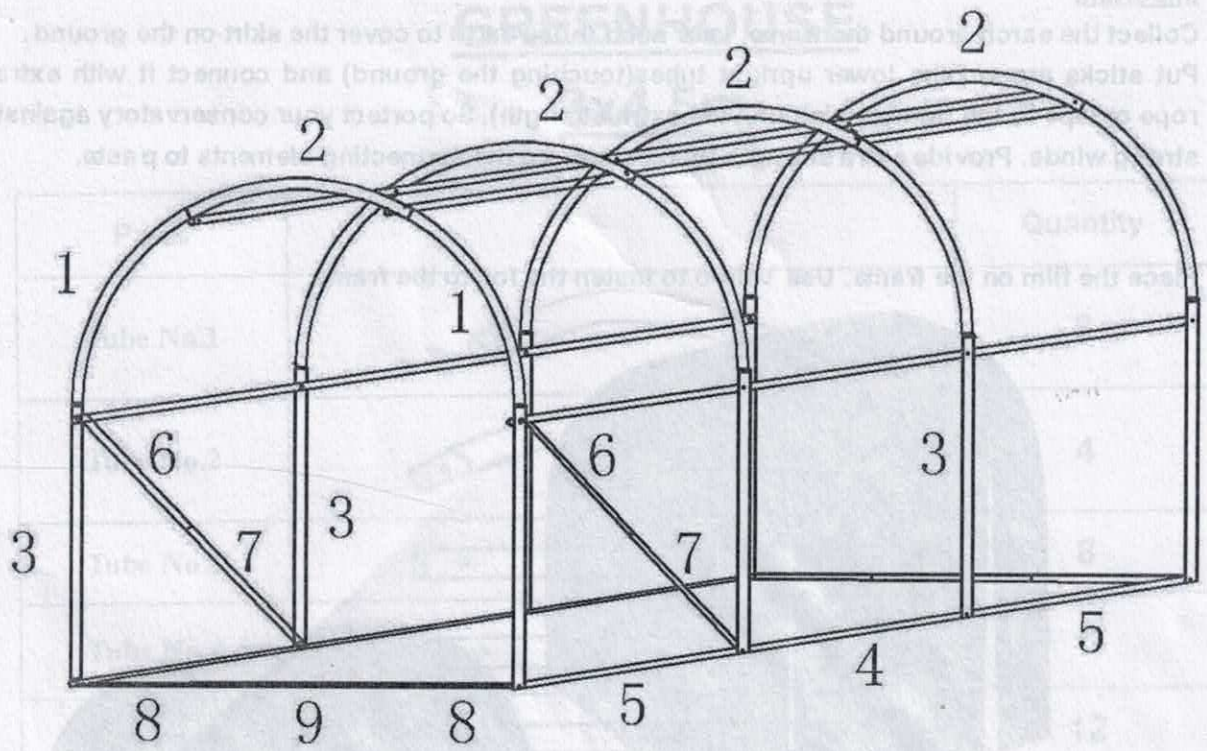
1. First step to set up the top frame of the polytunnel, assemble pipe No.1 to center arch No.2, pay attention at this moment, need the horizontal connection pipe at the same time with same screw.



2. Then build up the bottom part, as below picture shows,



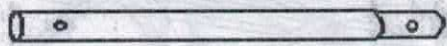
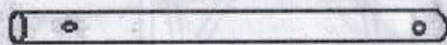
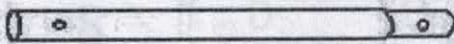
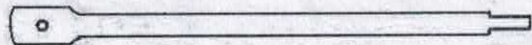
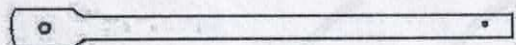
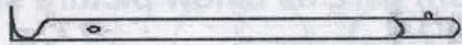
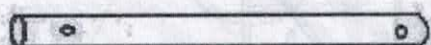



Mont the tunnel as below plan



GREENHOUSE

3x4.5m

Parts		Quantity
Tube No.1		8
Tube No.2		4
Tube No.3		8
Tube No.4		6
Tube No.5		12
Tube No.6		2
Tube No.7		2
Tube No.8		4
Tube No.9		2
screw		24

Set up greenhouse as below illustration

Warning: We are not able to be held responsible for any damage to this product caused by wind or bad weather conditions