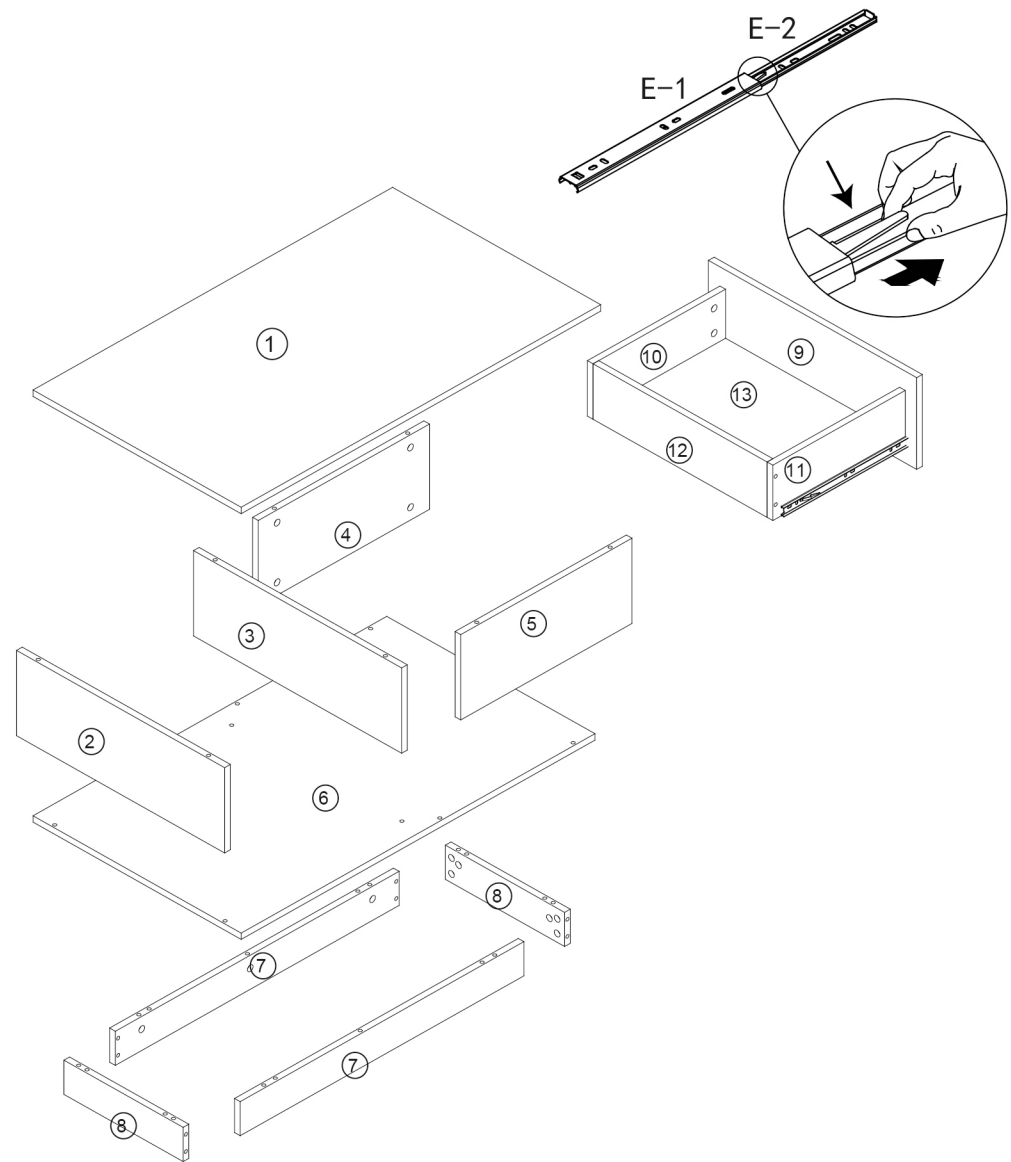
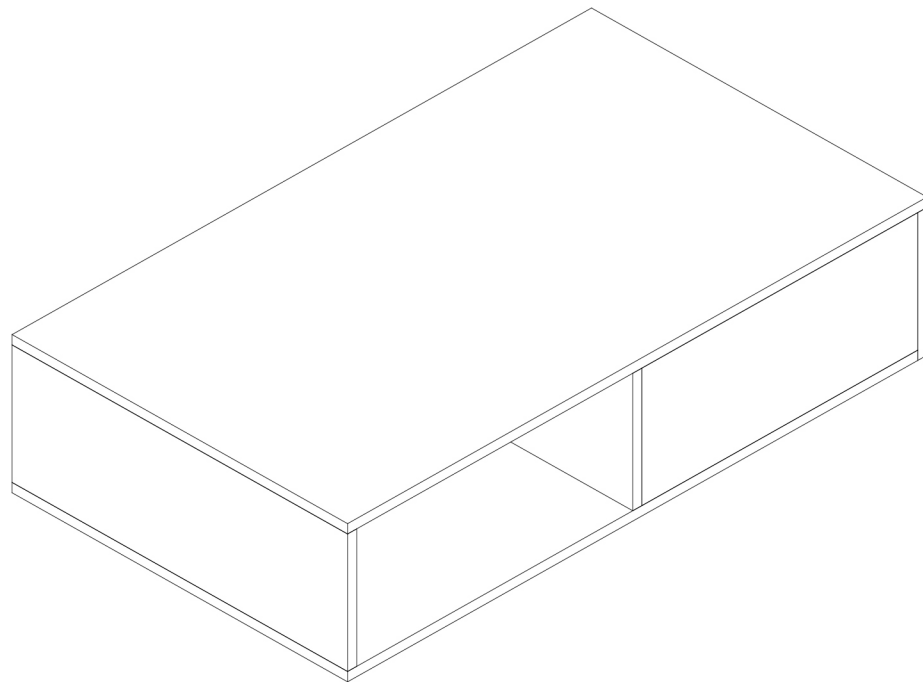
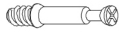




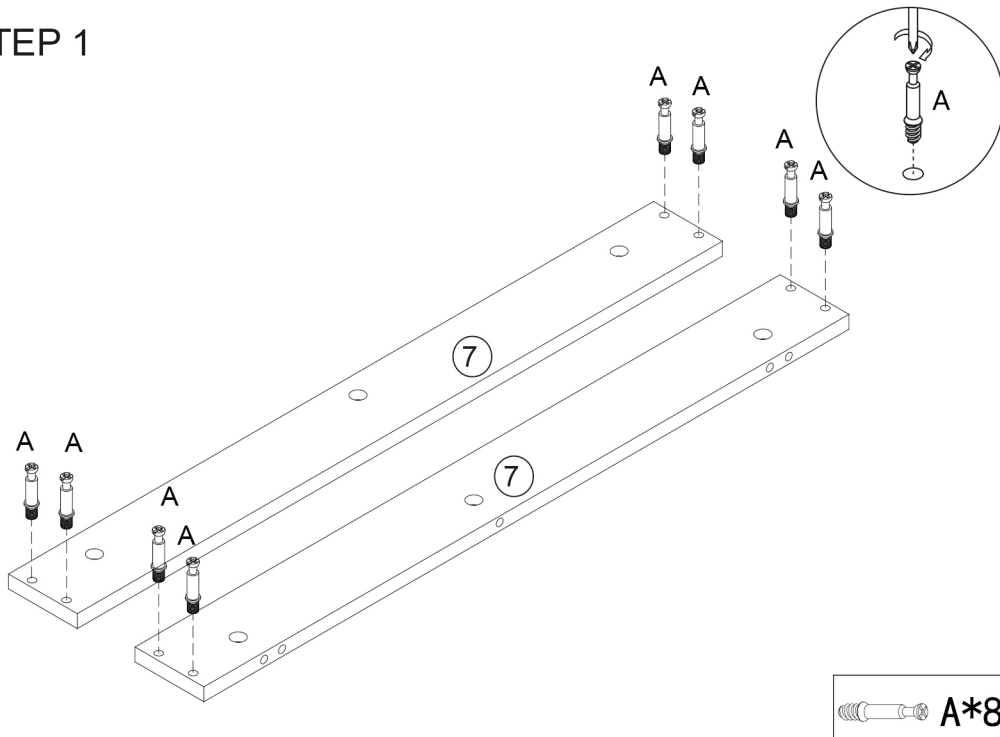


ASSEMBLY INSTRUCTION

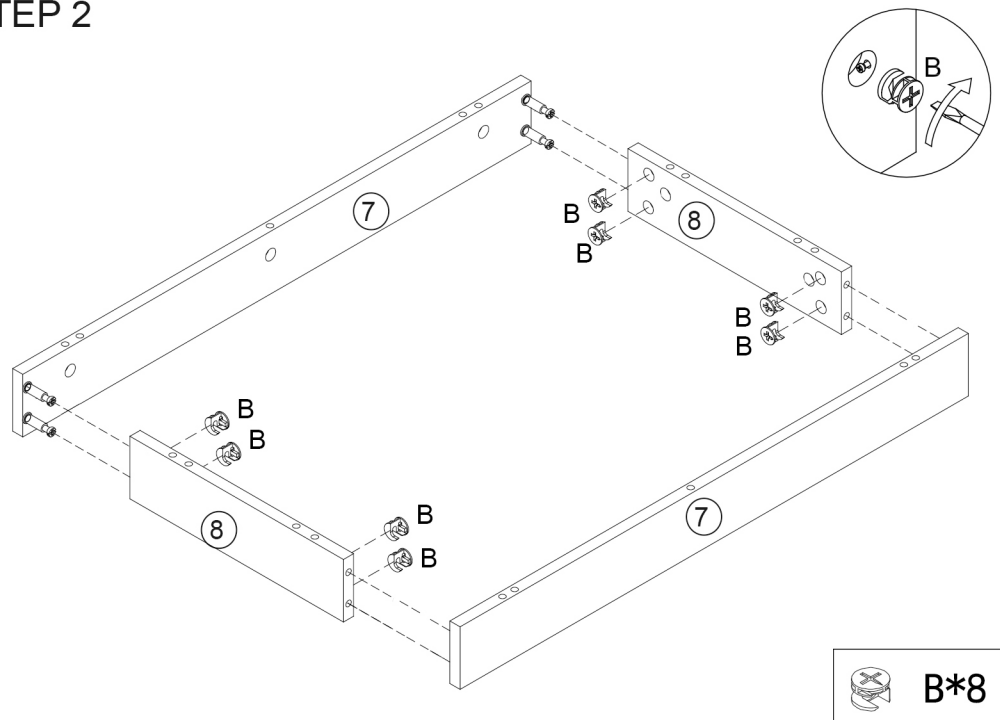


 A*48	 B*48	 ø3.5x16mm C*8	 D*2	 E*8

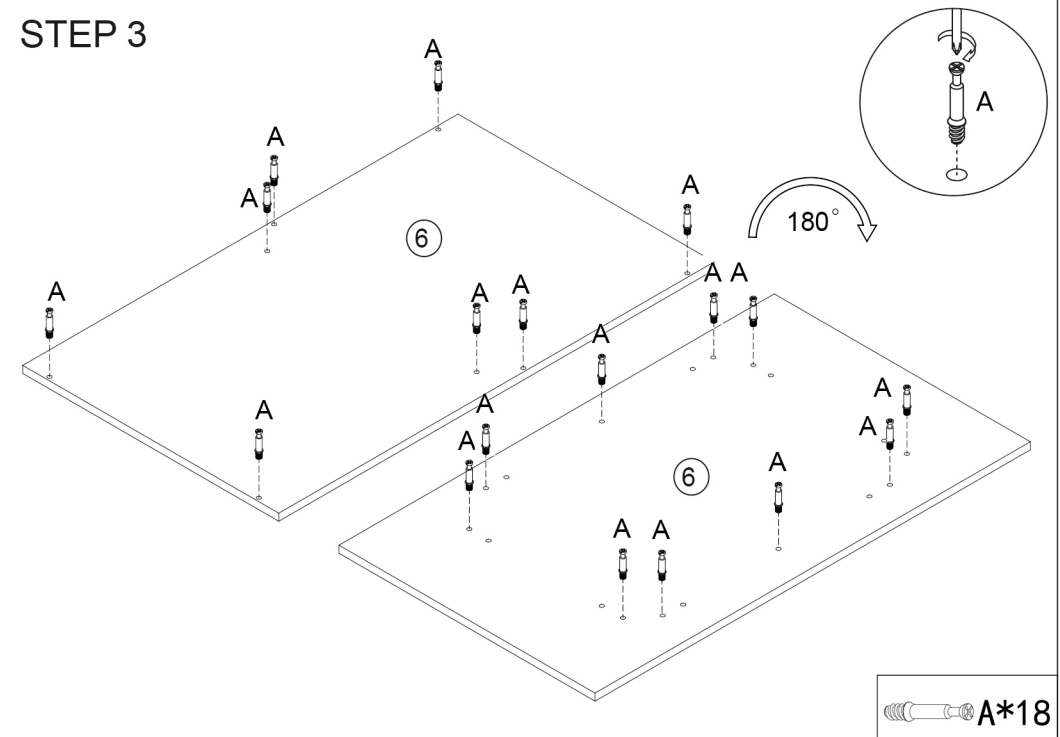
STEP 1



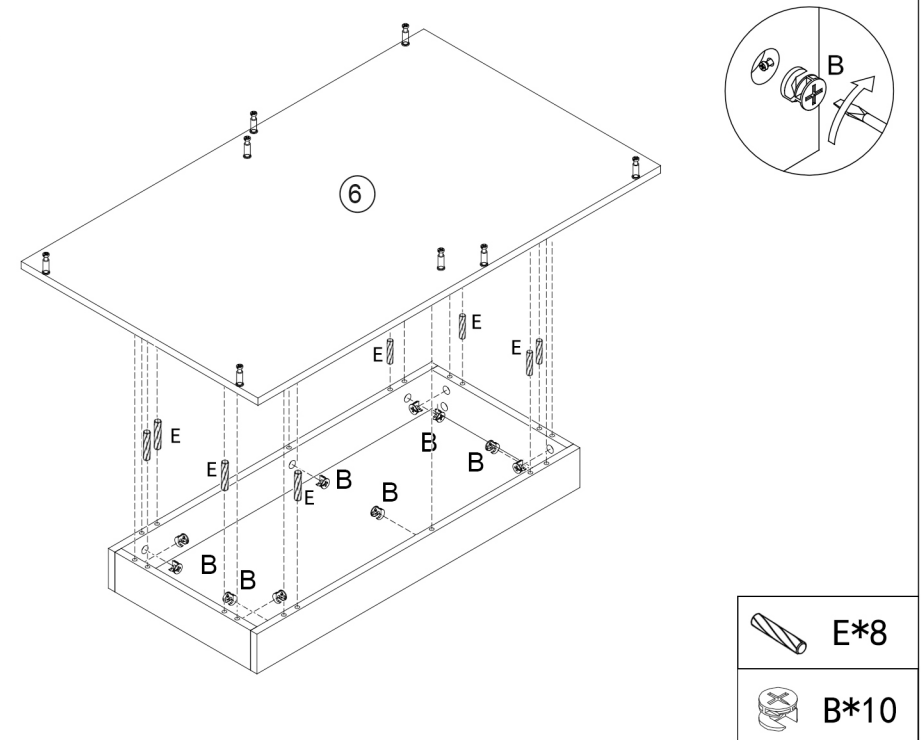
STEP 2



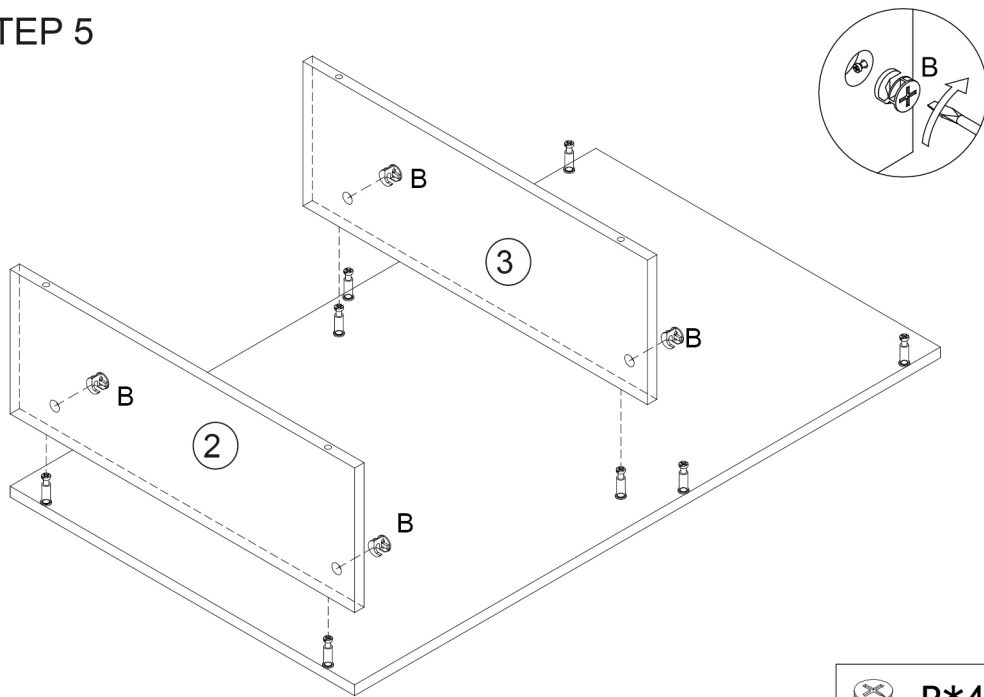
STEP 3



STEP 4

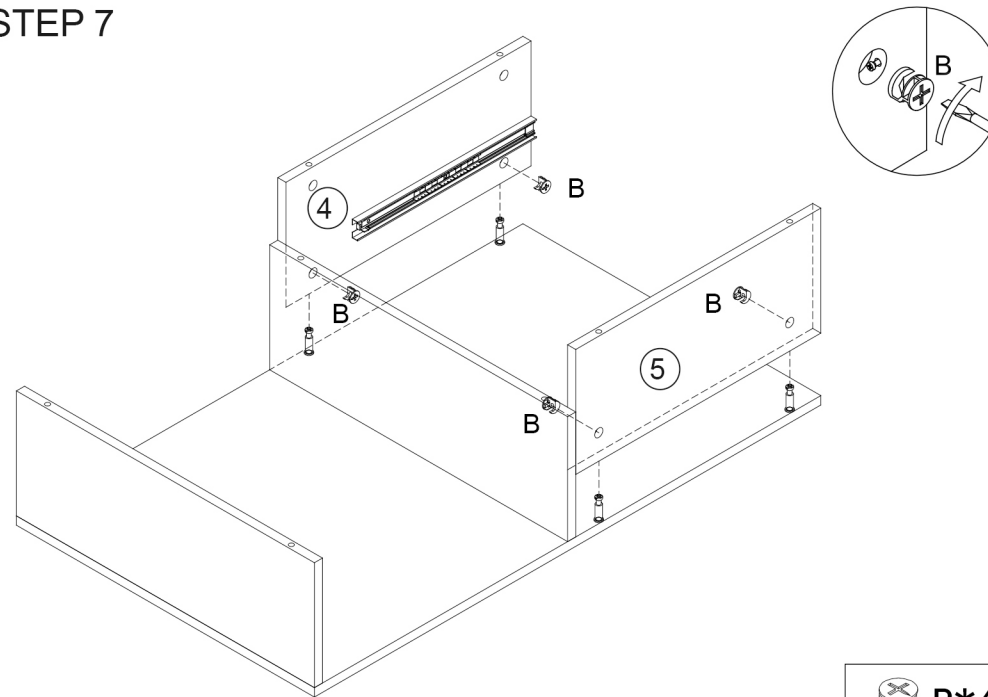


STEP 5



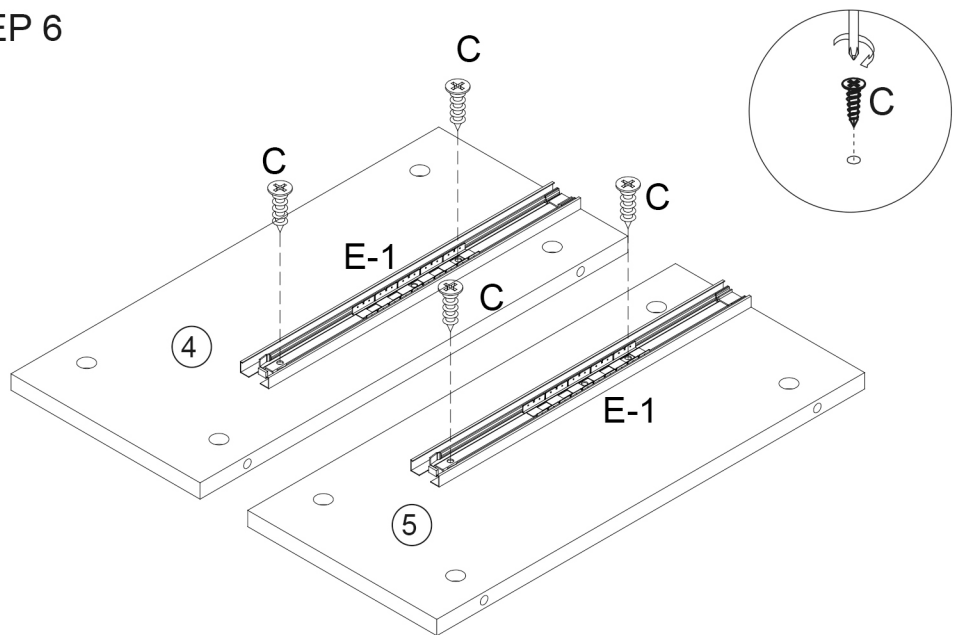
 B*4

STEP 7



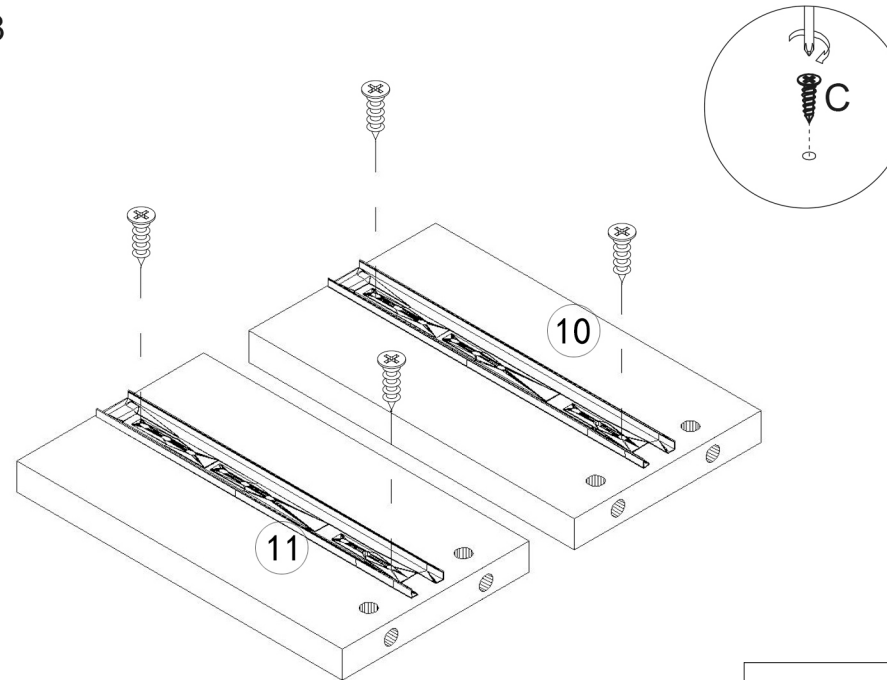
 B*4

STEP 6



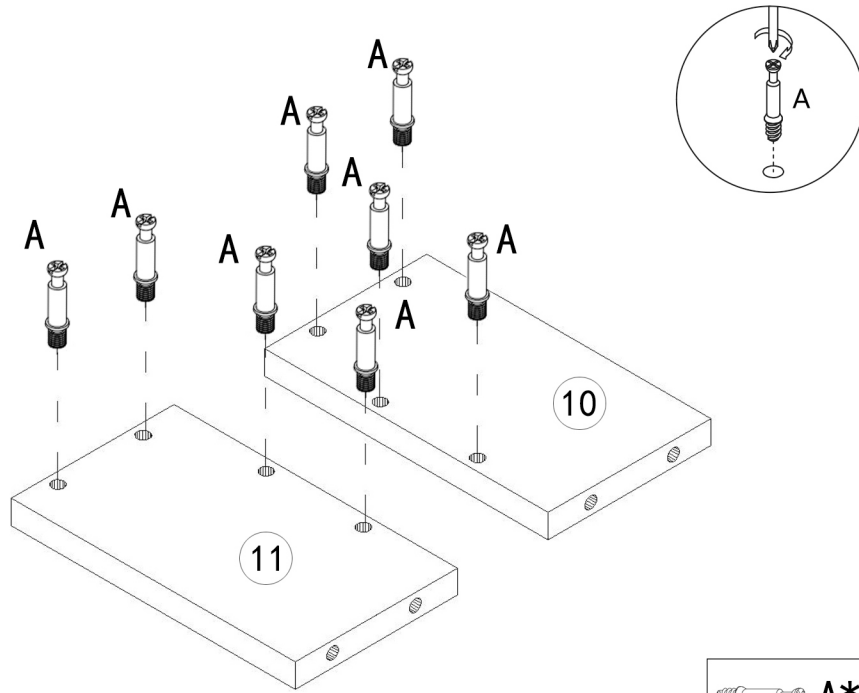
 C*4

STEP 8



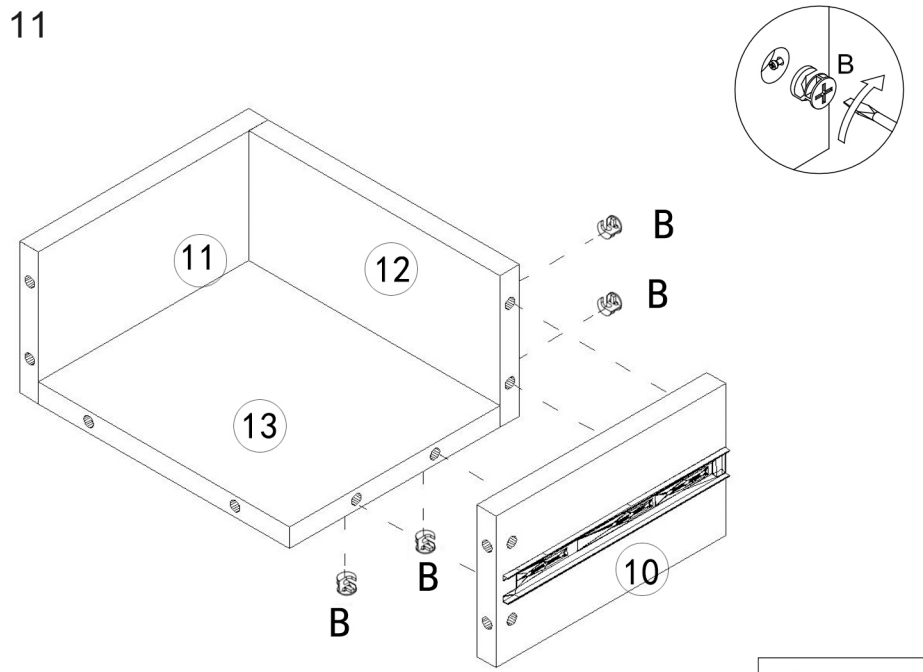
 C*4

STEP 9



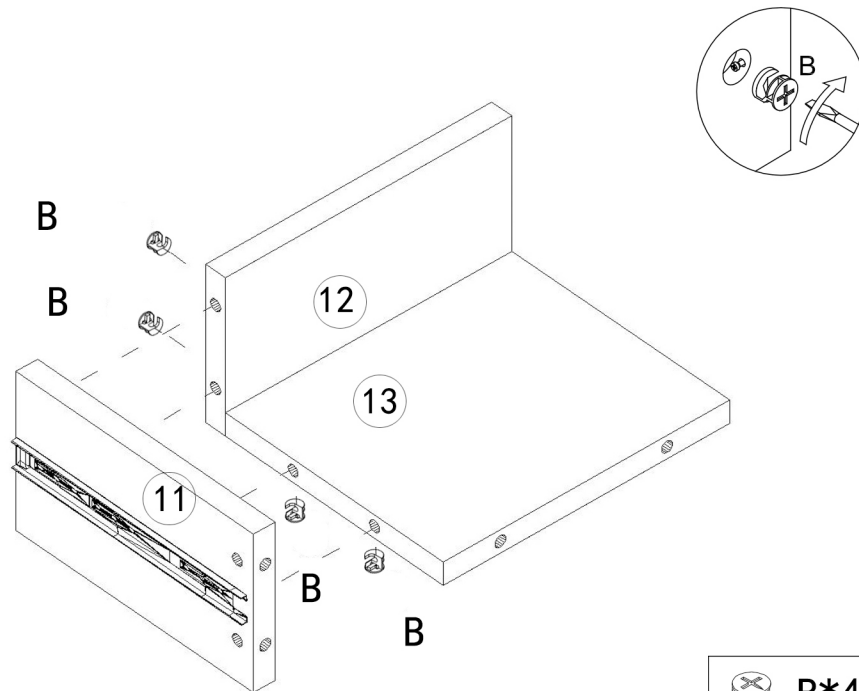
A*8

STEP 11



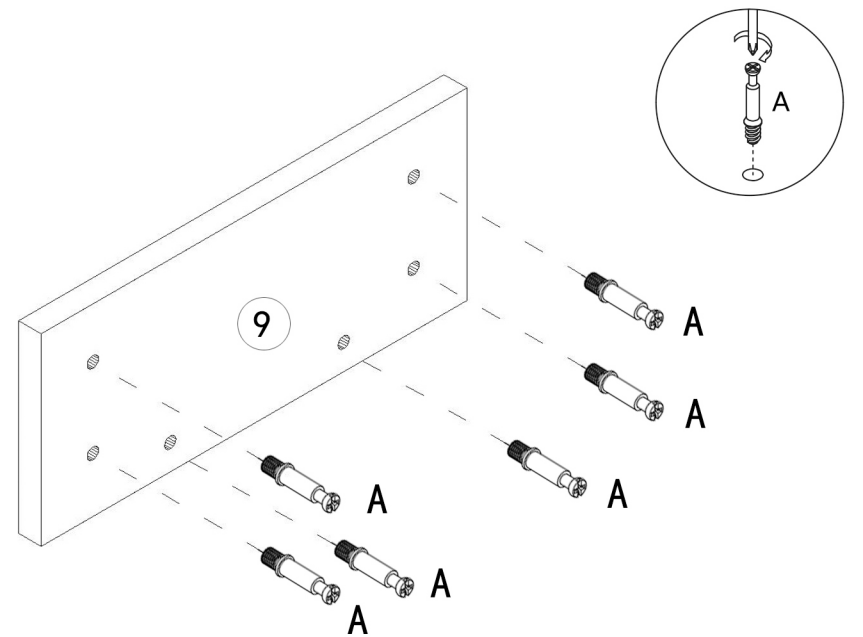
B*4

STEP 10



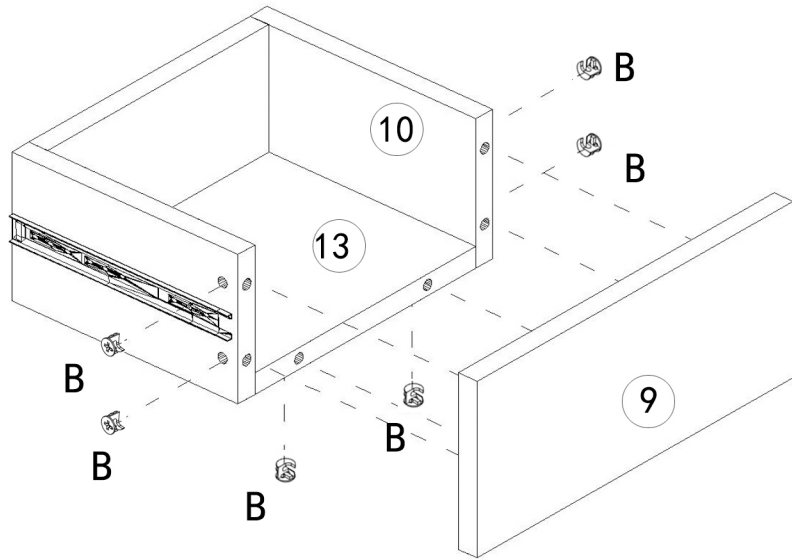
B*4

STEP 12



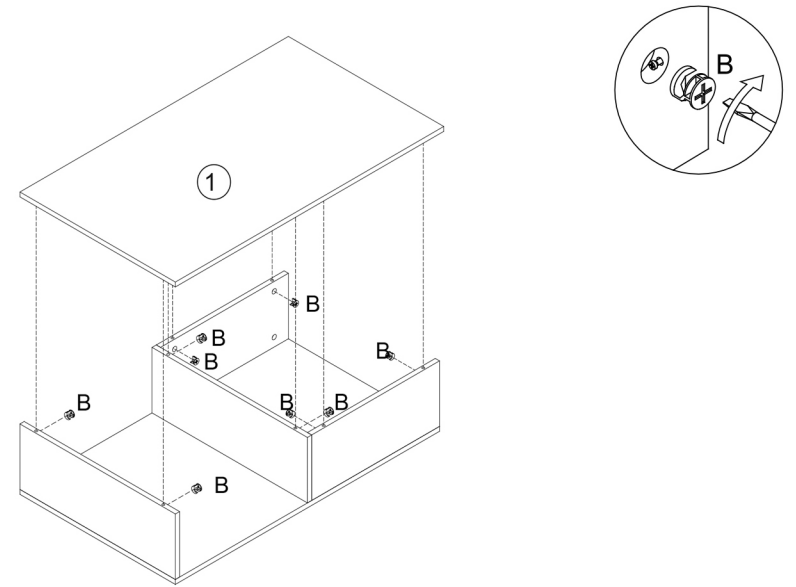
A*6


STEP 13



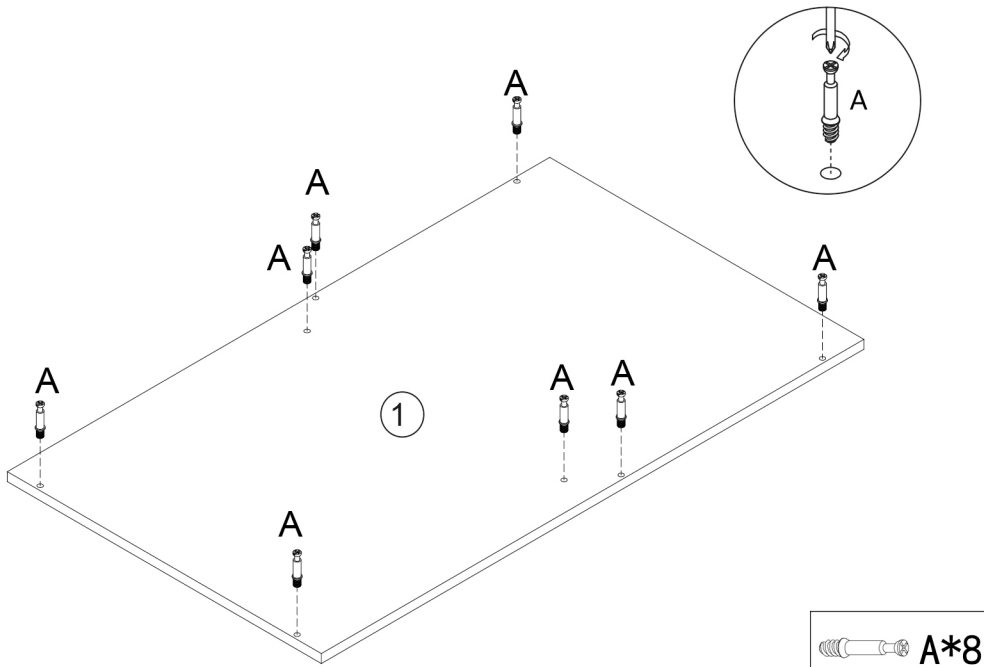
 B*6

STEP 15



 B*8

STEP 14



 A*8

STEP 16

