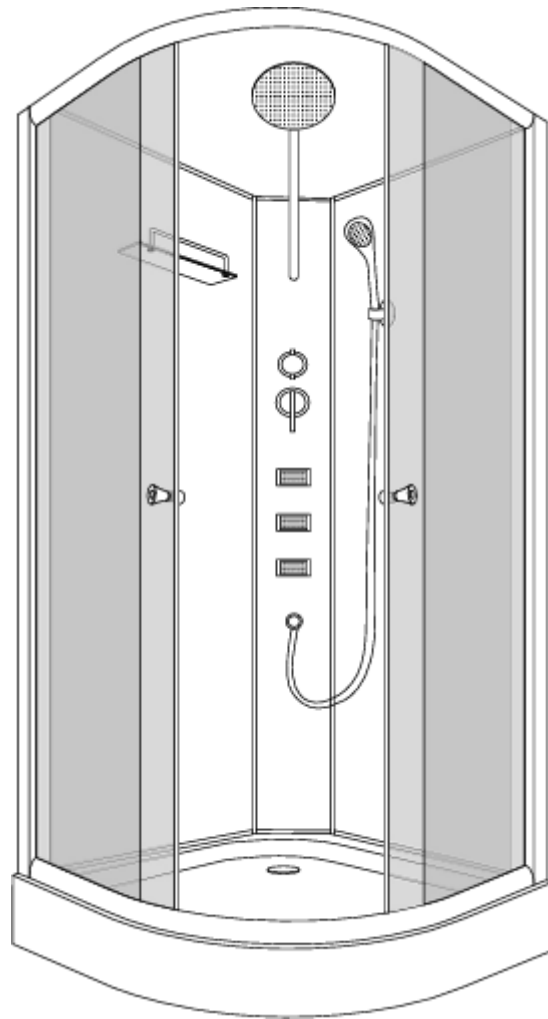
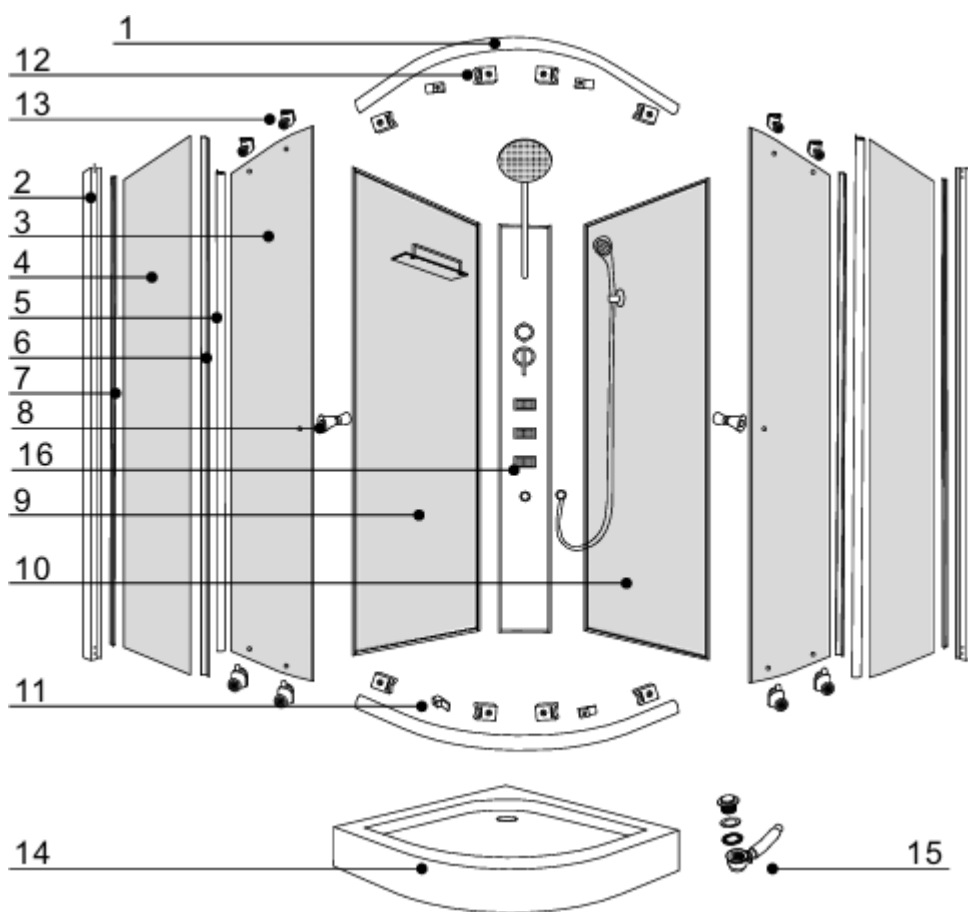


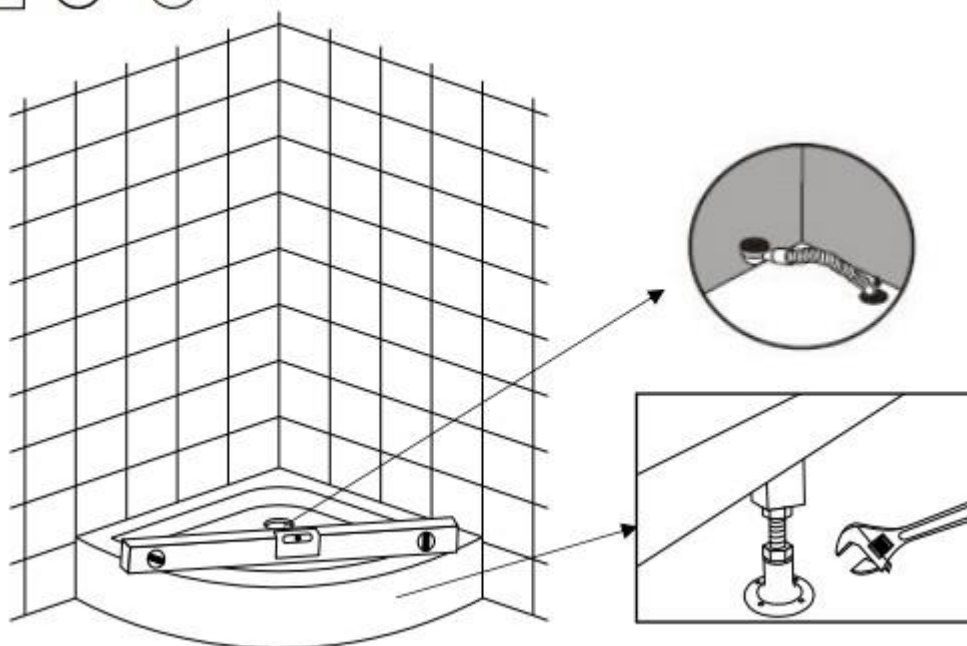
# Setup Guide for round shower frame and base

This is a general guide for all curved shower enclosures. Specific details of individual parts may vary slightly.



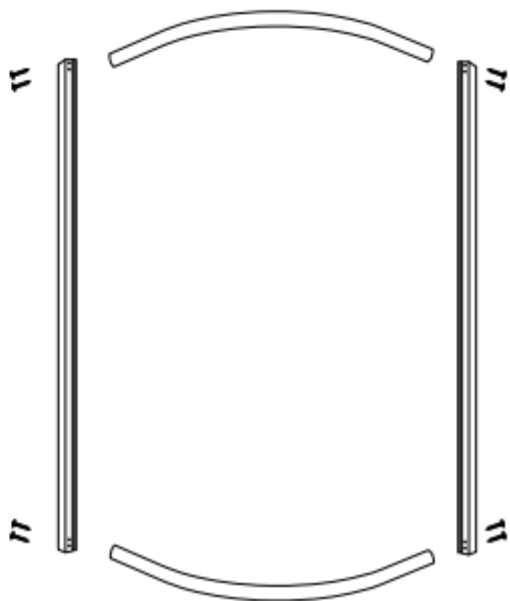


1: ⑭ + ⑮



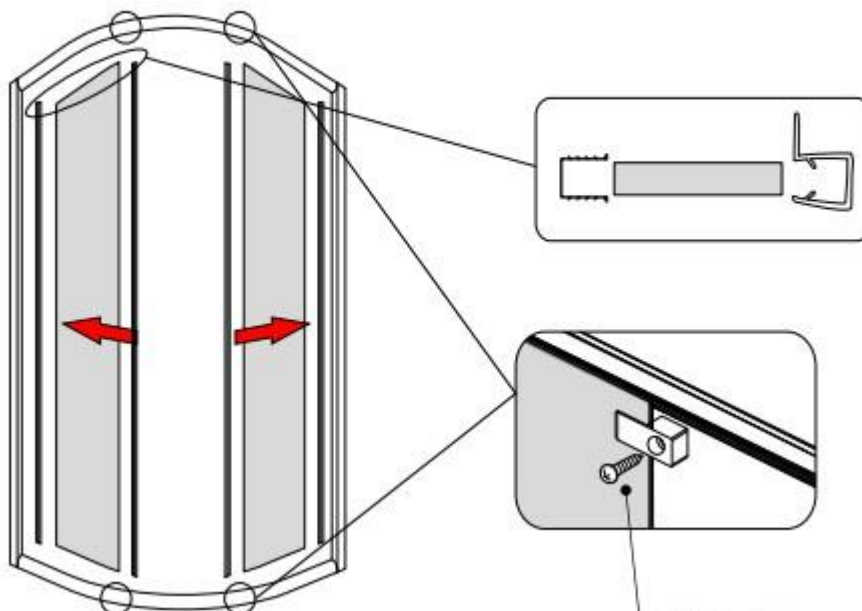
Level the shower tray feet below the base and connect it to your water pipe.

2: ①+②



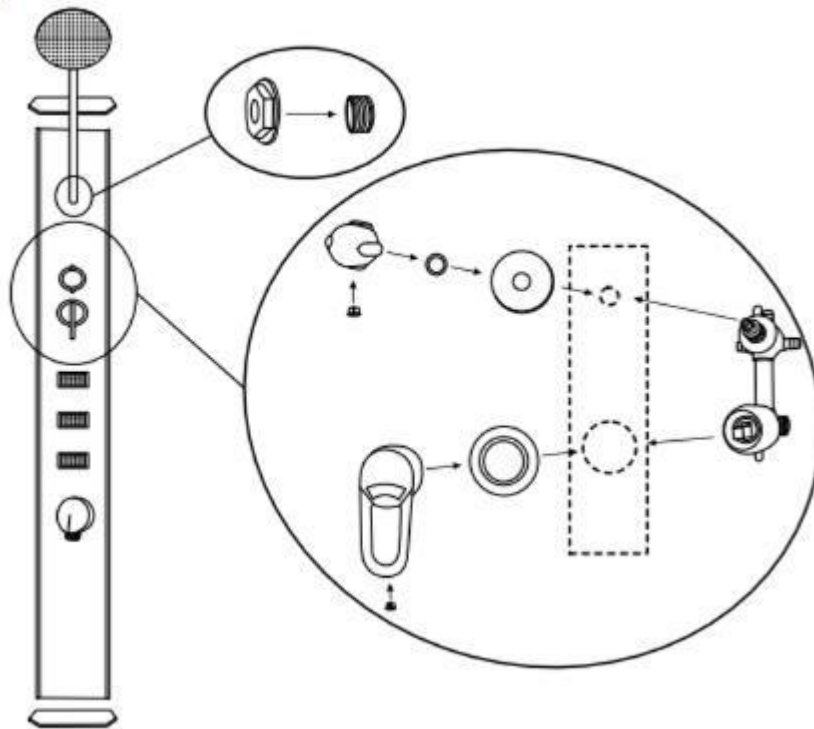
Join the curved rails with the side poles.

3: ④+⑥+⑦+⑪



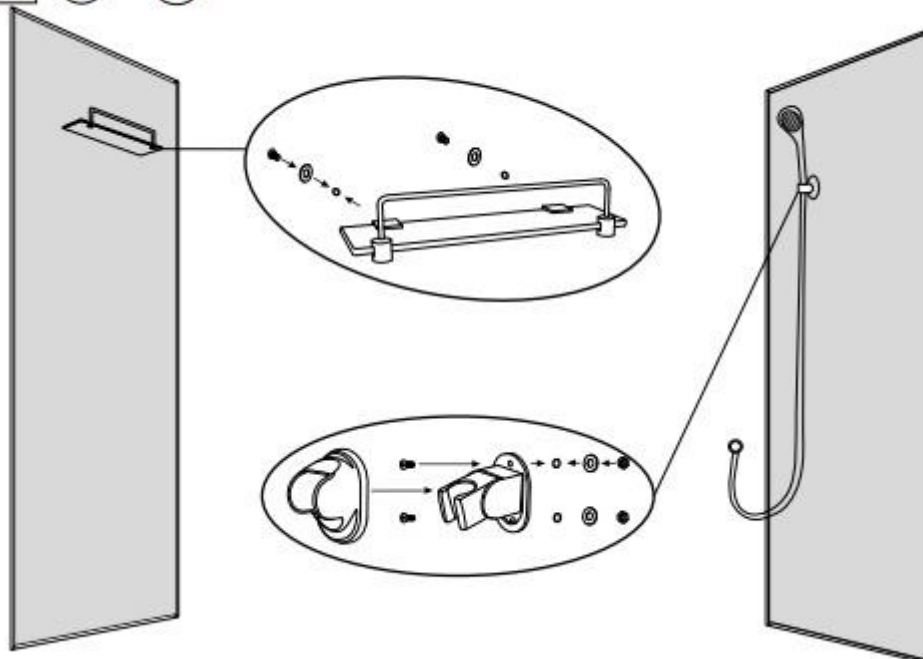
Lock the fixed glass panels. Add water seals to each end.

4: 16

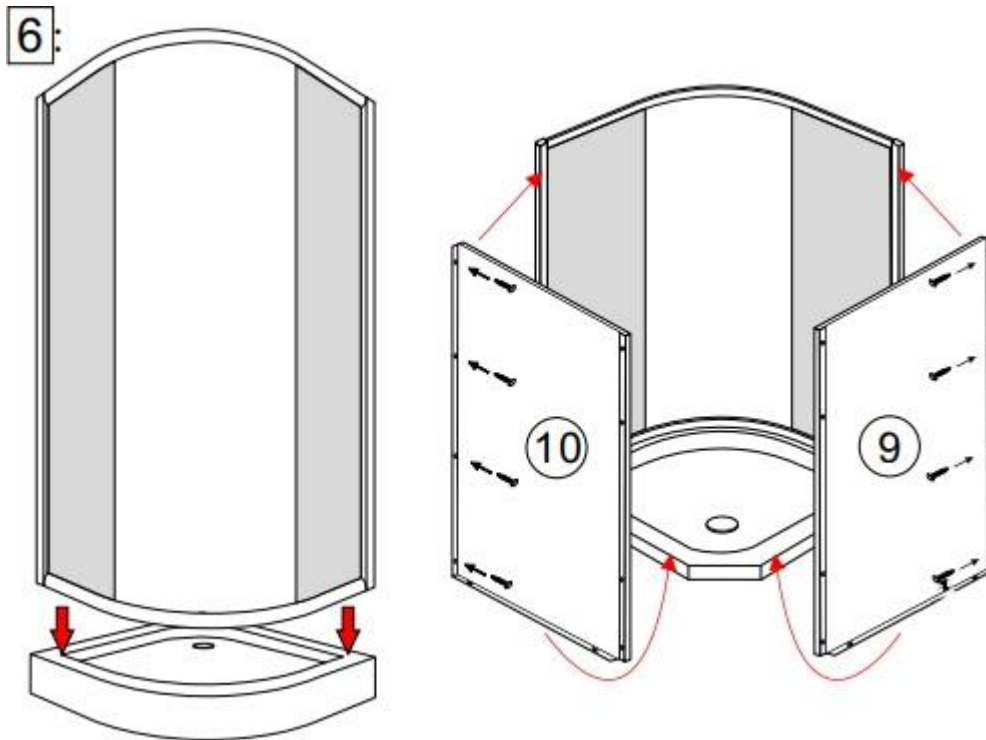


Attach accessories to the middle section.

5: 9 + 10

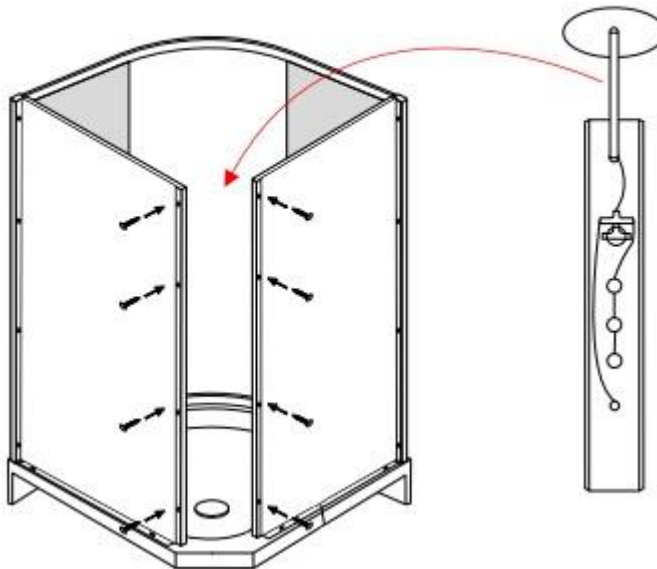


Attach the glass tray and hand hold shower.



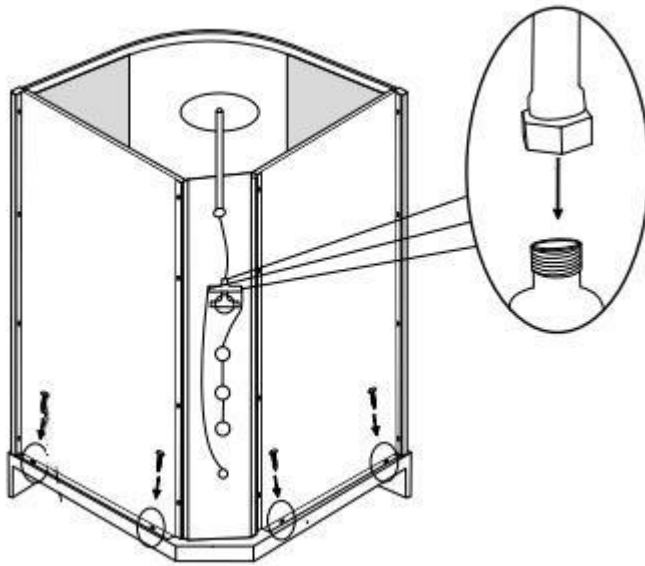
Put the front frame and two rear side panels on top of the shower tray.  
Attach the rear side panels to the front frame.

7: 16



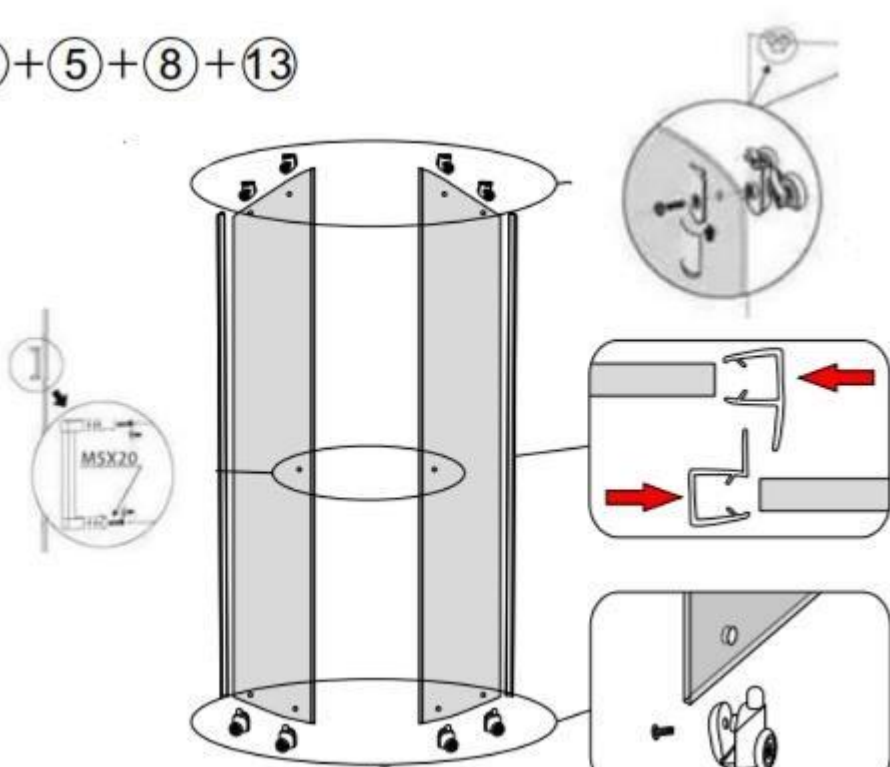
Connect the rear side panels to the middle section by drilling the screws in. Keep in mind that there are no pre-existing screw holes on the middle section.

8:



Secure the rear side panels to the base by screwing them in place. It uses the same method as attaching the panels to the base.

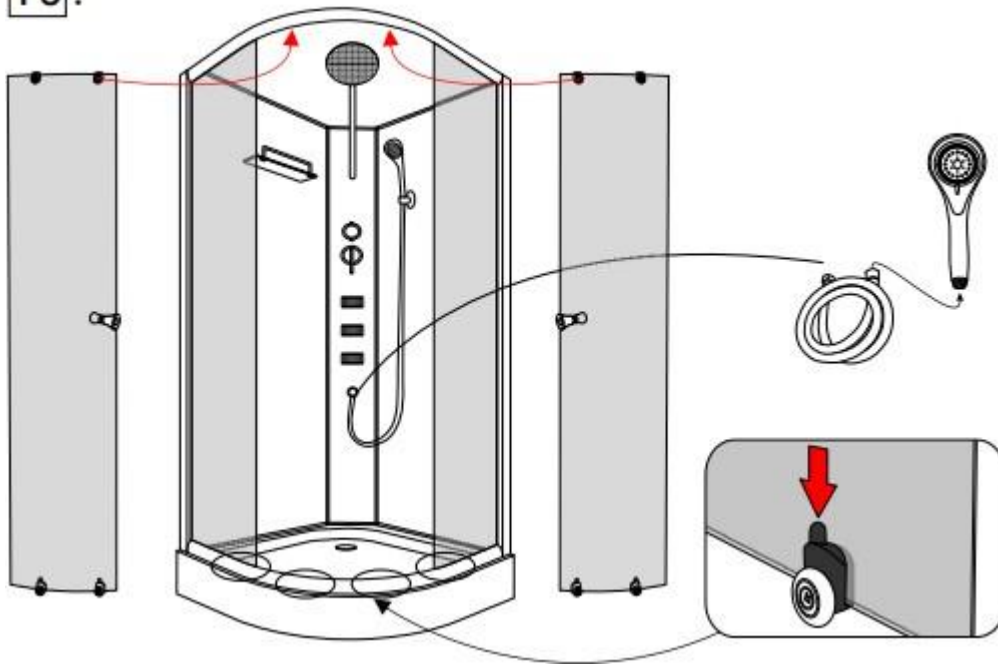
9: ③ + ⑤ + ⑧ + ⑬



Put wheels on the top and bottom of the curved glass panels. Attach the water seal at the back and the magnetic door strips at the front ends.

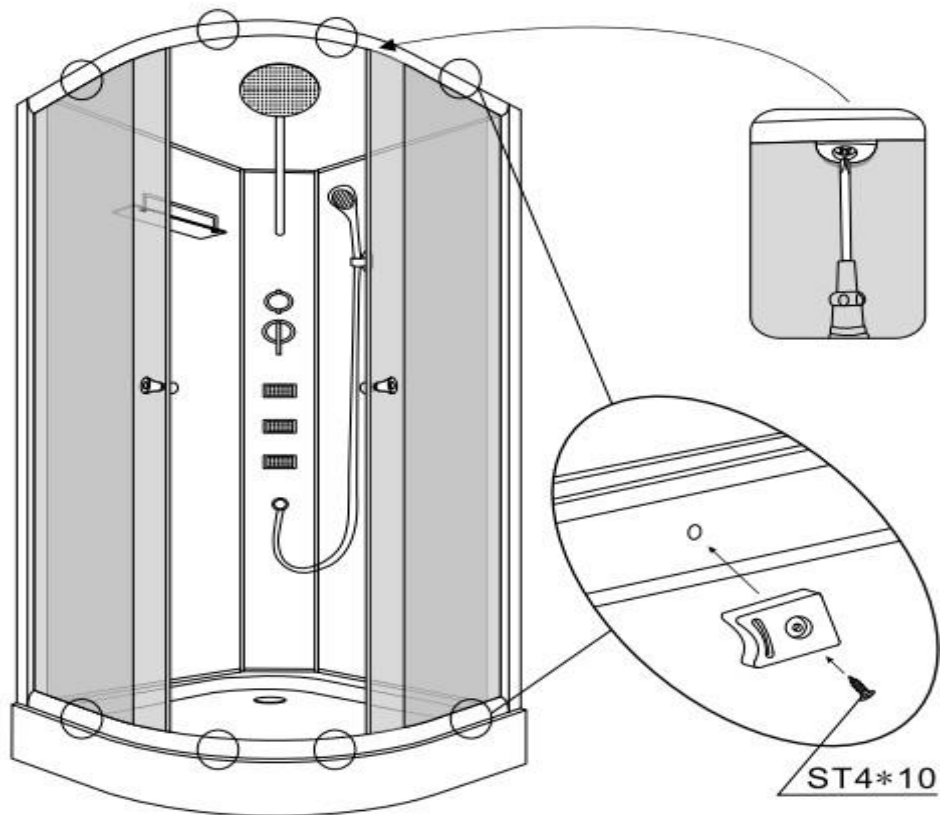
Install the handles. ( Pls note the shape of the handles may vary between batches. )

10:



Attach the front glasses to the frame. Hang the top wheels on the top curved rail. Insert the bottom wheels into the bottom curved rail by pushing button.

11: 12



Attach the panel fixers to lock the glass panels.

Apply silicon along the connection of the glasses with the frame and the shower base