

Setup guide assembly procedure for round shower frame and base



Step 1

Round double sliding door shower model.

Available in 3 sizes and is designed to stand in a corner

800*800*2090 ~ 2290 mm

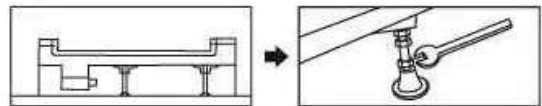
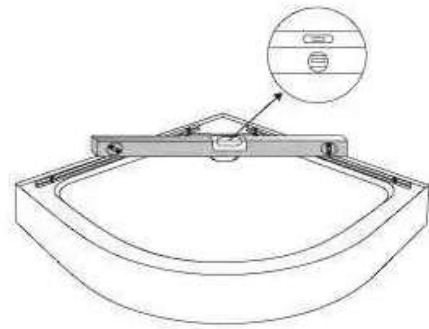
900*900*2090 ~ 2290 mm

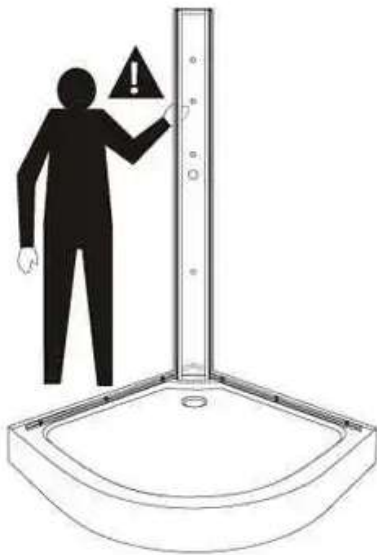
1000*1000*2090 ~ 2290 mm

Step 2

Round shower tray assembly.

Level the shower tray feet below the base and connect it to your waste pipe.





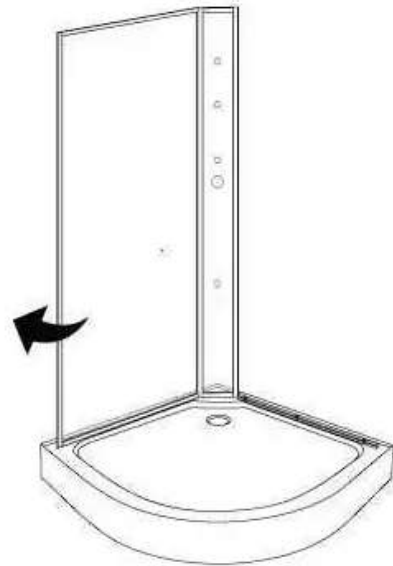
Step 3

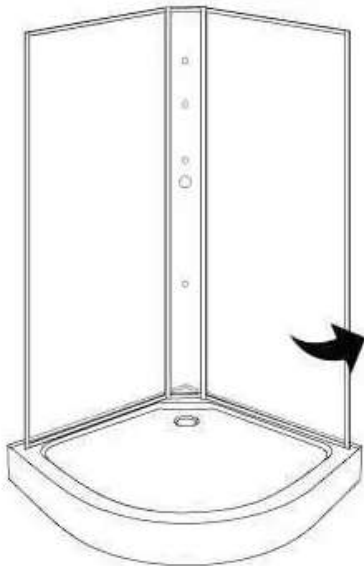
Attach accessories to the rear panel and connect water supply hoses to your water mains.

Test for any leaks on the hoses behind

Step 4

Attach any accessories if the wall has them included.
Lock the side rear wall to the middle panel and rotate until it locks into position.
Bottom of the rear wall aluminium will slide under the aluminium on the base to lock into position.





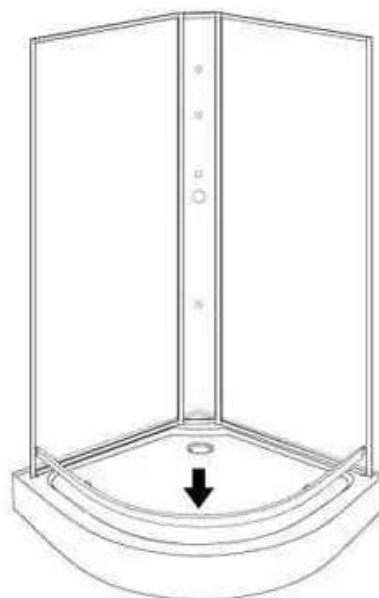
Step 5

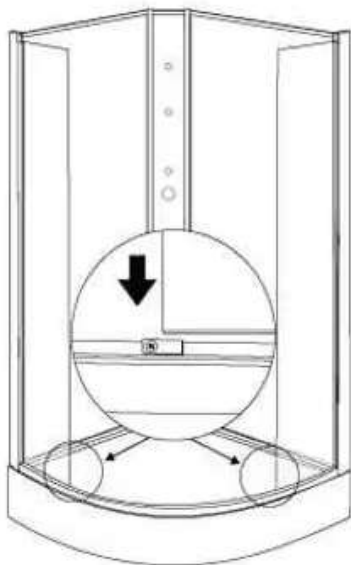
Attach any accessories if the wall has them included.
Lock the 2nd rear wall to the middle panel and rotate until it locks into position.

Bottom of the rear wall aluminium will slide under the aluminium on the base to lock into position.

Step 6

Place one of the curved rails at the front of the shower tray with the flat side down.





Step 7

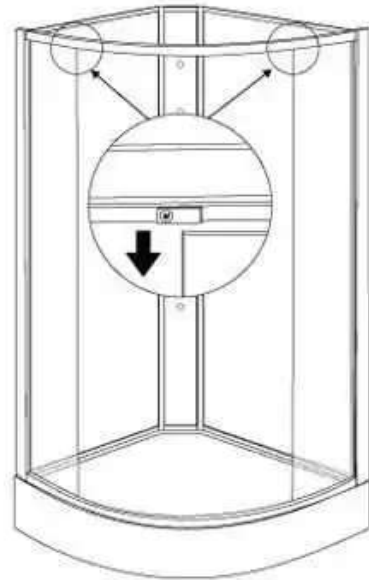
Lock the front fixed glass to the rear side wall and rotate until it locks into position.

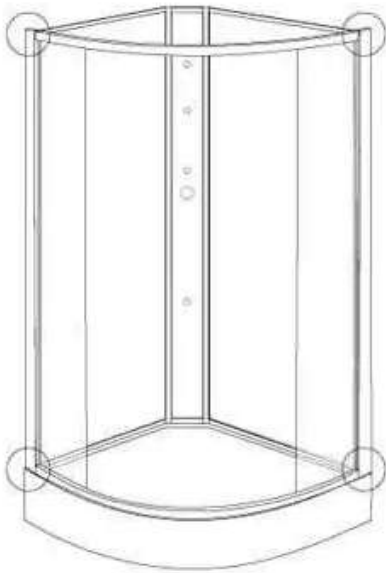
Slide the fixed glass panel down the rear side so the cut-out on the front glass aluminium slides over the block on the curved rail.

Place the glass panel behind the block on the curved rail to lock into position

Step 8

Slide the top curved rail so the block slides into the slot of the front fixed glass aluminium.
Lock the glass panels behind the blocks on the curved rail.



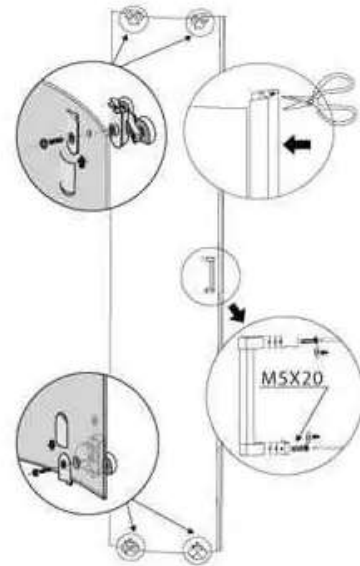


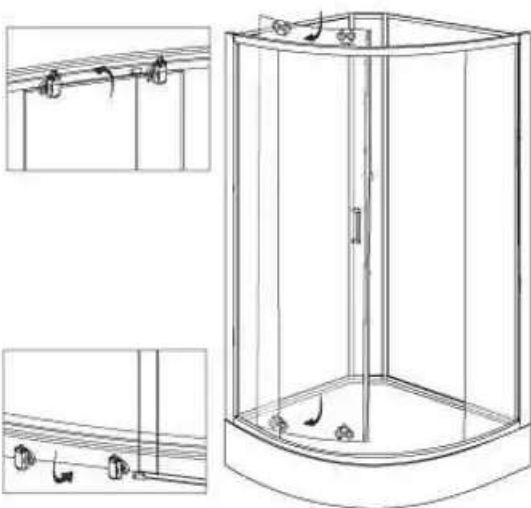
Step 9

Slide the locking blocks on each corner of the curved rail to lock the curved rails to the frame.

Step 10

1. Top wheels are for adjusting the level and height of the doors, the screw below the wheel is what is used to raise and lower the door panel.
2. Bottom wheels are the push button for quick release, by pushing the button you lower the wheel so it goes under the track, by releasing the button the wheel will spring back up into the track.
3. Attach the magnetic door strips and trim to length.
4. Attach the door handles.





Step 11

1. Hang the top wheels on the top curved rail.
2. Insert the bottom wheels into the bottom curved rail by pushing buttons.
3. If the bottom wheels do not spring back up into the curved rail, or the door is not level, adjust the top wheel from the screw below the wheel.